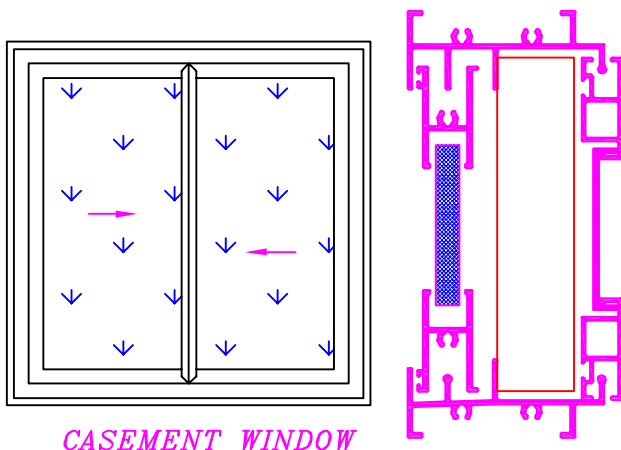
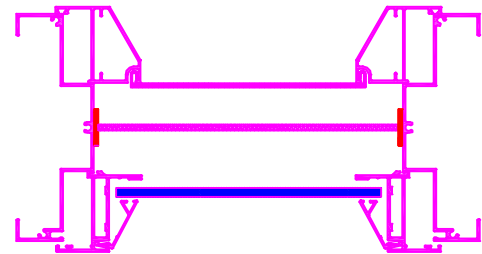
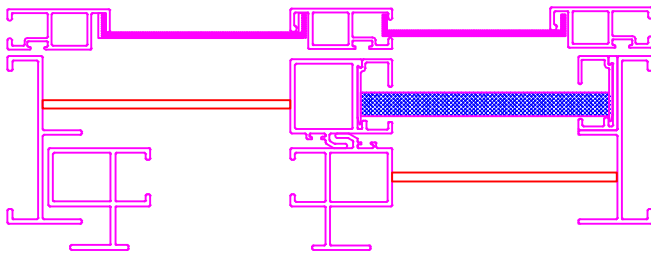
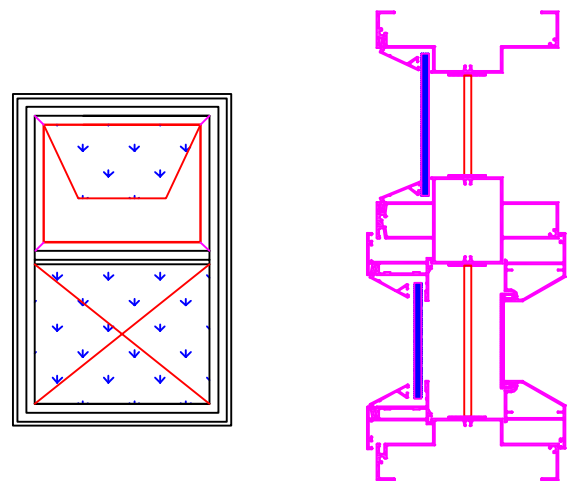


CASEMENT WINDOW

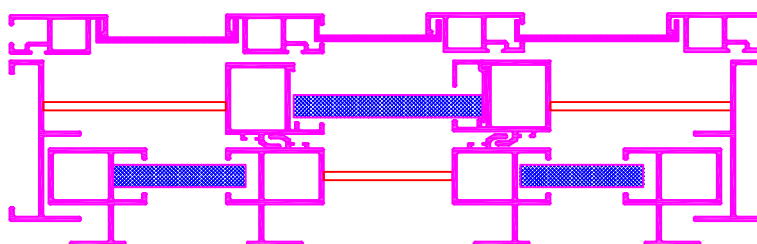
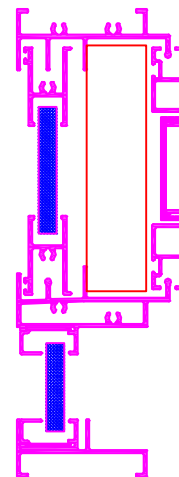
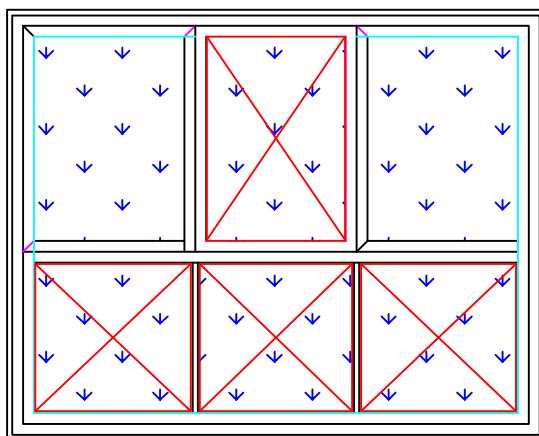


CASEMENT WINDOW

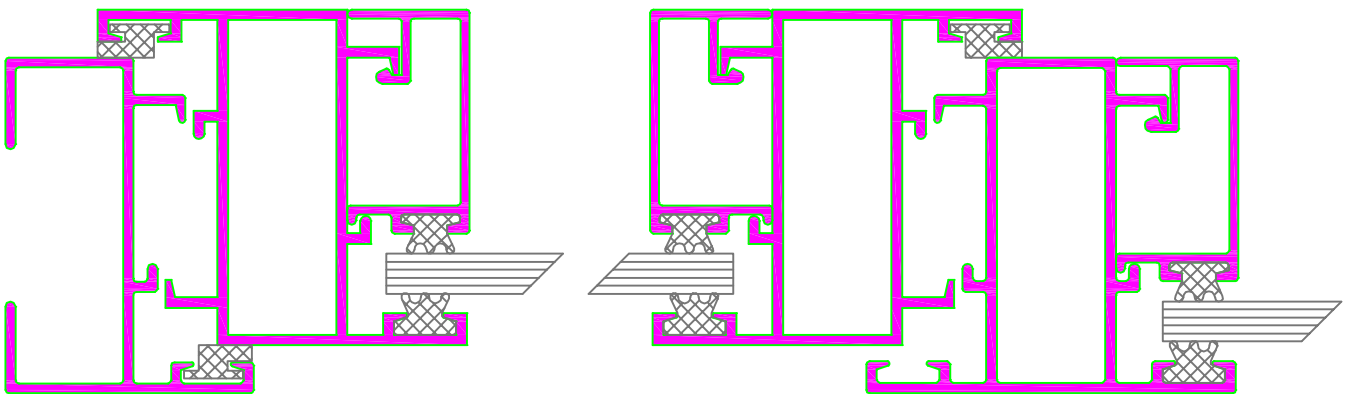
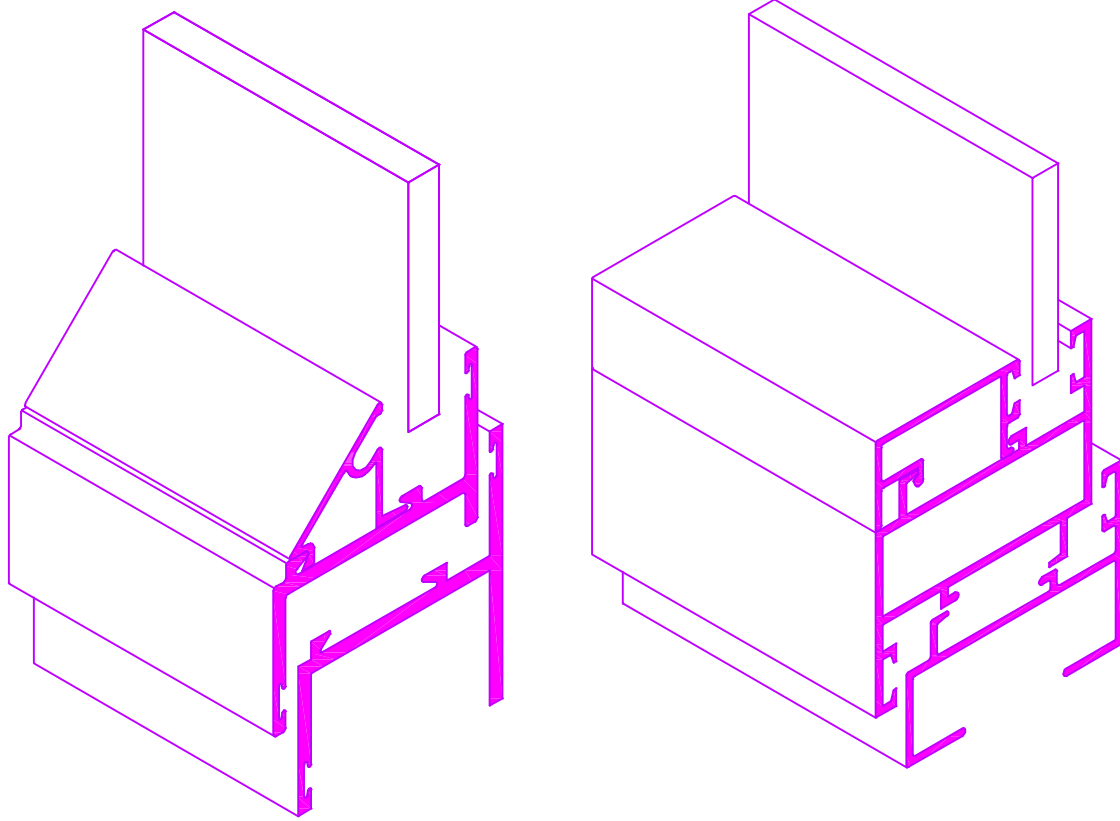


A **CASEMENT WINDOW** (OR **CASEMENT**) IS A WINDOW THAT IS ATTACHED TO ITS FRAME BY ONE OR MORE HINGES. CASEMENT WINDOWS ARE HINGED AT THE SIDE. (WINDOWS HINGED AT THE TOP ARE REFERRED TO AS AWNING WINDOWS. ONES HINGED AT THE BOTTOM ARE CALLED HOPPERS.) THEY ARE USED SINGLY OR IN PAIRS WITHIN A COMMON FRAME, IN WHICH CASE THEY ARE HINGED ON THE OUTSIDE. CASEMENT WINDOWS ARE OFTEN HELD OPEN USING A CASEMENT STAY.

CASEMENT WINDOWS USUALLY WERE HINGED ON THE SIDE, AND OPENED INWARD. THE WINDOWS WERE COVERED BY FUNCTIONAL EXTERIOR SHUTTERS.



CASEMENT WINDOW

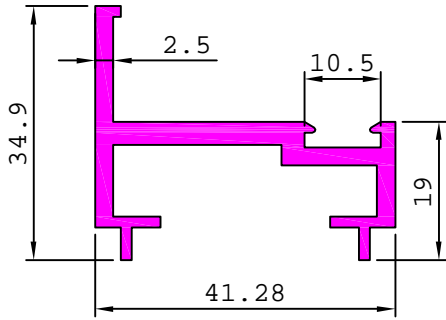


CASEMENT WINDOW

(SERIES -A)

20628

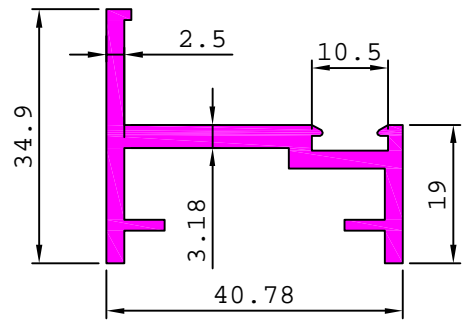
0.714 kg/m



MATCHING WITH 19359

20629

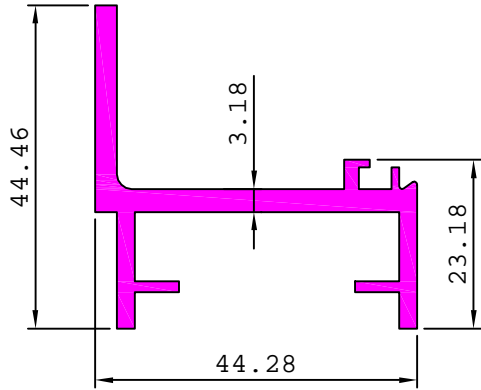
0.711 kg/m



MATCHING WITH 19359

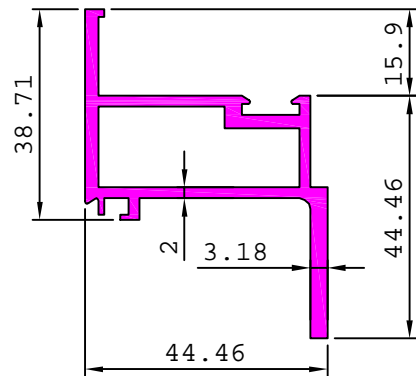
20630

0.889 kg/m



20641

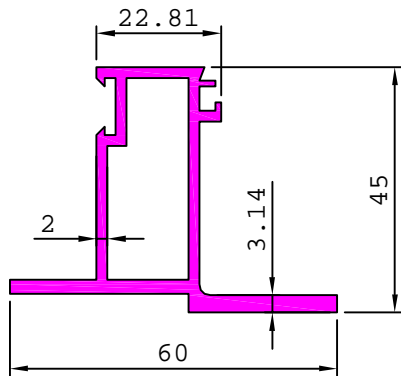
1.072 kg/m



MATCHING WITH 19359

20727

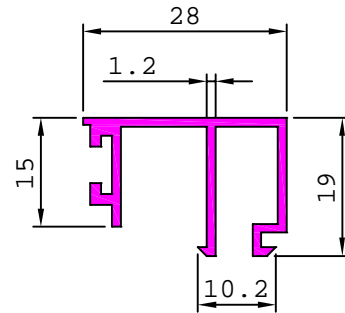
1.053 kg/m



MATCHING WITH 19359

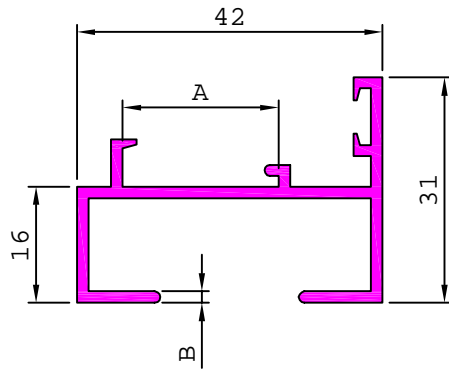
19359

0.301 kg/m

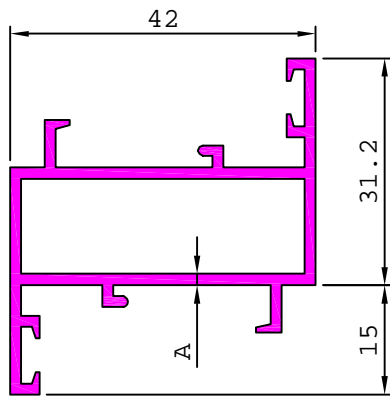


CASEMENT WINDOW

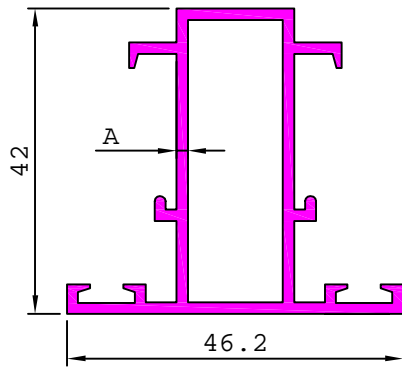
(SERIES -B)



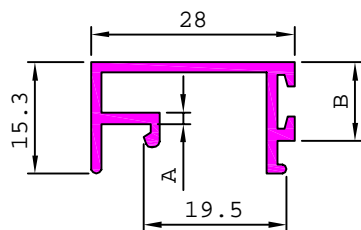
SL. No.	Section No.	A	B	Weight kg/m
1	20942	22.10	1.25	0.434
2	20558	21.40	1.60	0.534



SL. No.	Section No.	A	Weight kg/m
1	20943	1.35	0.651
2	20559	1.50	0.724



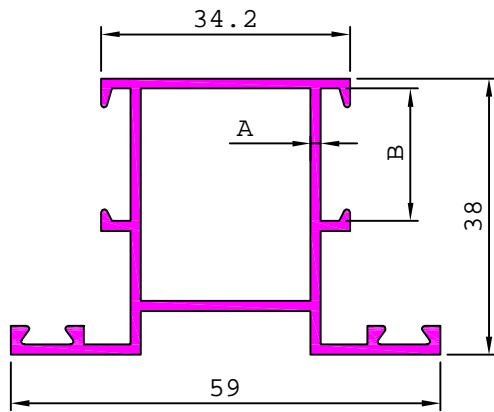
SL. No.	Section No.	A	Weight kg/m
1	20944	1.35	0.651
2	20560	1.60	0.758



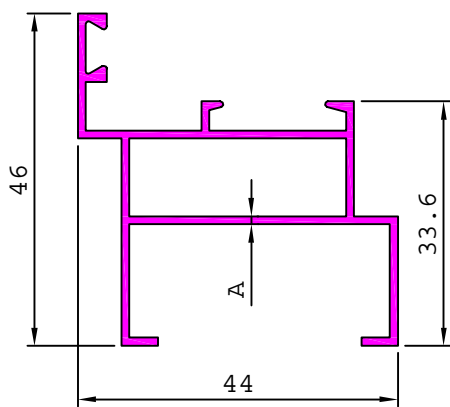
SL. No.	Section No.	A	B	Weight kg/m
1	19392	1.11	9.80	0.224
2	19391	1.60	10.80	0.289

CASEMENT WINDOW

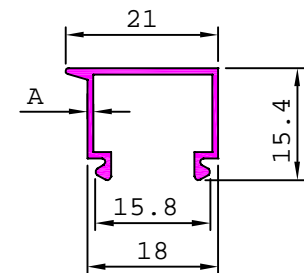
(SERIES -C)



SL. No.	Section No.	A	B	Weight kg/m
1	20720	1.40	18.20	0.729
2	21285	1.60	17.80	0.807
3	21938	2.50	18.20	1.101



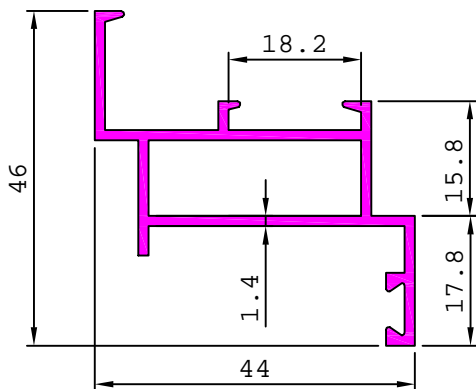
SL. No.	Section No.	A	Weight kg/m
1	20903	1.10	0.522
2	21286	1.40	0.649
3	21939	2.50	1.030



SL. No.	Section No.	A	Weight kg/m
1	19362	0.60	0.108
2	19369	0.85	0.137

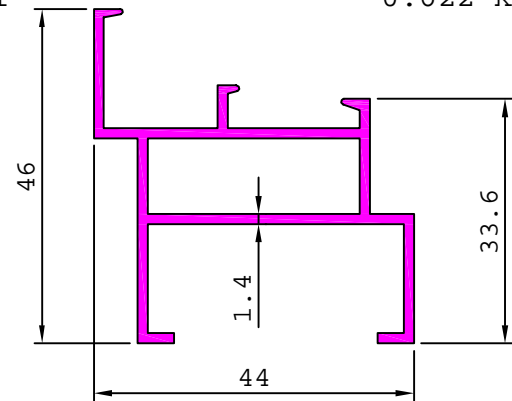
20719

0.575 kg/m



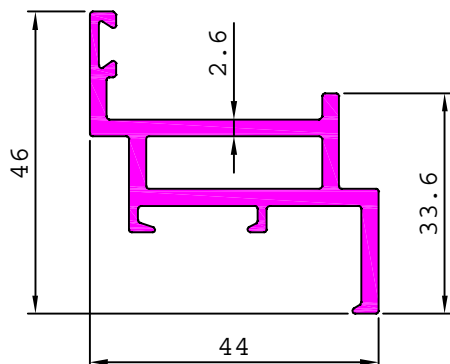
20721

0.622 kg/m



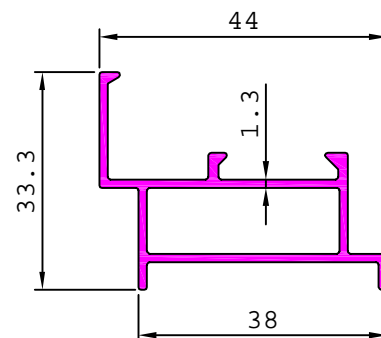
21252

0.946 kg/m



20935

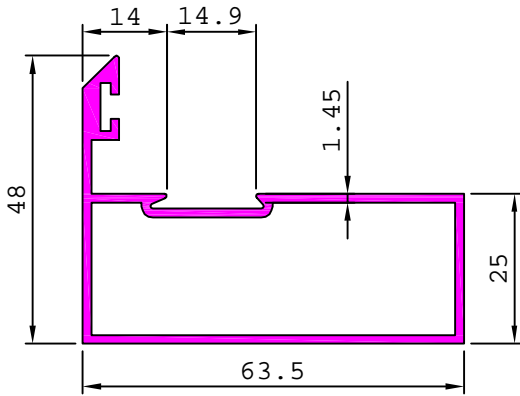
0.476 kg/m



CASEMENT WINDOW

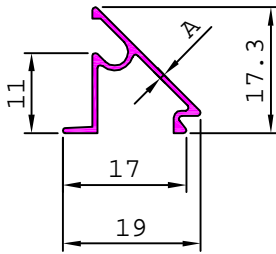
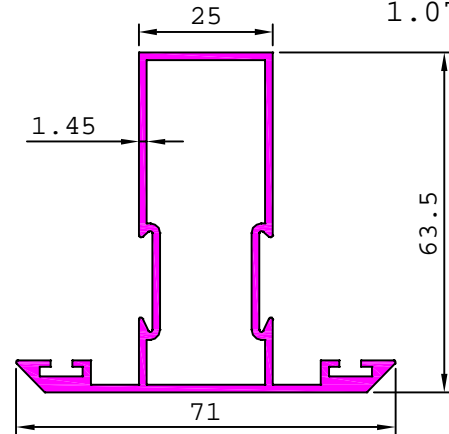
20824

0.870 kg/m



21310

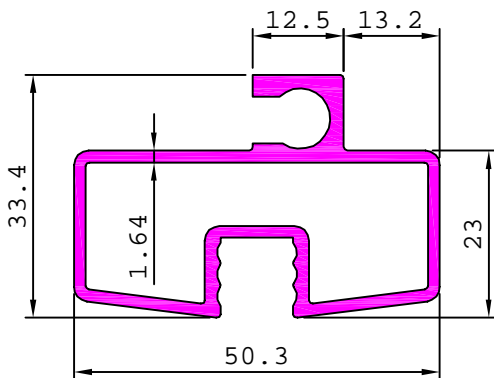
1.071 kg/m



SL. No.	Section No.	A	Weight kg/m
1	19352	0.70	0.097
2	19370	0.80	0.109
3	19360	0.90	0.124

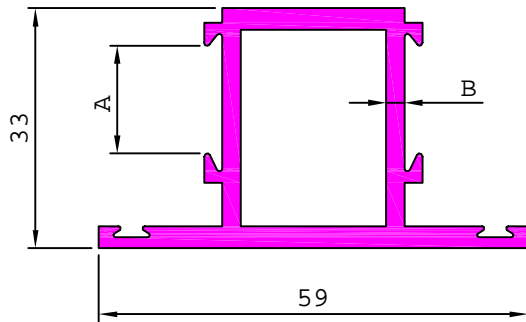
20825

0.854 kg/m

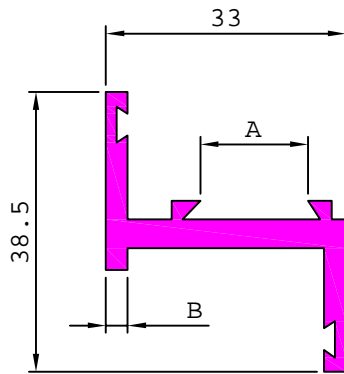


CASEMENT WINDOW

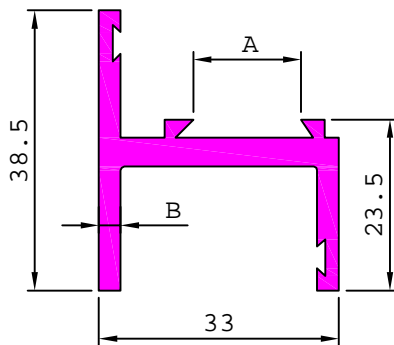
(SERIES -33 mm.)



SL. No.	Section No.	A	B	Weight kg/m
1	20941	14.80	2.10	0.851
2	20510	14.82	2.50	1.123



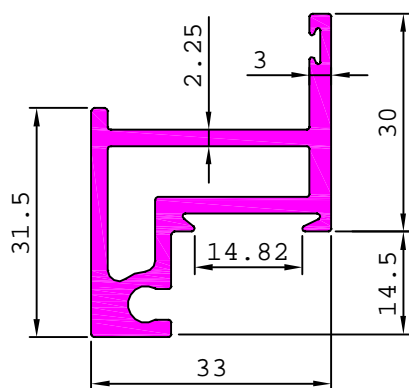
SL. No.	Section No.	A	B	Weight kg/m
1	20940	14.80	1.95	0.407
2	20509	14.82	3.00	0.663



SL. No.	Section No.	A	B	Weight kg/m
1	20949	14.80	2.03	0.497
2	20948	14.80	2.56	0.606
3	20585	14.82	3.00	0.776

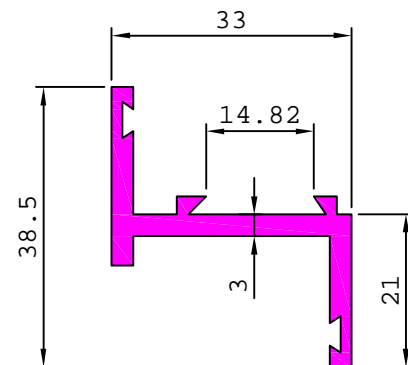
20512

0.914 kg/m



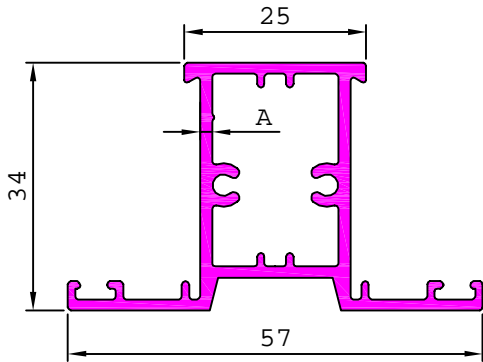
20640

0.590 kg/m

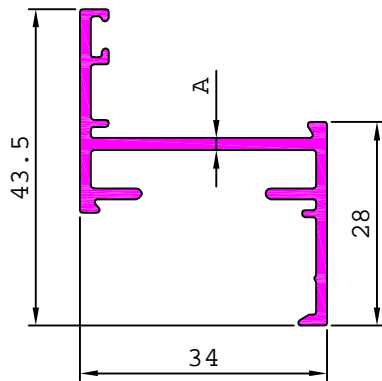


CASEMENT WINDOW

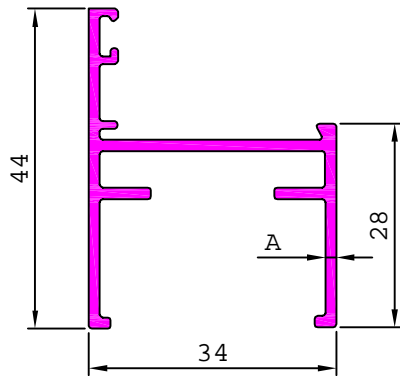
(SERIES -34 mm.)



SL. No.	Section No.	A	Weight kg/m
1	21140	1.40	0.701
2	20915	1.70	0.766
3	21097	2.00	0.924

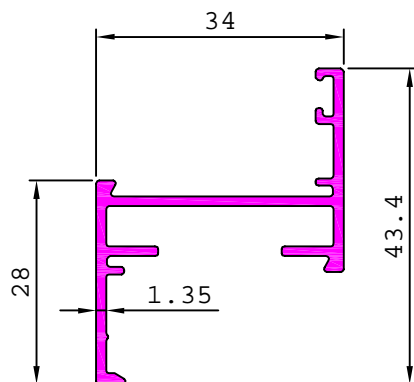


SL. No.	Section No.	A	Weight kg/m
1	20914	1.70	0.473
2	21095	2.00	0.548

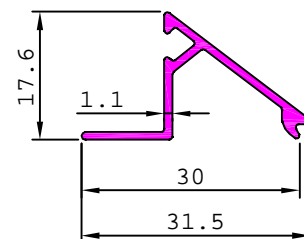


SL. No.	Section No.	A	Weight kg/m
1	21141	1.35	0.473
2	20913	1.50	0.527
3	21096	2.00	0.635

21142 0.425 kg/m



19375 0.175 kg/m



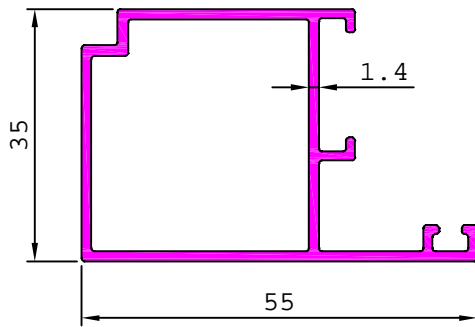
MATCHING WITH 20913,20914,20915

CASEMENT WINDOW

(SERIES -35 mm.)

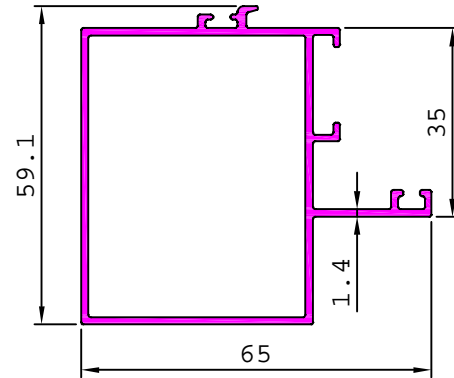
21523

0.656 kg/m



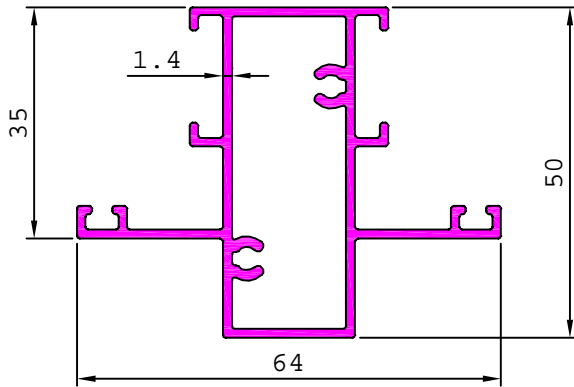
21524

0.923 kg/m



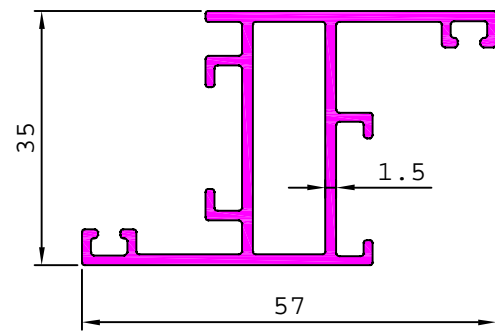
21560

0.921 kg/m



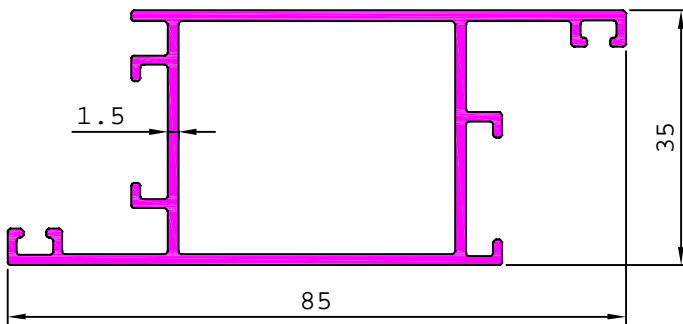
21537

0.725 kg/m



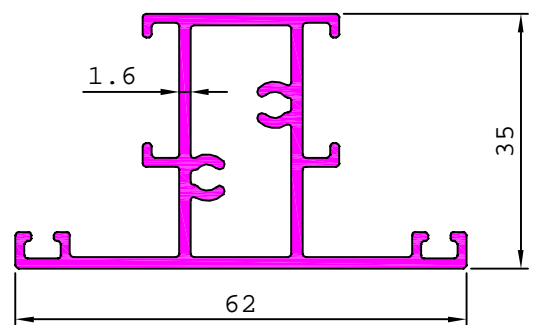
21538

0.945 kg/m



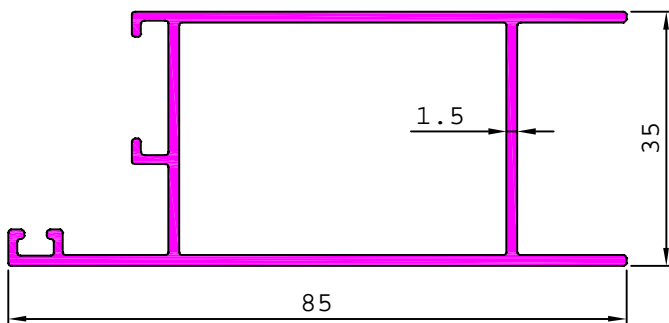
21547

0.839 kg/m



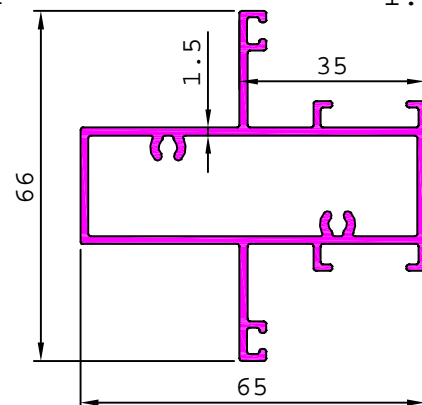
21573

0.936 kg/m



21551

1.101 kg/m

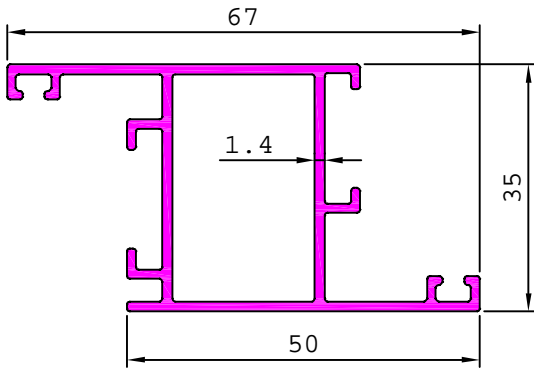


CASEMENT WINDOW

(SERIES -35 mm.)

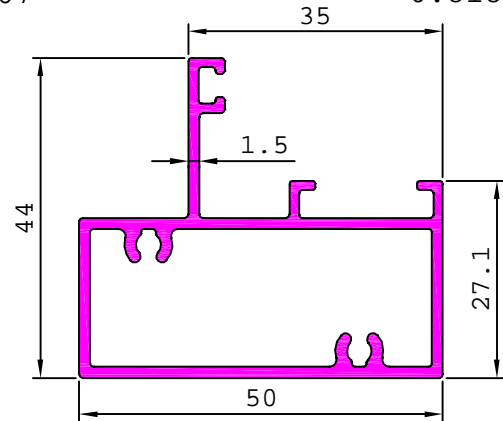
21567

0.768 kg/m



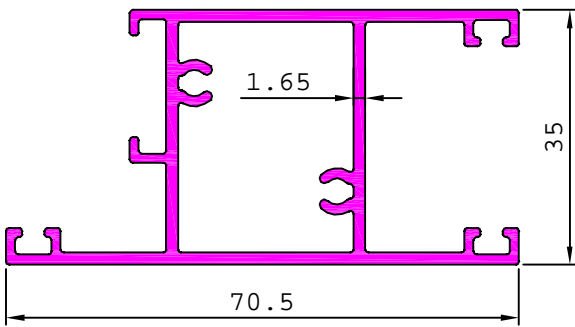
21867

0.818 kg/m



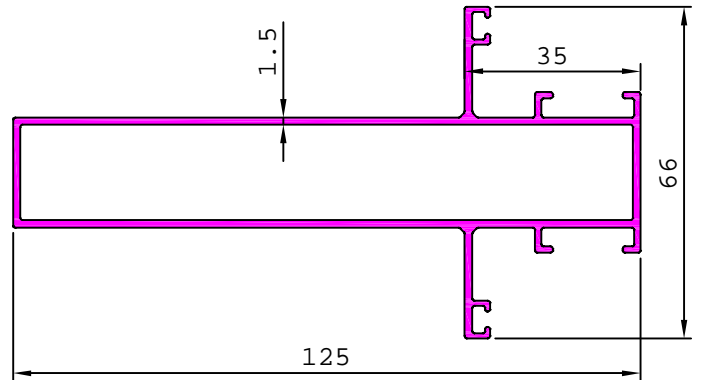
21690

1.015 kg/m



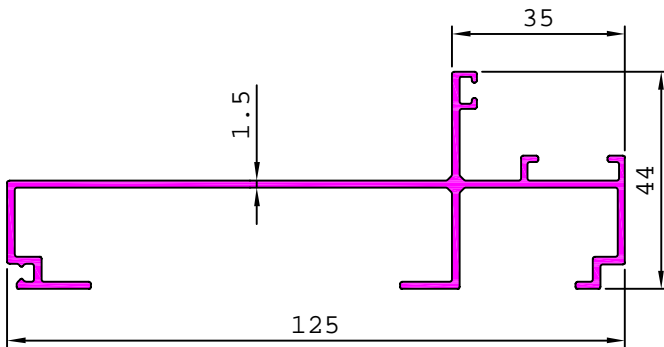
S5529

1.498 kg/m



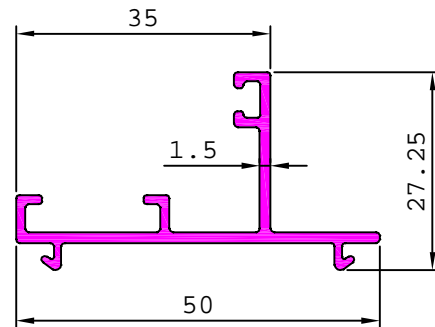
S5528

1.080 kg/m



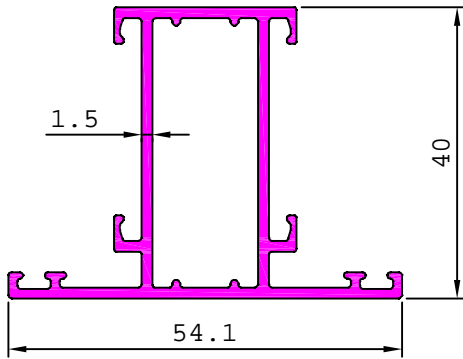
21868

0.403 kg/m



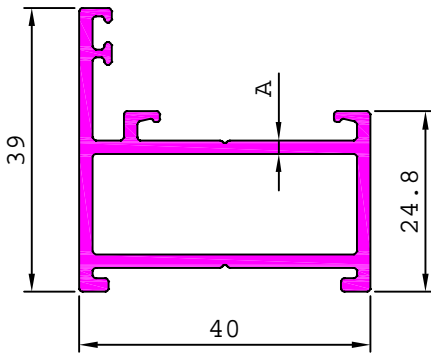
CASEMENT WINDOW

(SERIES -40 mm.)



SL. No.	Section No.	A	Weight kg/m
1	21845	1.50	0.736
2	S6630	3.00	1.129

MATCHING WITH 19422 & S5179

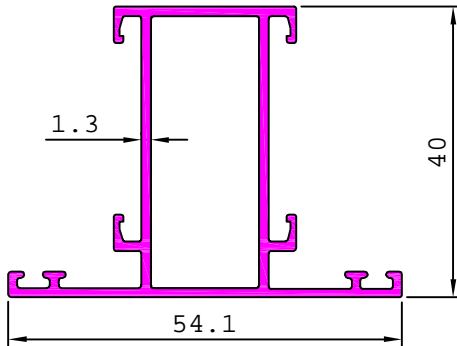


SL. No.	Section No.	A	Weight kg/m
1	S6629	3.00	1.063
2	21284	1.85	0.767

MATCHING WITH 19422 & S5179

21801

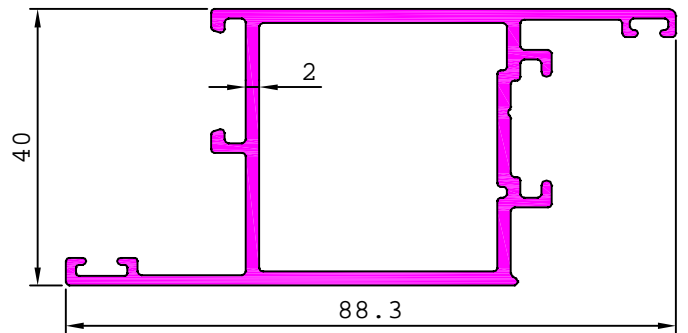
0.648 kg/m



MATCHING WITH S5179

21836

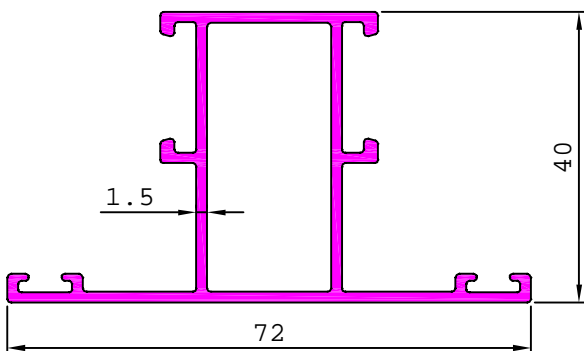
1.183 kg/m



MATCHING WITH S5146

21838

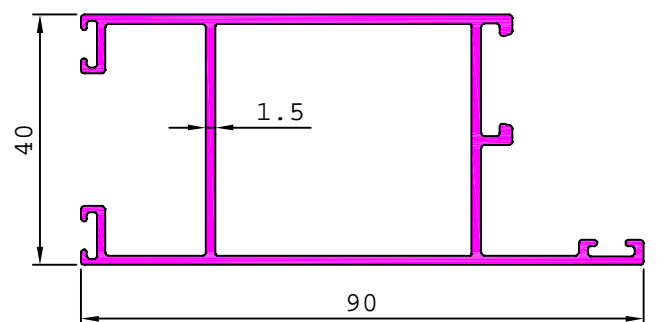
0.840 kg/m



MATCHING WITH S5146

21839

1.085 kg/m

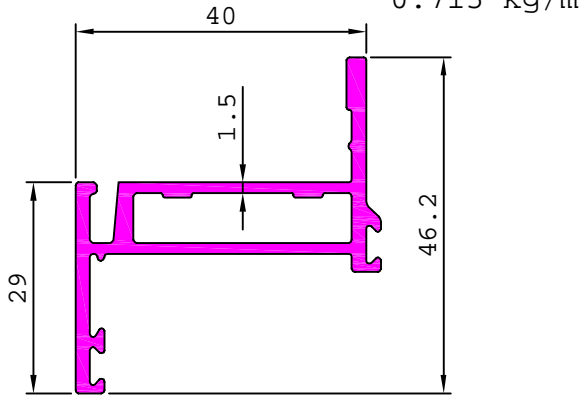


MATCHING WITH S5146

CASEMENT WINDOW

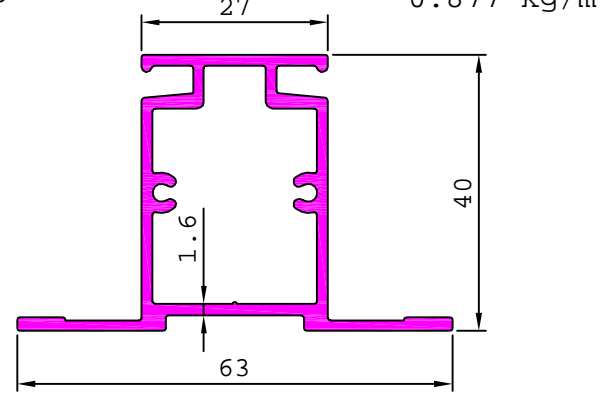
(SERIES -40 mm.)

20899



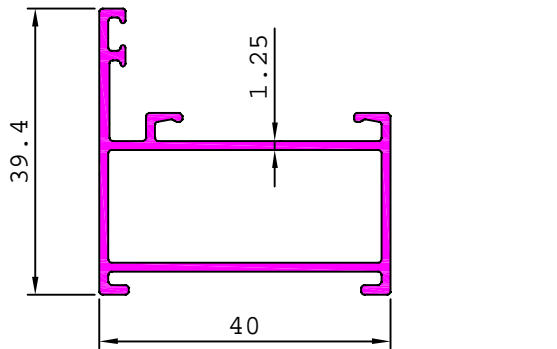
0.715 kg/m

20916



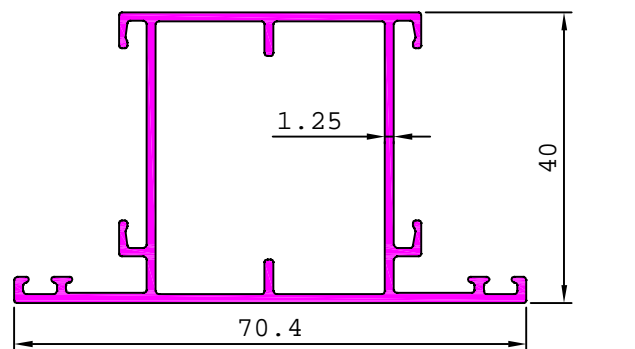
0.877 kg/m

S5180



0.550 kg/m

S5181

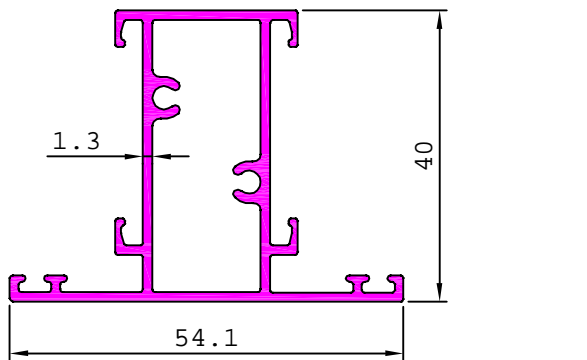


0.782 kg/m

MATCHING WITH S5179

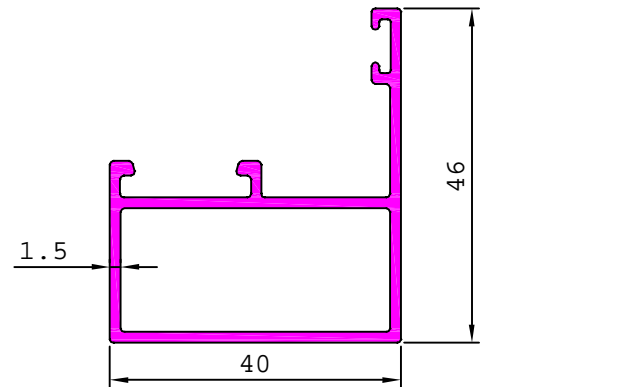
MATCHING WITH S5179

S6353



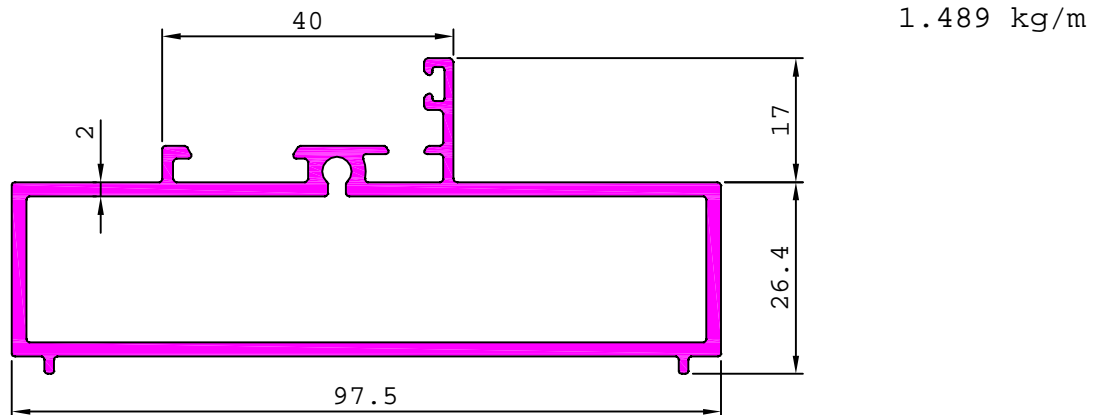
0.709 kg/m

21829



0.651 kg/m

S6321



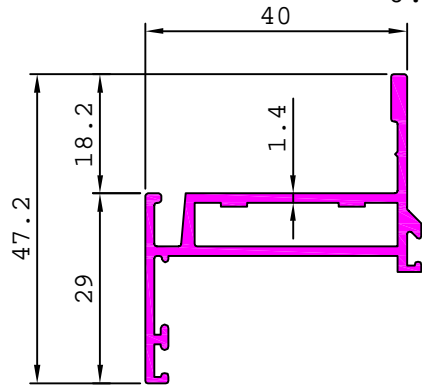
1.489 kg/m

CASEMENT WINDOW

(SERIES -40 mm.)

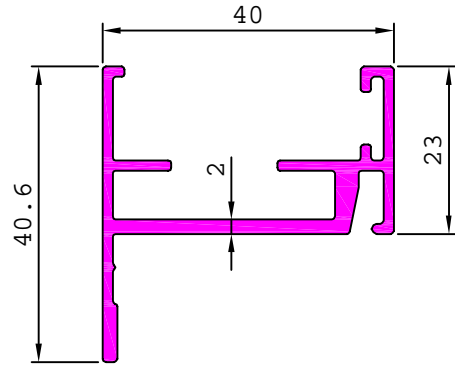
20918

0.606 kg/m



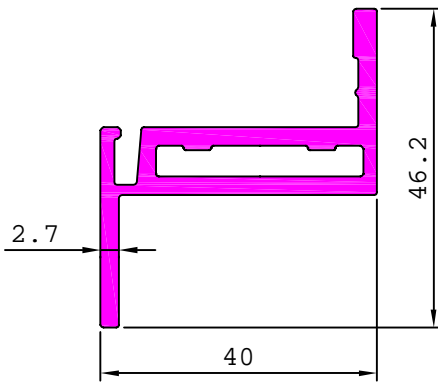
20919

0.607 kg/m



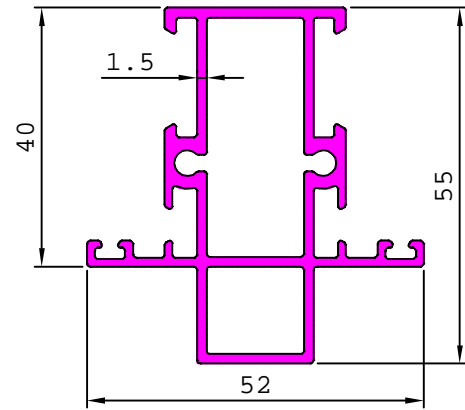
21613

0.920 kg/m



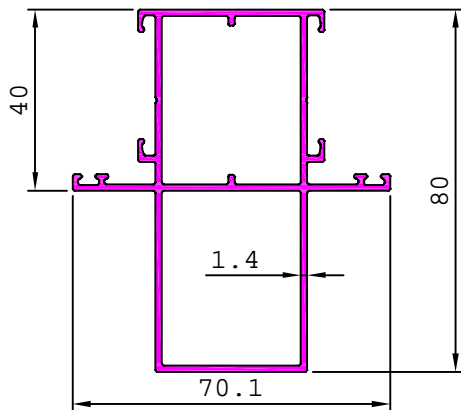
S6320

1.042 kg/m



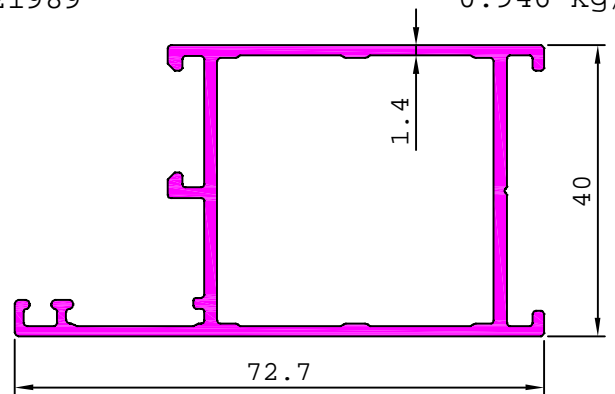
21846

1.240 kg/m



21989

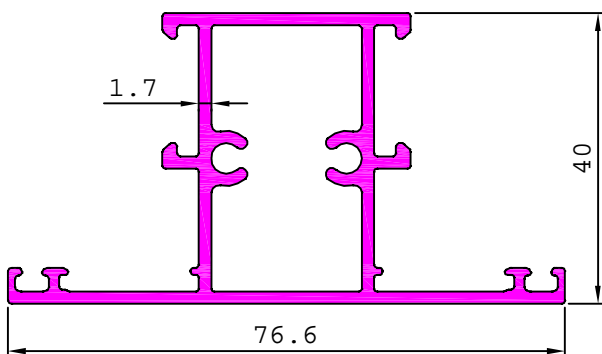
0.946 kg/m



MATCHING WITH 41549

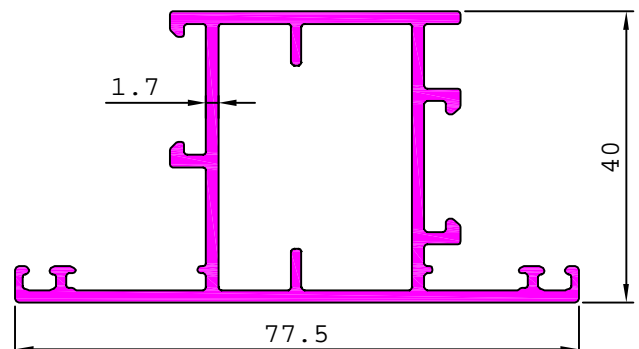
G100850

1.094 kg/m



G100851

1.089 kg/m

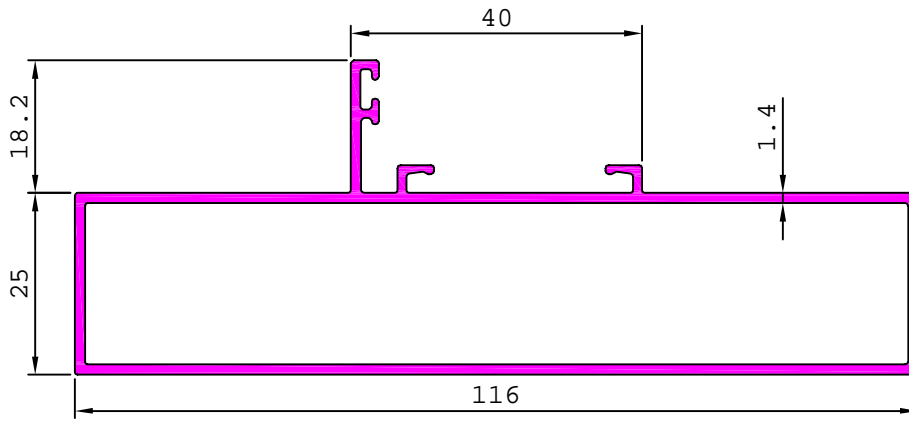


CASEMENT WINDOW

(SERIES -40 mm.)

21916

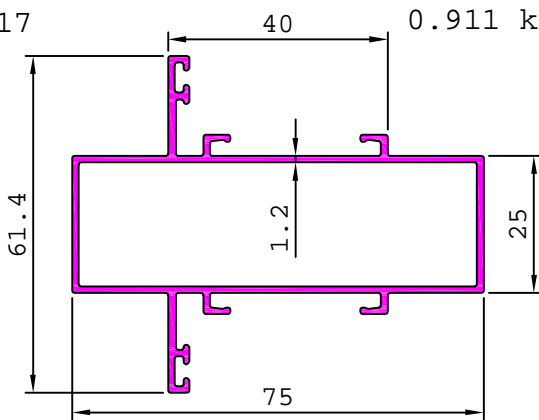
1.184 kg/m



MATCHING WITH S5179,19422

21917

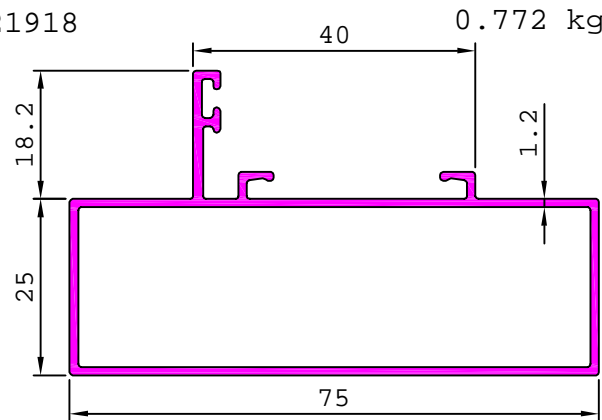
0.911 kg/m



MATCHING WITH S5179,19422

21918

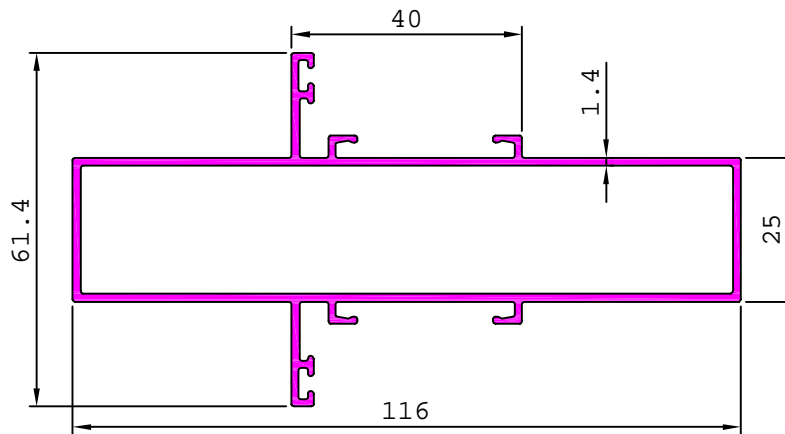
0.772 kg/m



MATCHING WITH S5179,19422

21919

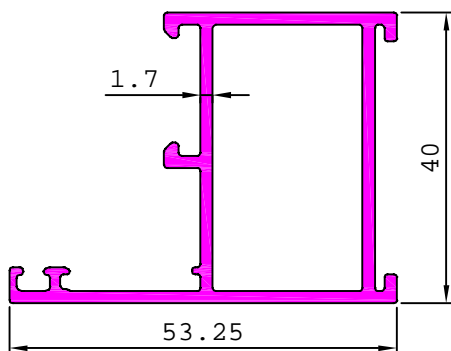
1.323 kg/m



MATCHING WITH S5179,19422

G100852

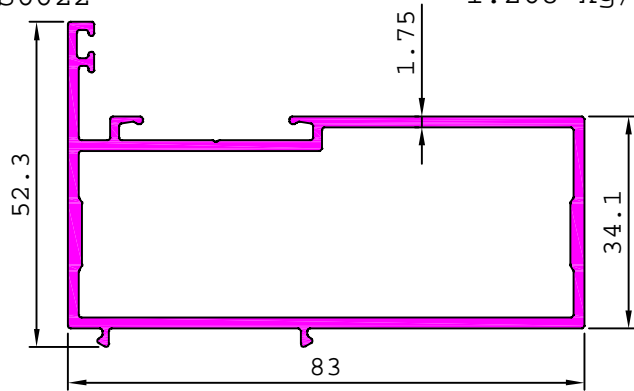
0.822 kg/m



CASEMENT WINDOW

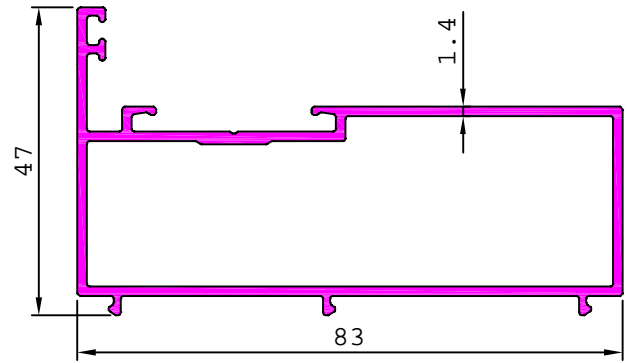
(SERIES -40 mm.)

S6622 1.268 kg/m



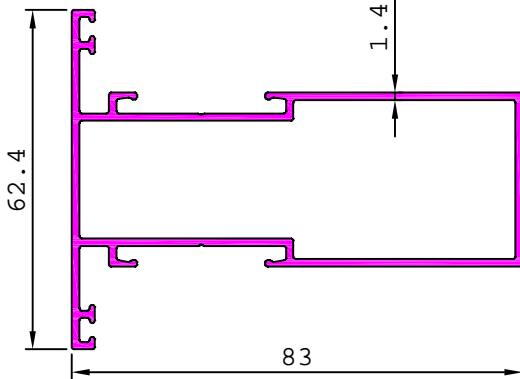
MATCHING WITH S5179,S6620,S6621

S6623 1.007 kg/m



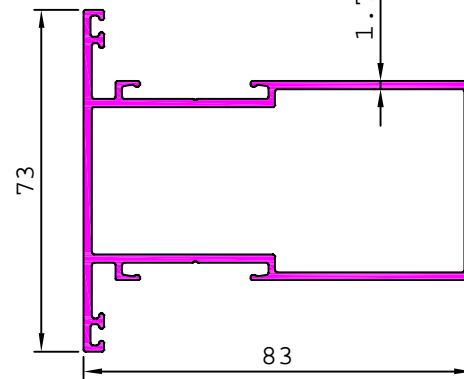
MATCHING WITH S5179

S6624 1.121 kg/m



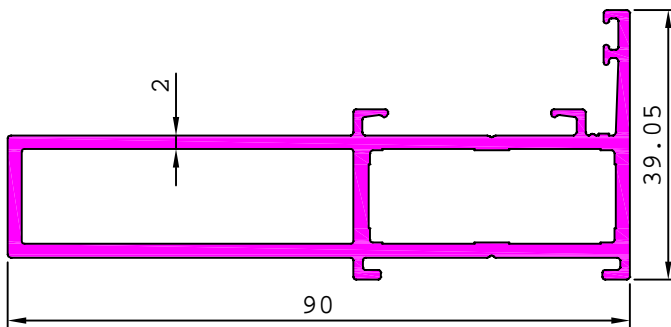
MATCHING WITH S5179

S6625 1.442 kg/m

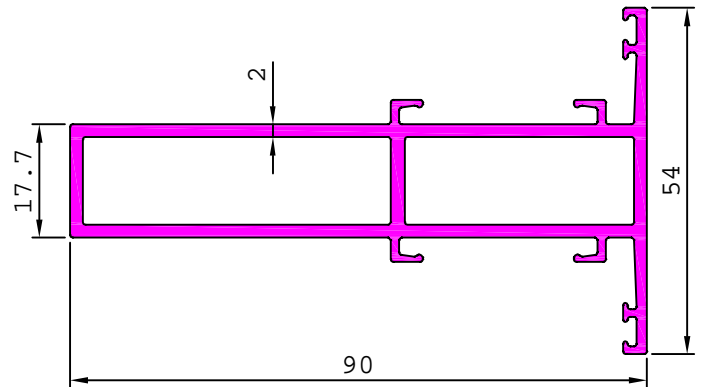


MATCHING WITH S5179

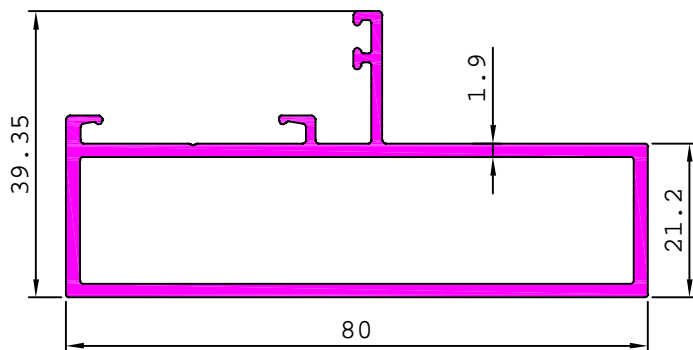
21953 1.413 kg/m



21954 1.506 kg/m

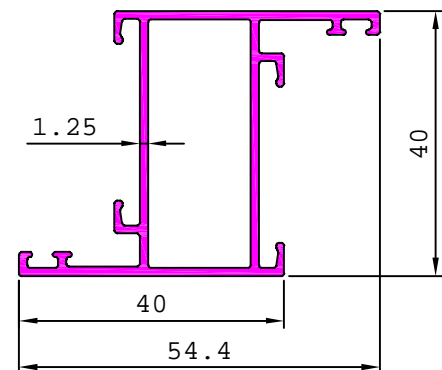


G101050 1.147 kg/m



MATCHING WITH S5179

G101573 0.641 kg/m



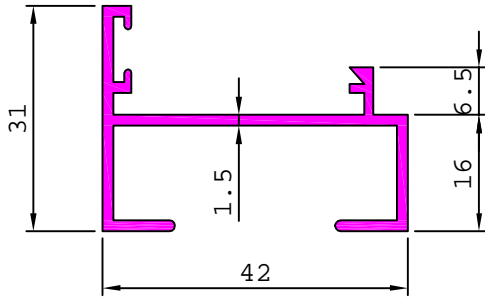
MATCHING WITH S5179

CASEMENT WINDOW

(SERIES -42 mm.)

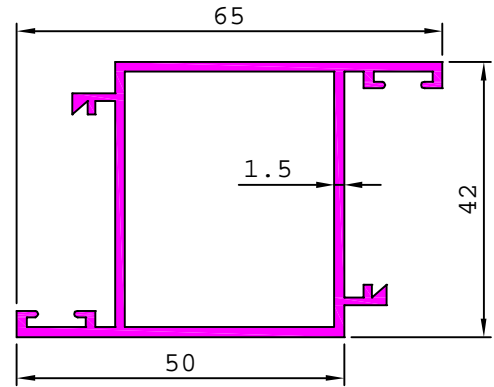
20759

0.483 kg/m



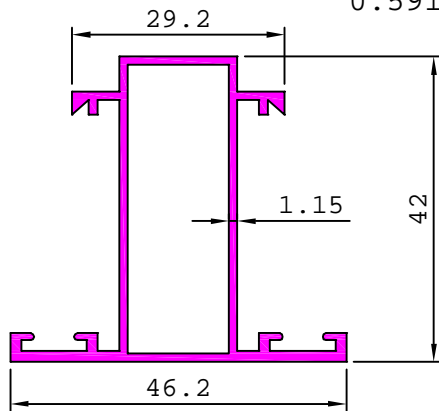
20762

0.848 kg/m



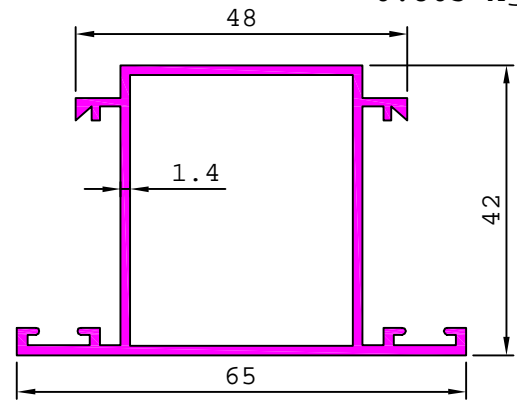
20761

0.591 kg/m



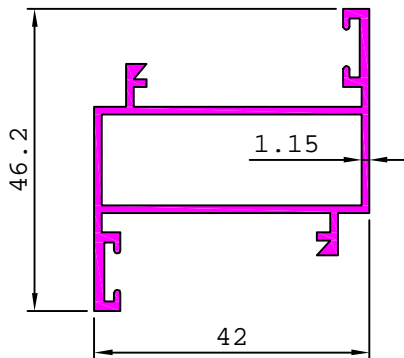
20764

0.805 kg/m



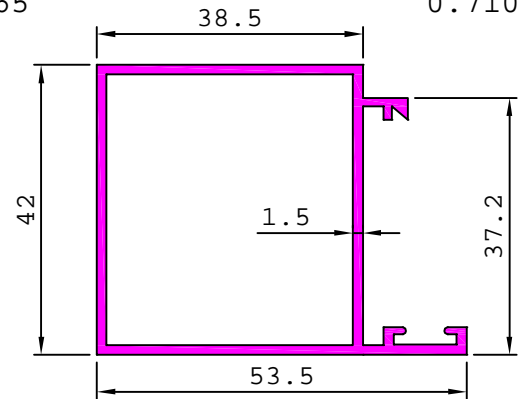
20763

0.591 kg/m



20765

0.710 kg/m

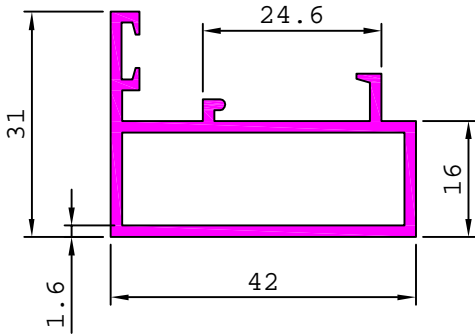


CASEMENT WINDOW

(SERIES -42 mm.)

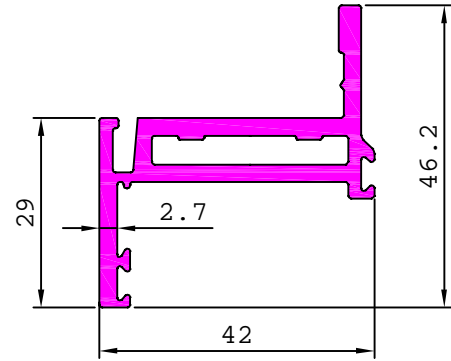
21086

0.613 kg/m



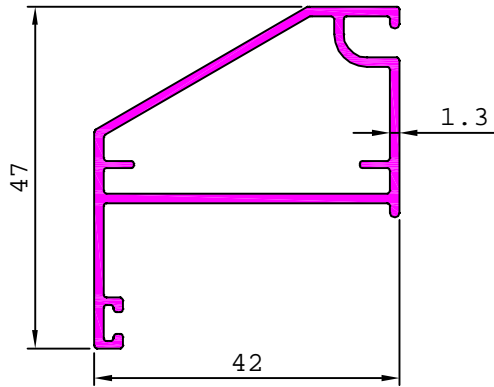
21313

0.978 kg/m



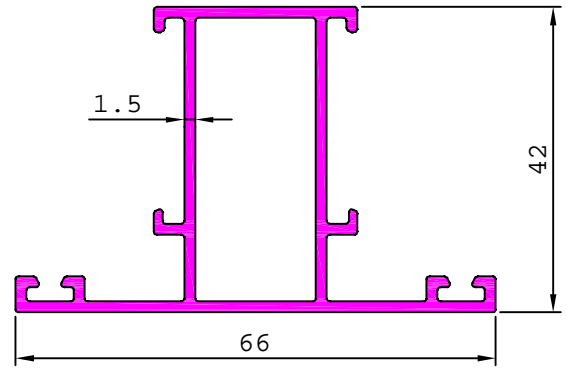
21667

0.569 kg/m



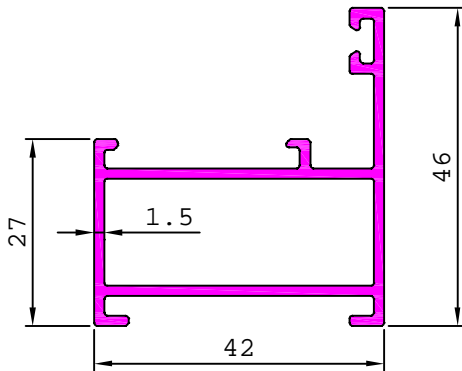
21336

0.841 kg/m



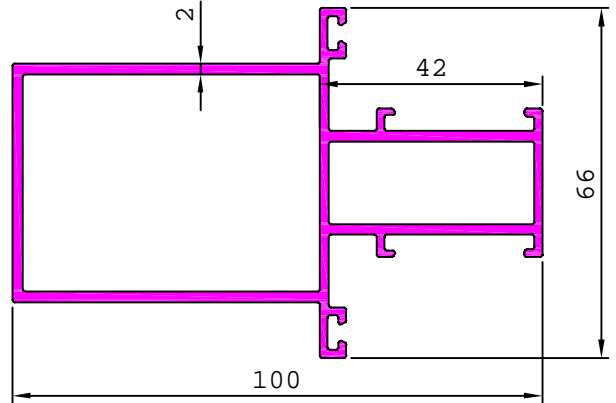
21337

0.712 kg/m



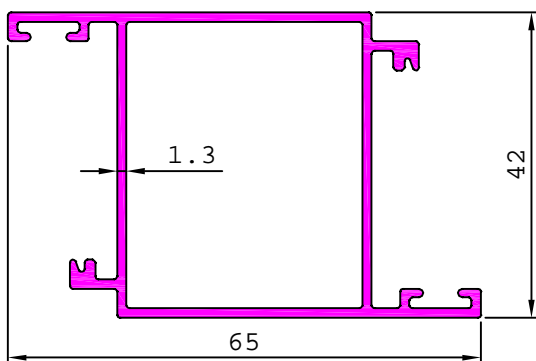
21338

1.817 kg/m



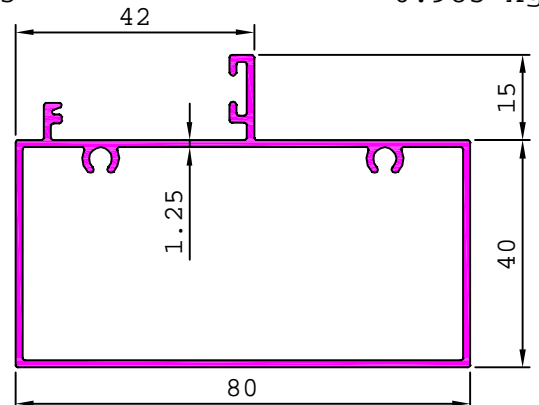
21577

0.776 kg/m



21623

0.985 kg/m

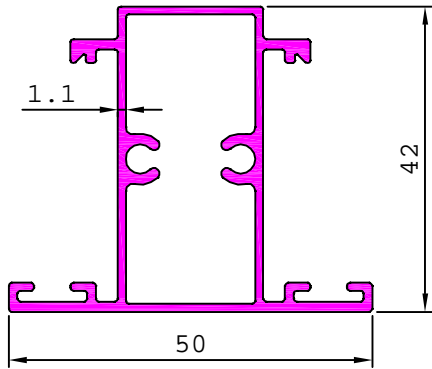


CASEMENT WINDOW

(SERIES -42 mm.)

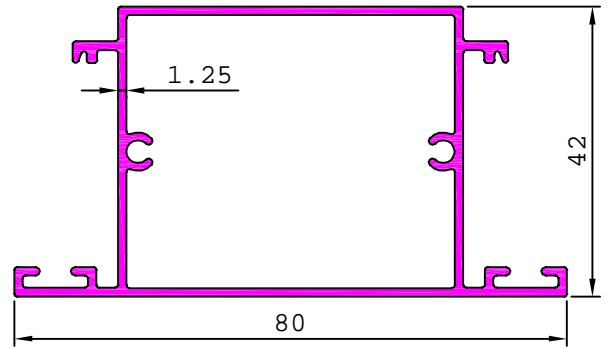
21724

0.695 kg/m



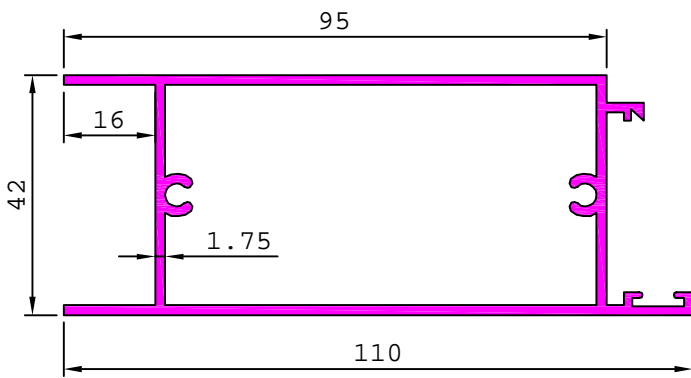
21625

0.902 kg/m



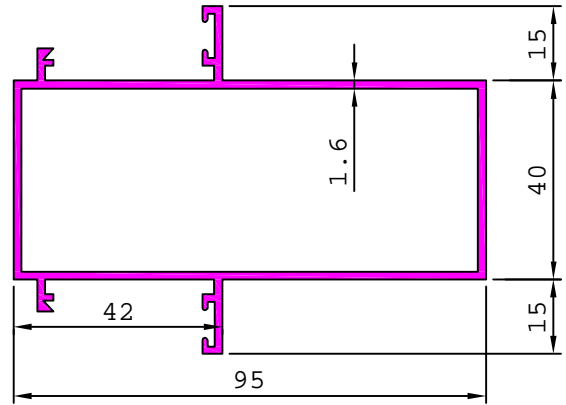
20792

1.488 kg/m



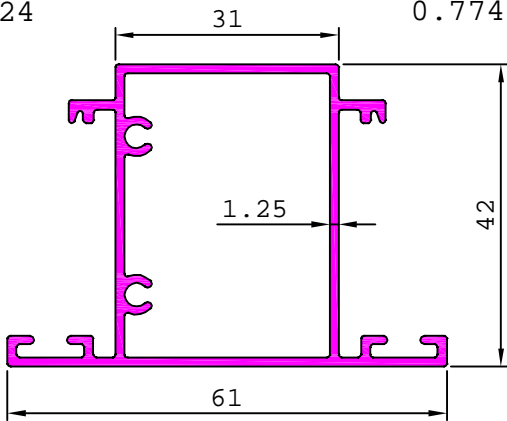
20794

1.394 kg/m



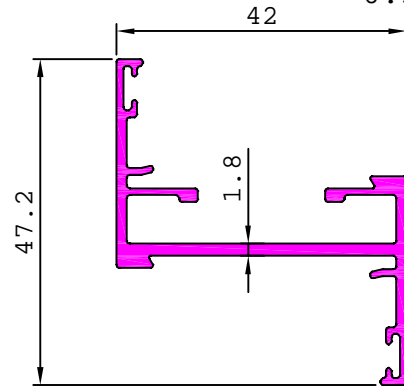
21624

0.774 kg/m



21324

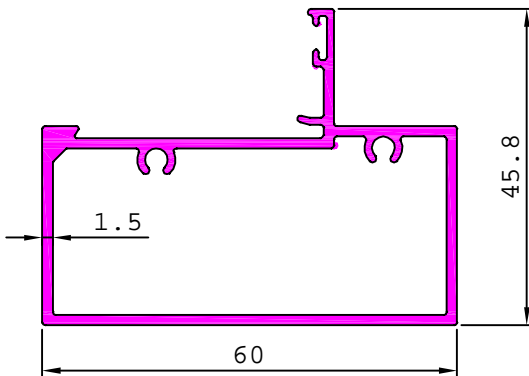
0.573 kg/m



MATCHING WITH 19430

21322

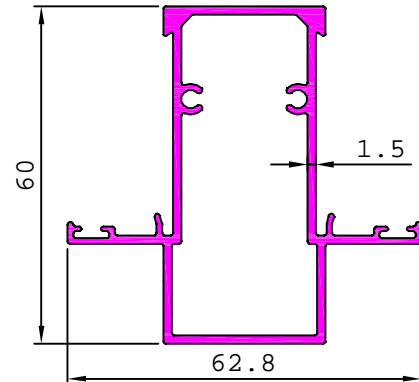
0.860 kg/m



MATCHING WITH 19430

21323

0.976 kg/m

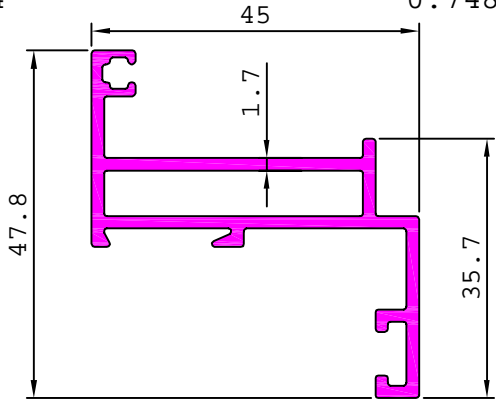


MATCHING WITH 19430

CASEMENT WINDOW

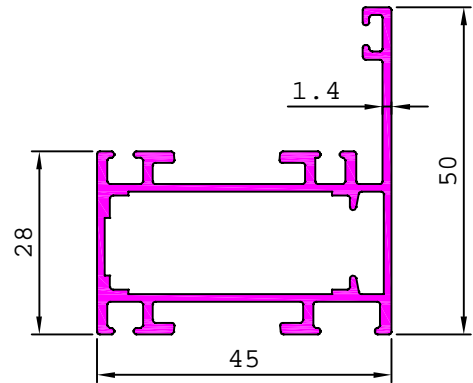
(SERIES -45 mm.)

21104 0.748 kg/m

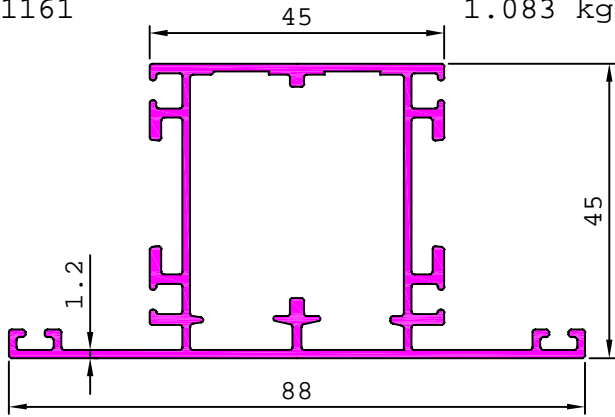


MATCHING WITH 19397

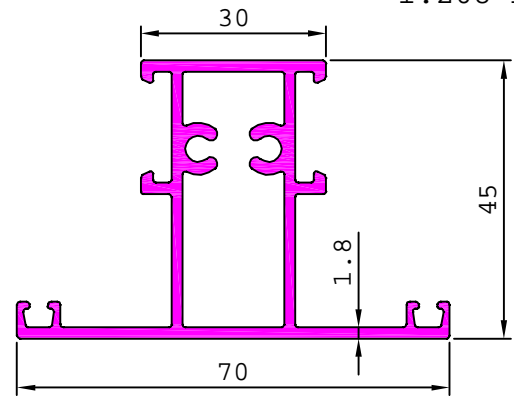
21160 0.833 kg/m



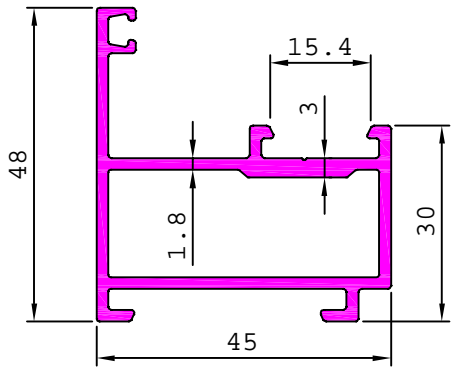
21161 1.083 kg/m



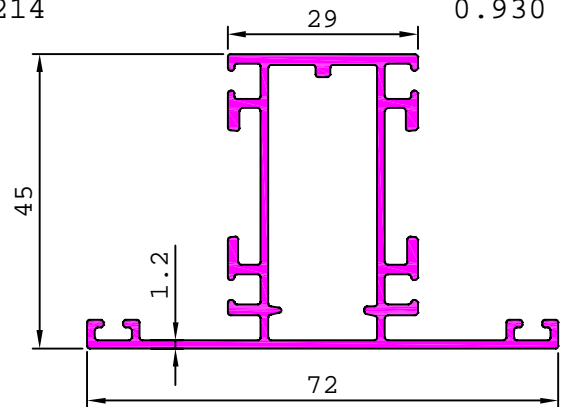
21187 1.208 kg/m



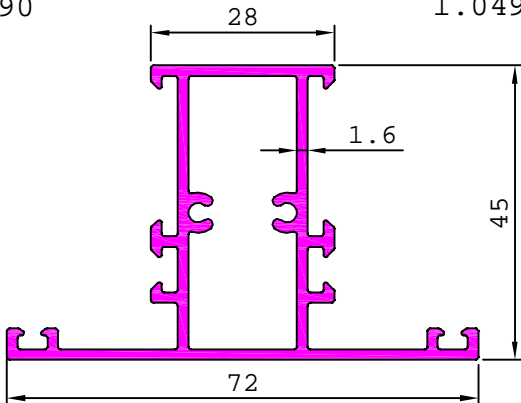
21185 0.945 kg/m



21214 0.930 kg/m

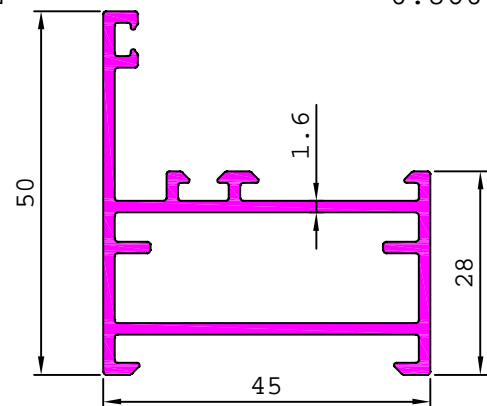


21290 1.049 kg/m



MATCHING WITH 19423

21292 0.860 kg/m

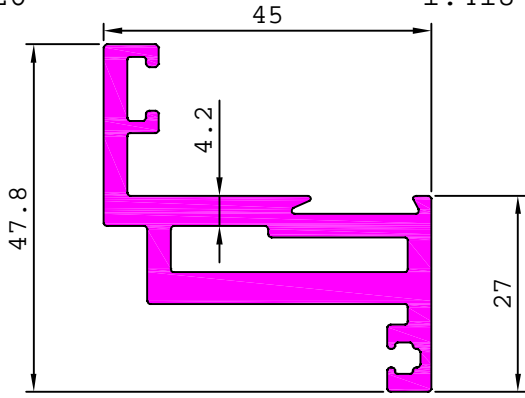


MATCHING WITH 19423

CASEMENT WINDOW

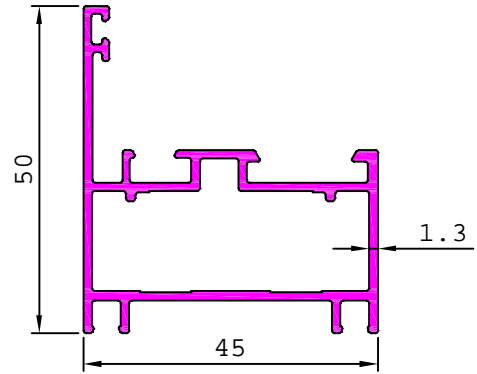
(SERIES -45 mm.)

21226 1.418 kg/m

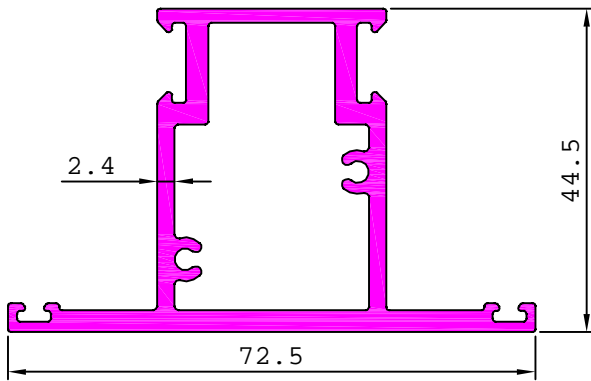


MATCHING WITH 19411,21227

21593 0.751 kg/m

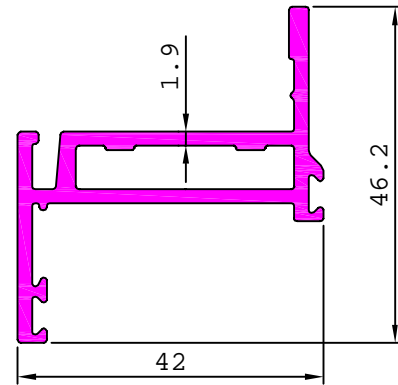


21696 1.448 kg/m

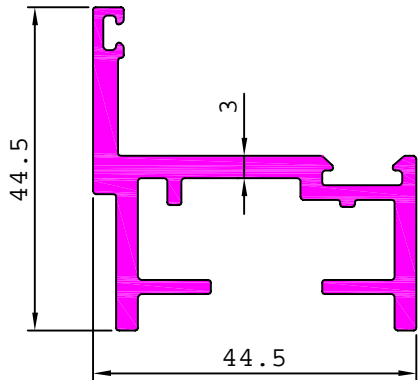


MATCHING WITH 19475

21693 0.784 kg/m

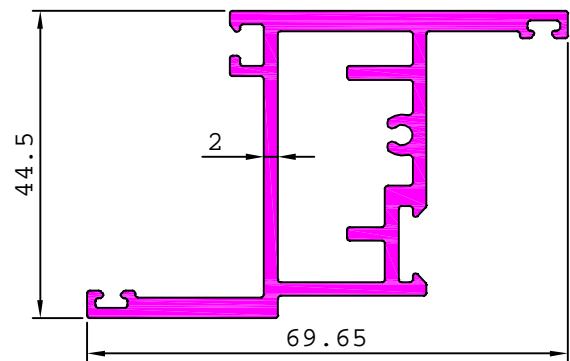


21694 1.026 kg/m



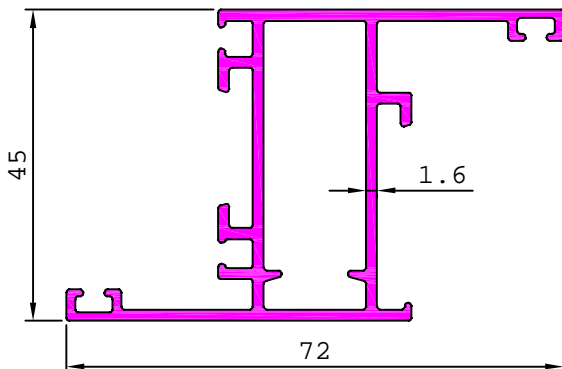
MATCHING WITH 19475

21695 1.297 kg/m

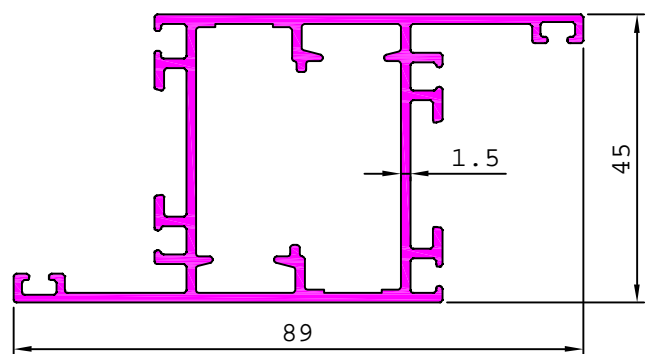


MATCHING WITH 19475

21744 0.994 kg/m



21745 1.244 kg/m

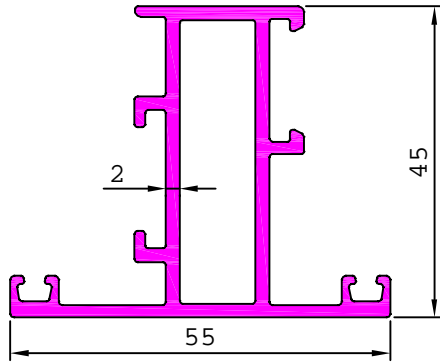


CASEMENT WINDOW

(SERIES -45 mm.)

21825

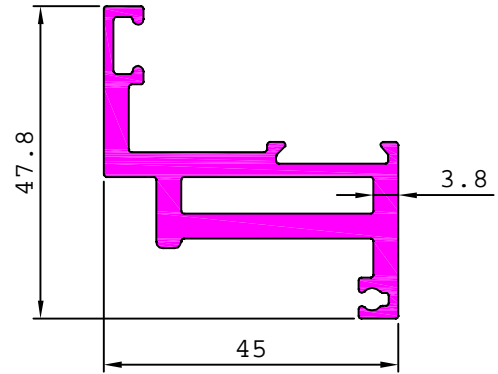
1.026 kg/m



MATCHING WITH S5771

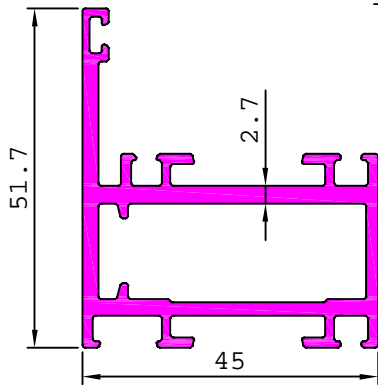
21477

1.247 kg/m



21929

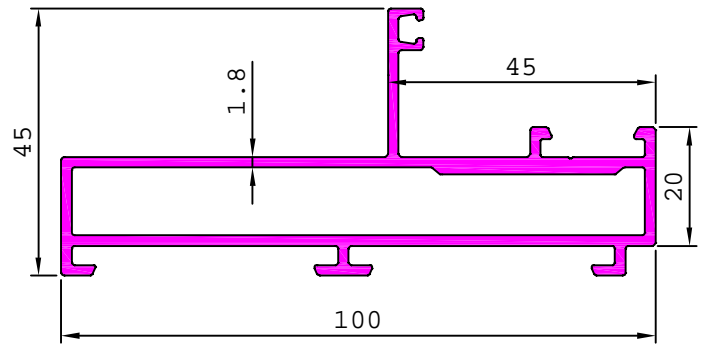
1.193 kg/m



MATCHING WITH 41532

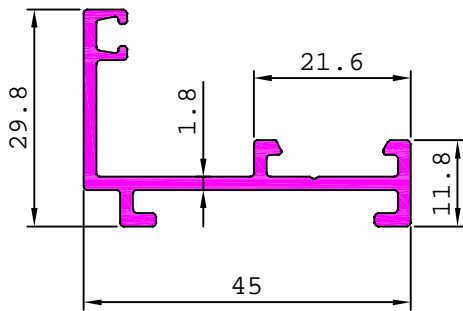
21188

1.548 kg/m



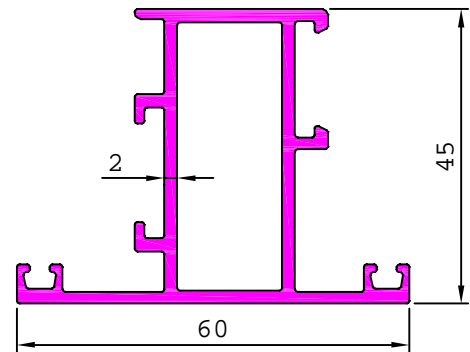
21196

0.509 kg/m



S6183

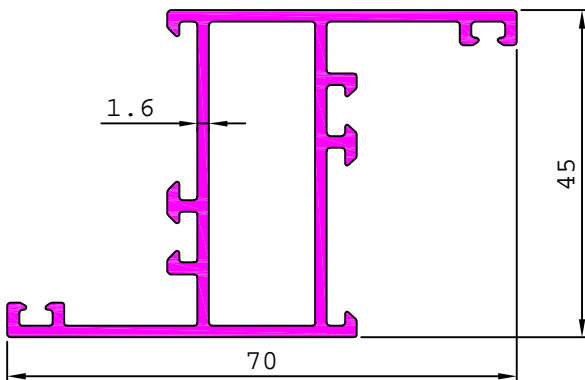
1.081 kg/m



MATCHING WITH S5771

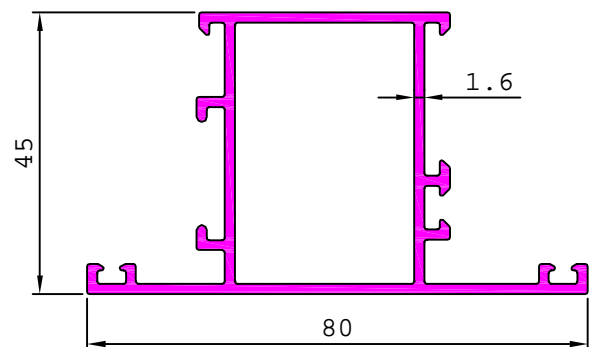
S6382

0.964 kg/m



S6383

1.071 kg/m

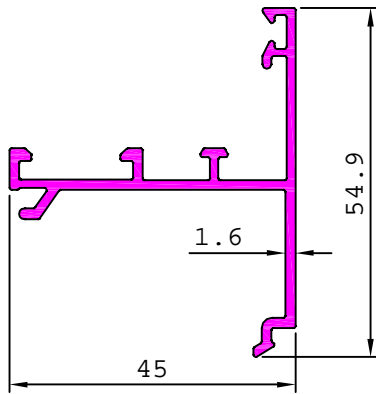


CASEMENT WINDOW

(SERIES -45 mm.)

21971

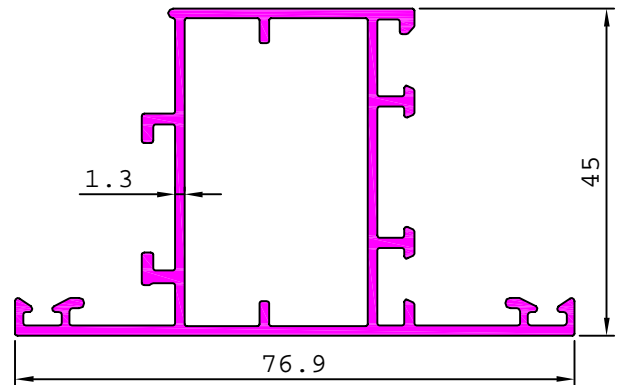
0.574 kg/m



MATCHING WITH 21969

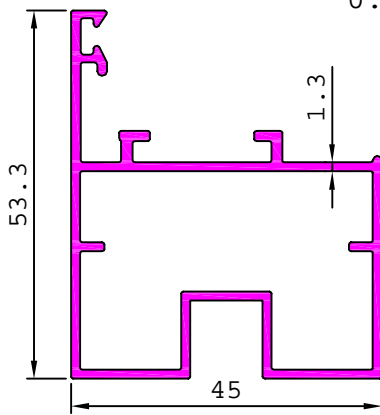
21972

0.940 kg/m



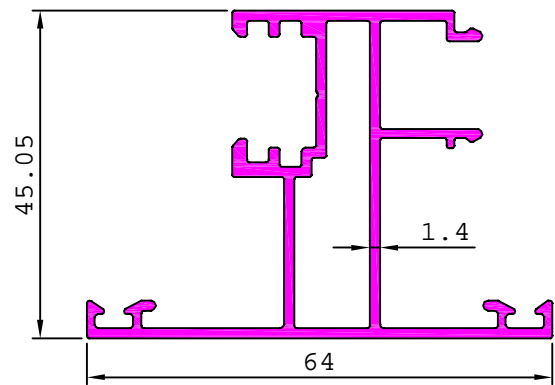
21973

0.804 kg/m



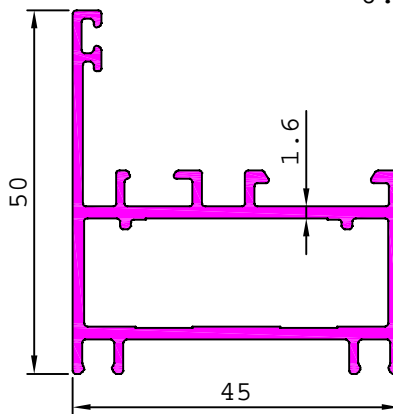
21975

0.931 kg/m



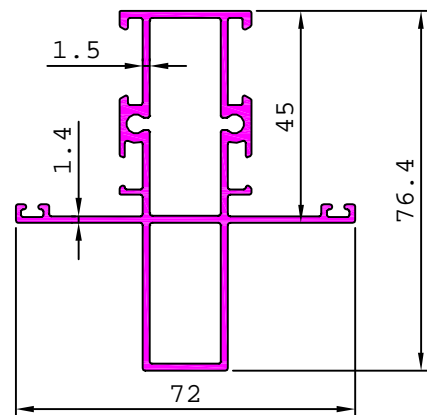
21863

0.842 kg/m



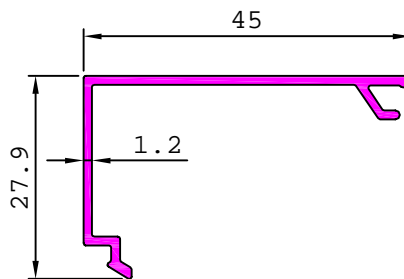
21697

1.309 kg/m



21970

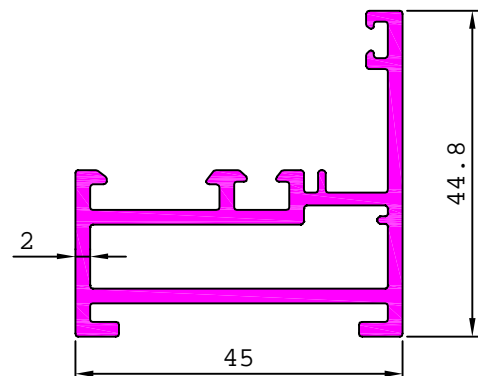
0.276 kg/m



MATCHING WITH 21969

46105

0.978 kg/m

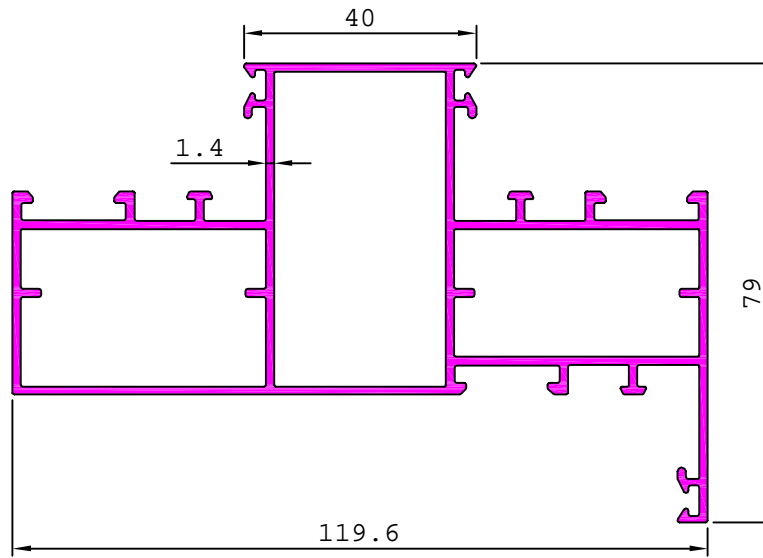


CASEMENT WINDOW

(SERIES -45 mm.)

21969

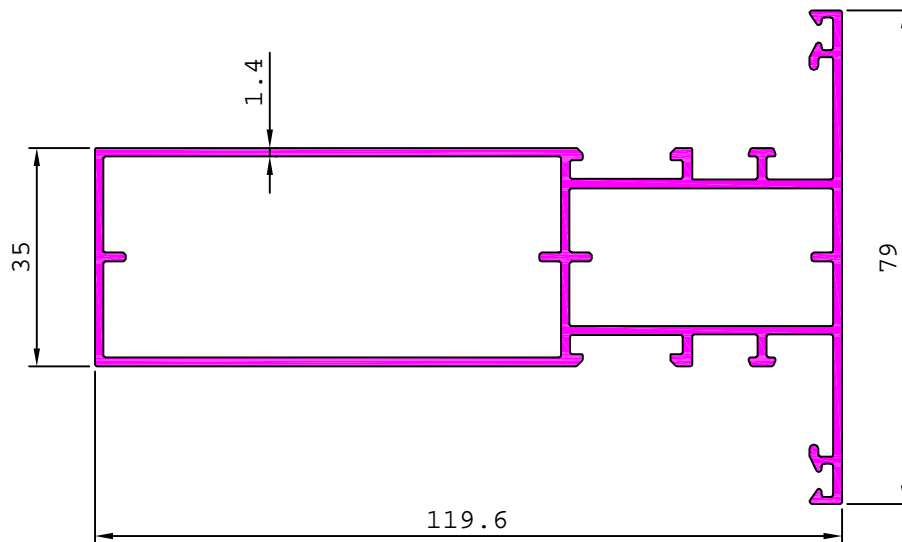
2.027 kg/m



MATCHING WITH 21970,21971

21974

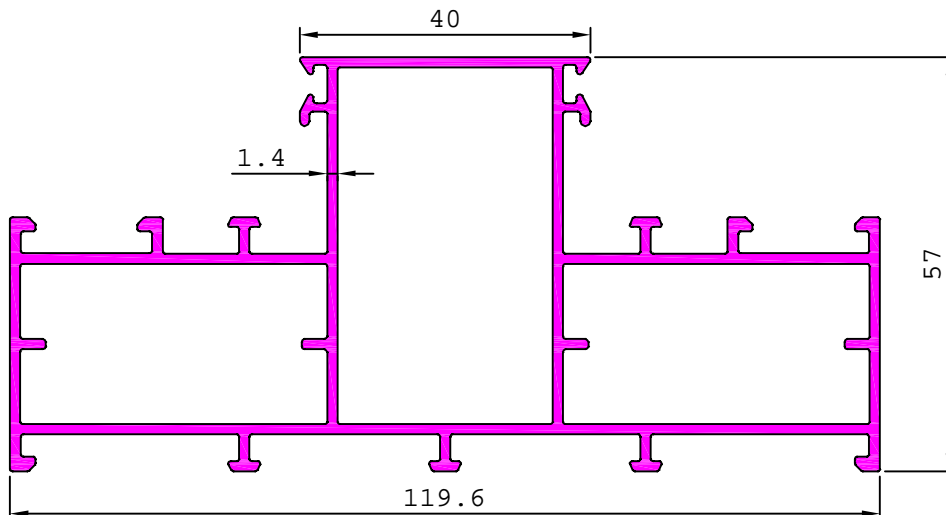
1.711 kg/m



MATCHING WITH 41545

21968

1.904 kg/m

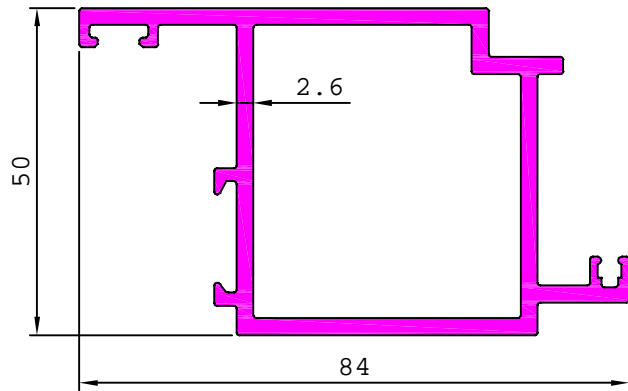


MATCHING WITH 21970,21971

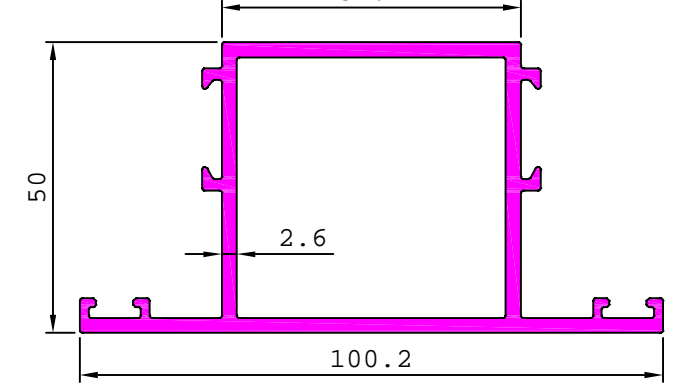
CASEMENT WINDOW

(SERIES -50 mm.)

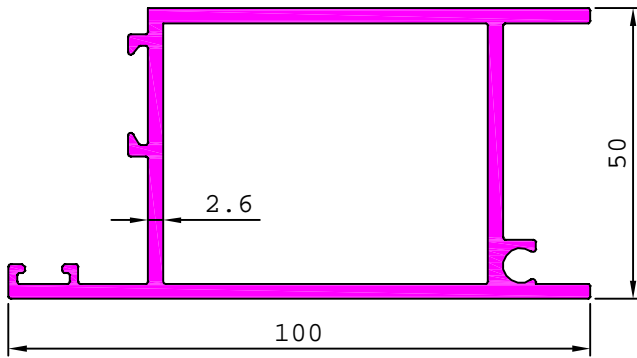
21234 1.689 kg/m



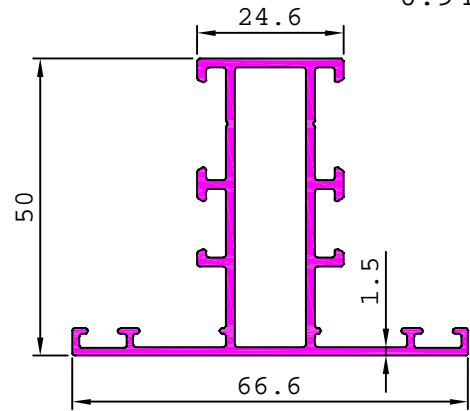
21235 1.867 kg/m



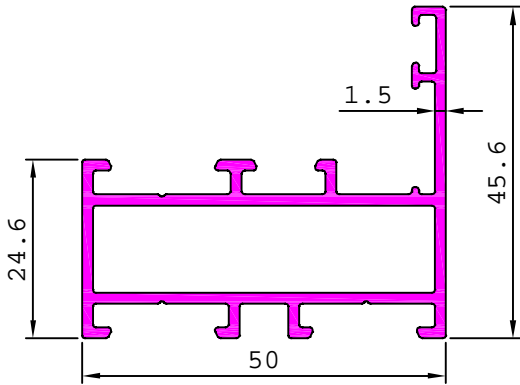
21236 1.990 kg/m



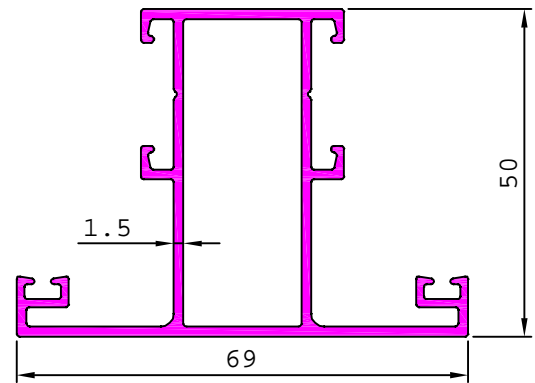
21352 0.946 kg/m



21314 0.834 kg/m

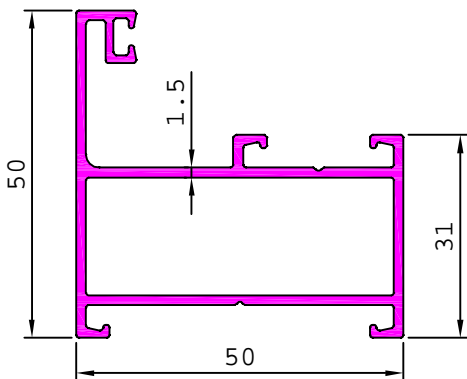


21400 1.023 kg/m

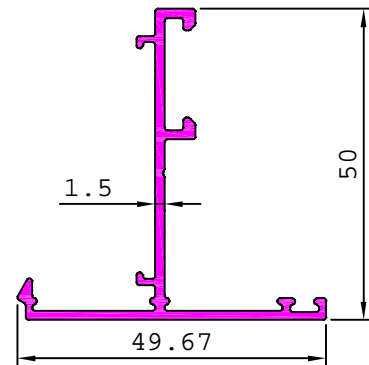


MATCHING WITH 19433

21482 0.855 kg/m



S6527 0.505 kg/m



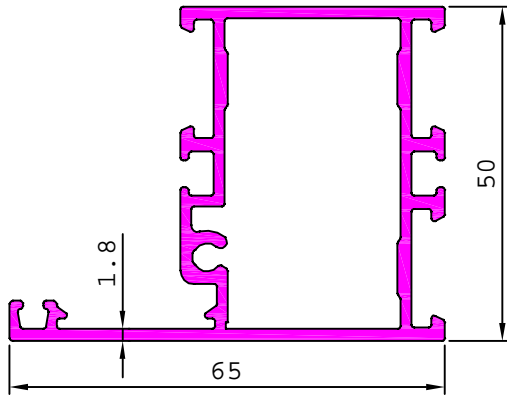
MATCHING WITH 41502,21510

CASEMENT WINDOW

(SERIES -50 mm.)

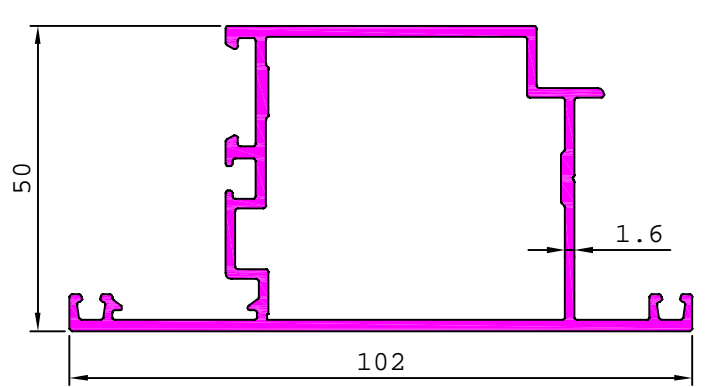
S6418

1.232 kg/m



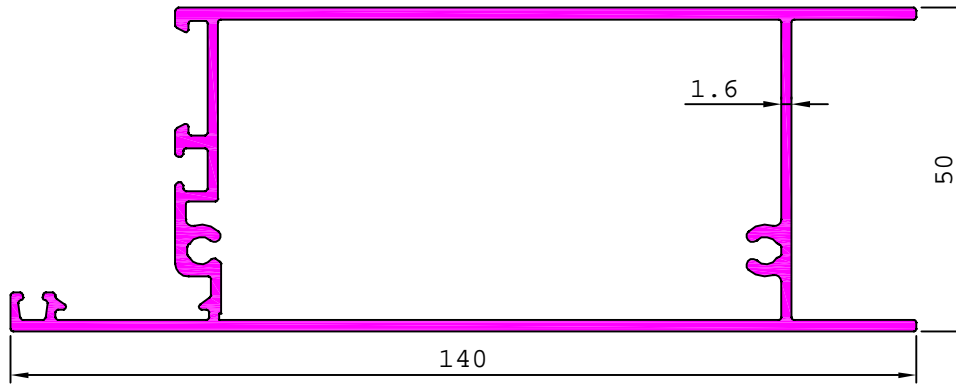
S6420

1.398 kg/m



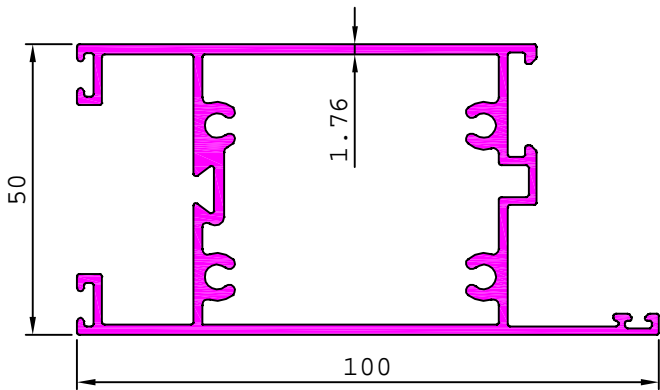
S6419

1.887 kg/m



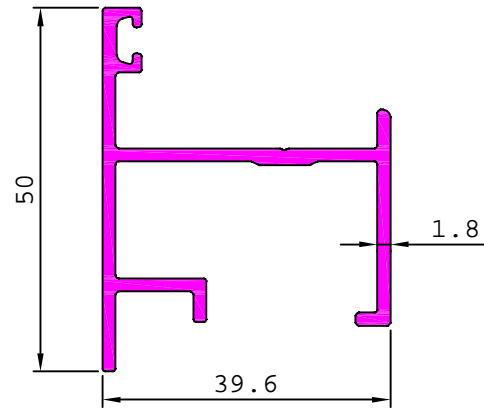
S6563

1.736 kg/m



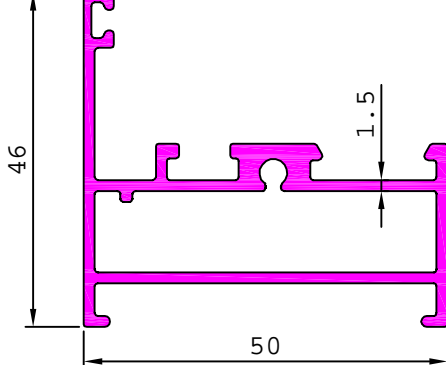
S6421

0.706 kg/m



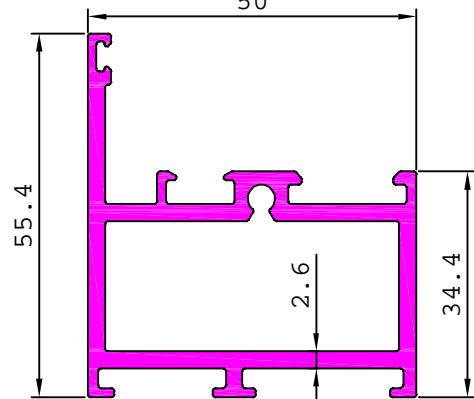
21510

0.863 kg/m



G100321

1.387 kg/m

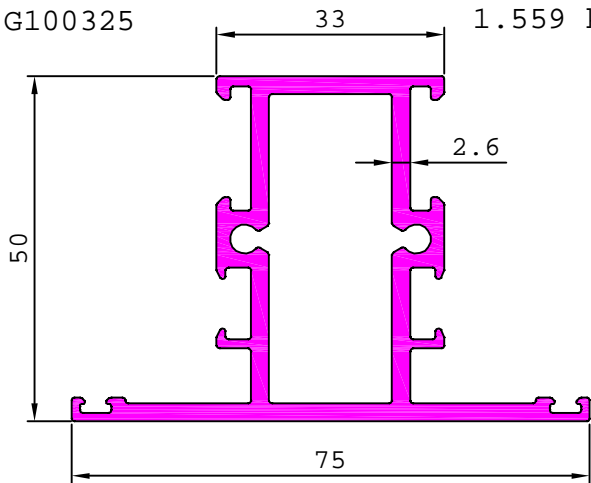


MATCHING WITH S6527

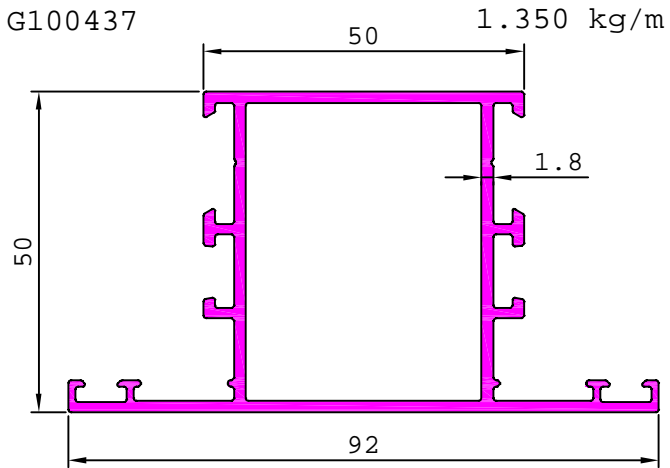
CASEMENT WINDOW

(SERIES -50 mm.)

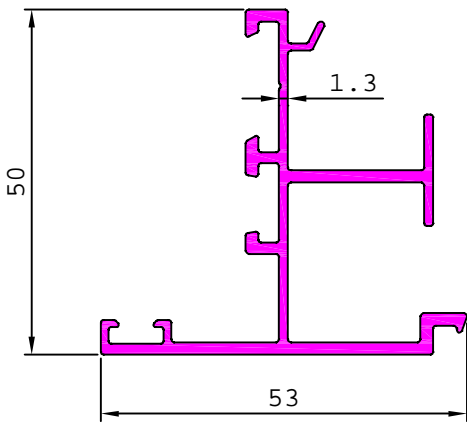
G100325 1.559 kg/m



G100437 1.350 kg/m



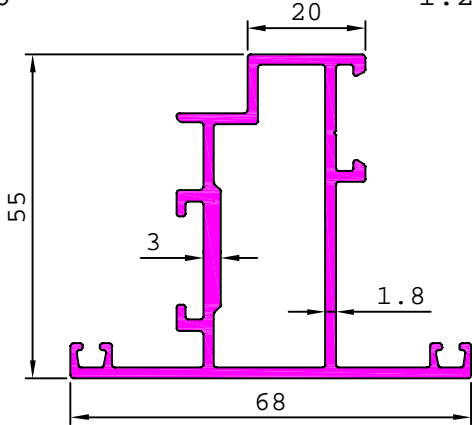
G100438 0.743 kg/m



CASEMENT WINDOW

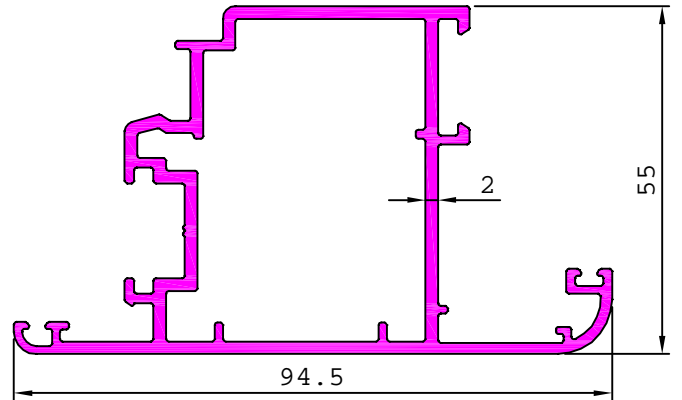
21186

1.223 kg/m



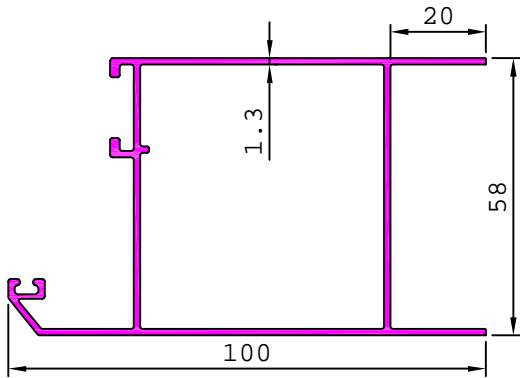
21493

1.627 kg/m



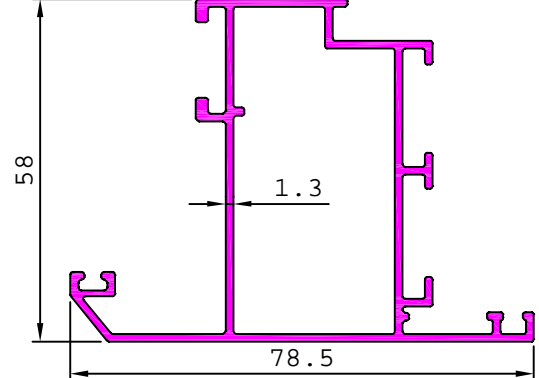
21511

1.131 kg/m



21512

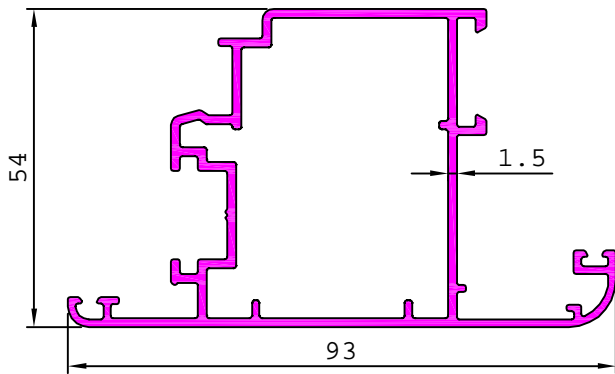
1.039 kg/m



MATCHING WITH 19456

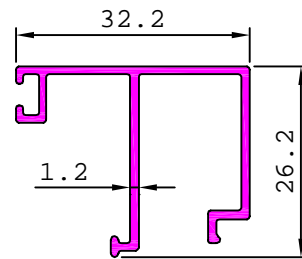
21700

1.276 kg/m



19456

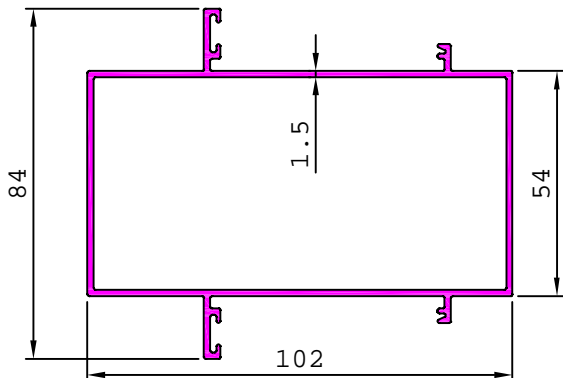
0.303 kg/m



MATCHING WITH 19456

S5486

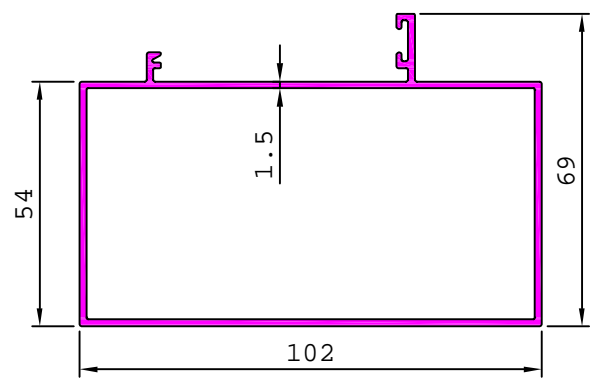
1.495 kg/m



MATCHING WITH 19385

S5485

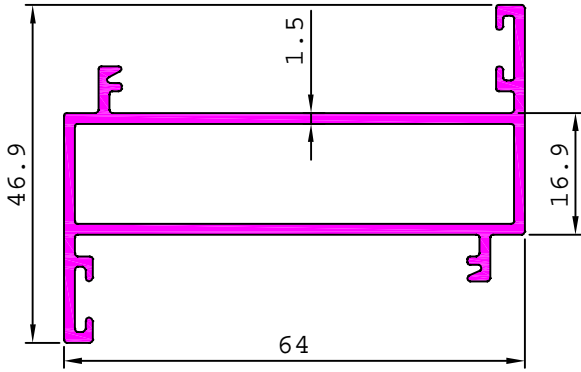
1.367 kg/m



MATCHING WITH 19385

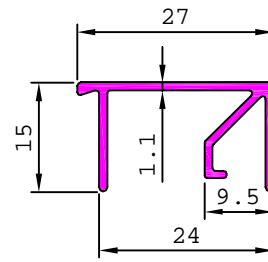
CASEMENT WINDOW

S5487 0.887 kg/m



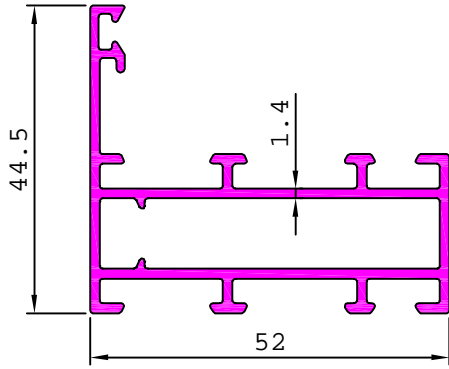
MATCHING WITH 19385, S5485

19385 0.216 kg/m



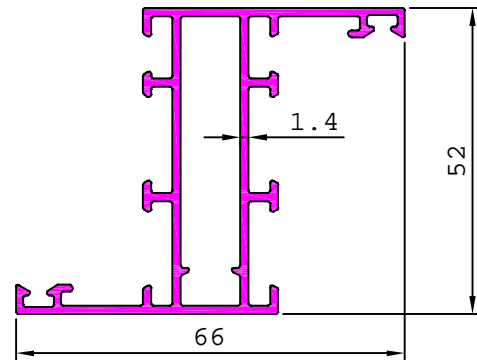
MATCHING WITH S5485, S5486, S5487

21635 0.842 kg/m



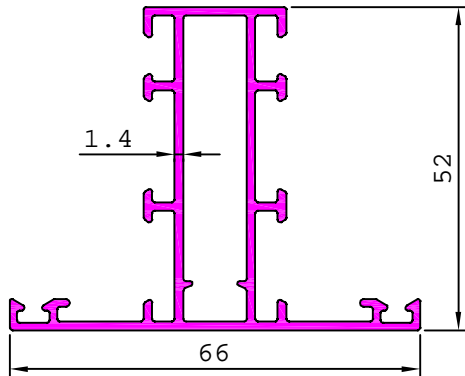
MATCHING WITH 19469

21636 0.956 kg/m



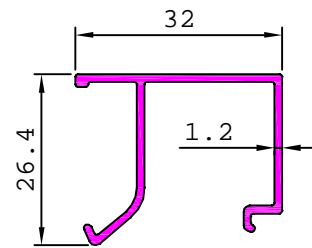
MATCHING WITH 19469

21634 0.956 kg/m



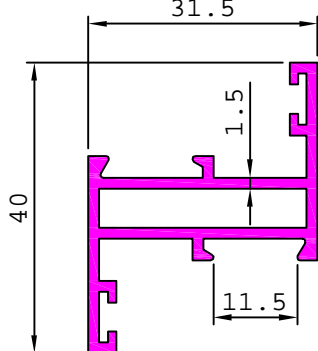
MATCHING WITH 19469

19469 0.297 kg/m



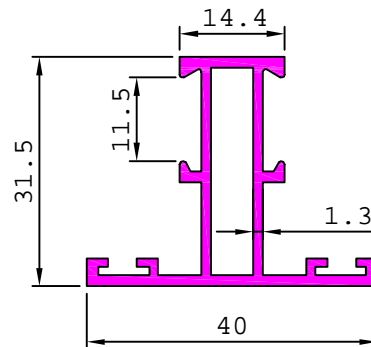
MATCHING WITH 21634, 21635, 21636

20533 0.549 kg/m



MATCHING WITH 19389

20534 0.502 kg/m

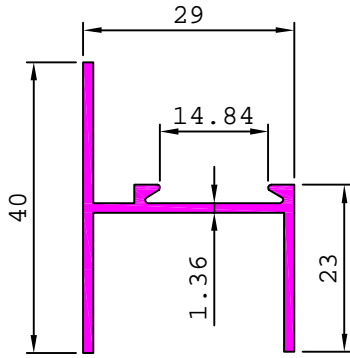


MATCHING WITH 19389

CASEMENT WINDOW

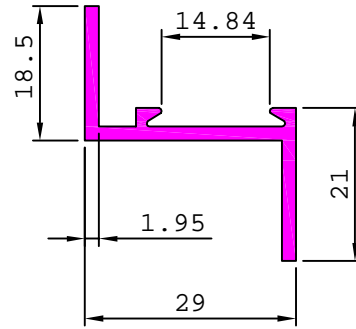
20653

0.354 kg/m



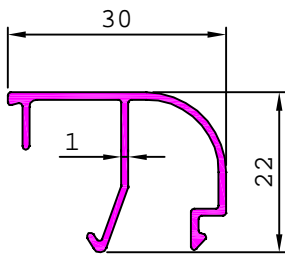
20654

0.364 kg/m



41509

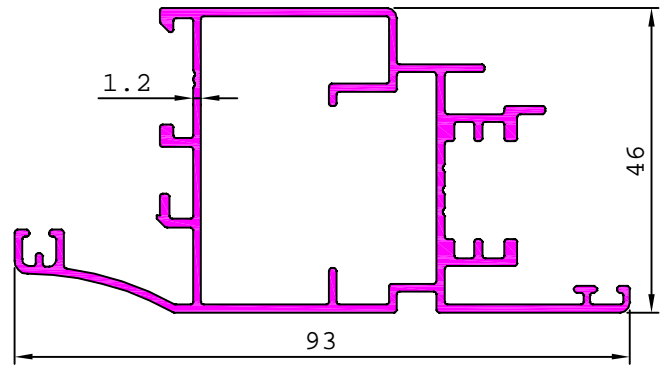
0.226 kg/m



MATCHING WITH 21852,21853,21854

21787

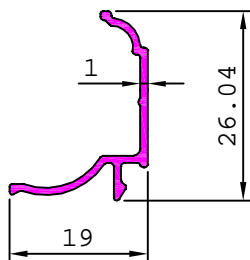
1.127 kg/m



MATCHING WITH 19487,19488

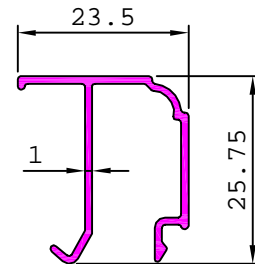
19487

0.139 kg/m



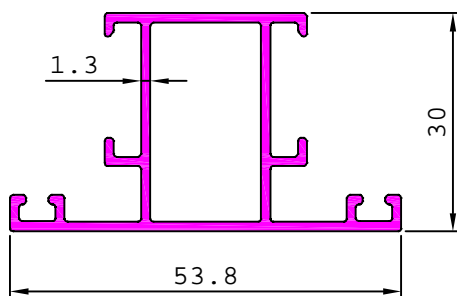
19488

0.215 kg/m

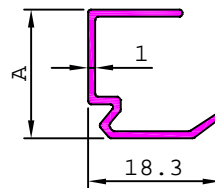


21530

0.606 kg/m



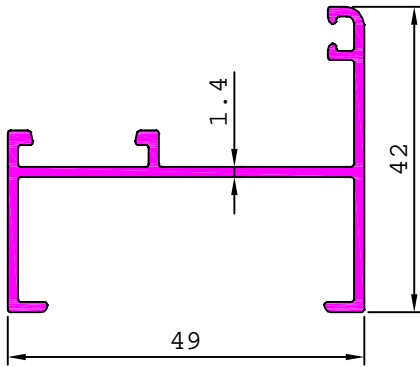
MATCHING WITH 19446



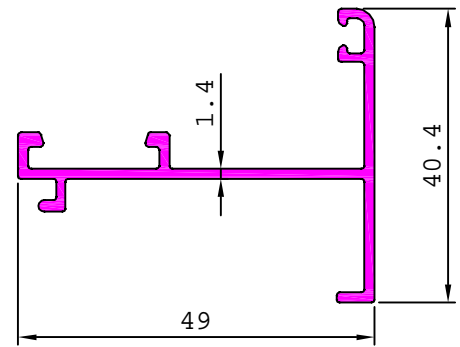
SL. No.	Section No.	A	Weight kg/m
1	19446	17.70	0.133
2	19457	19.70	0.137

CASEMENT WINDOW

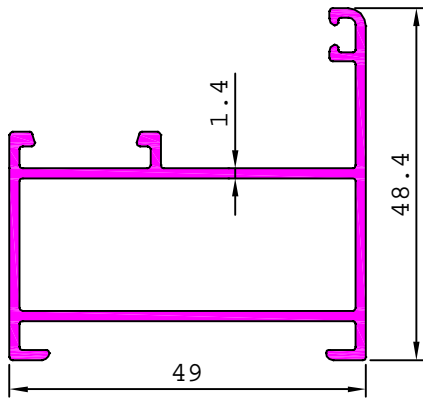
21852 0.524 kg/m



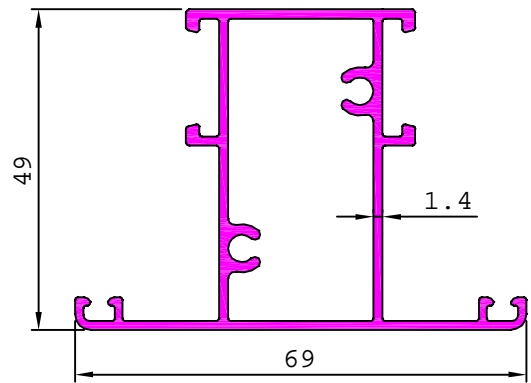
21853 0.457 kg/m



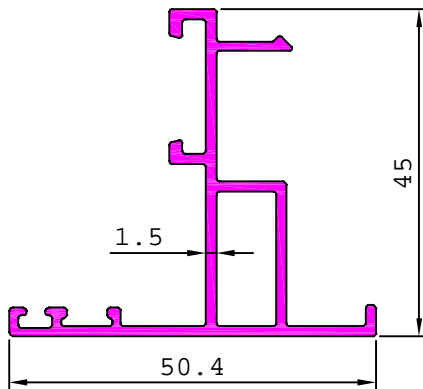
21854 0.747 kg/m



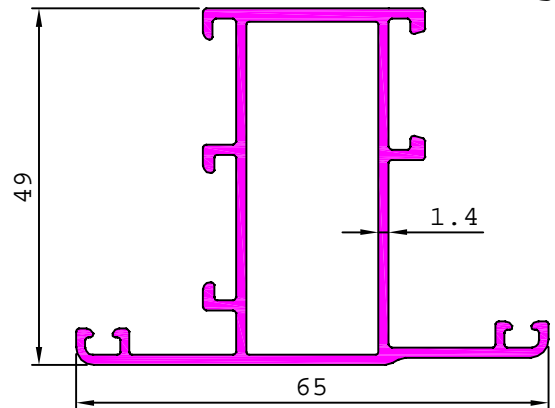
21855 0.971 kg/m



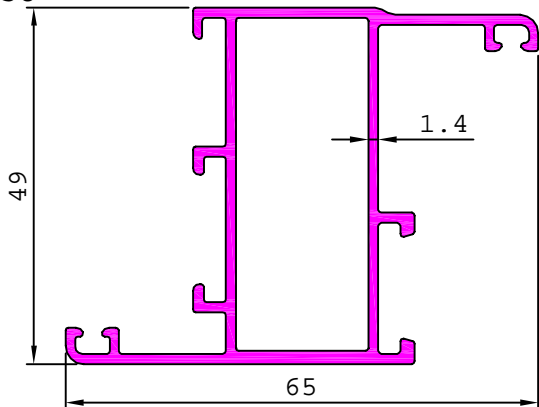
21856 0.612 kg/m



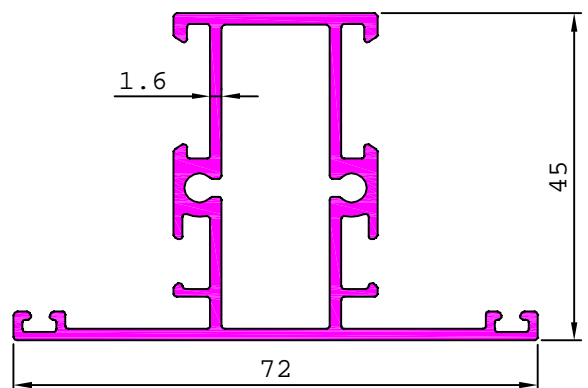
21857 0.889 kg/m



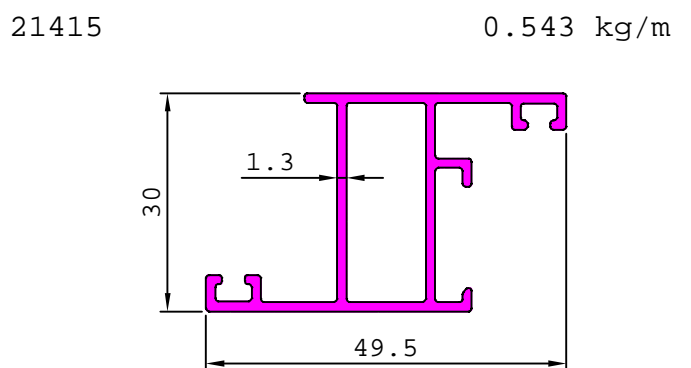
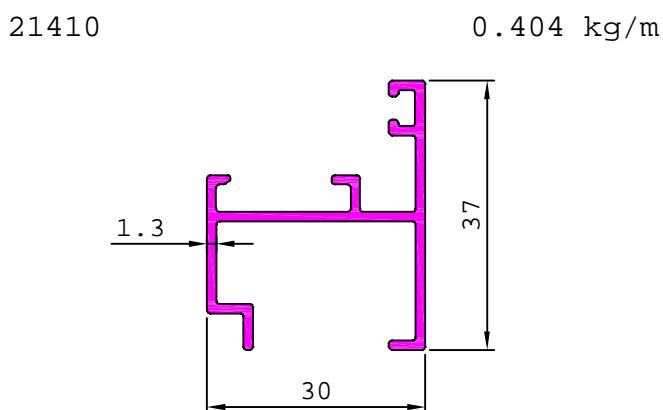
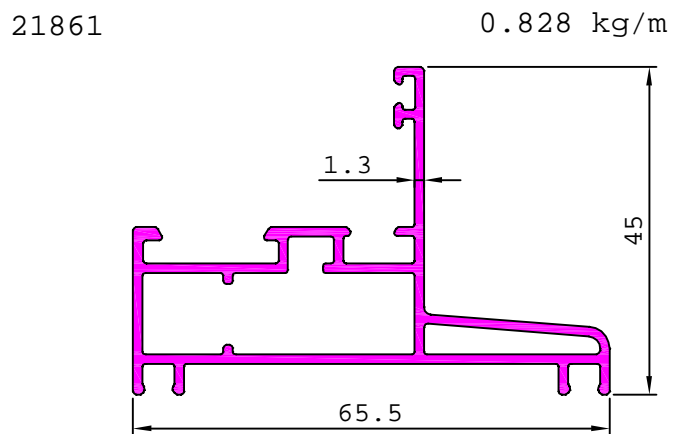
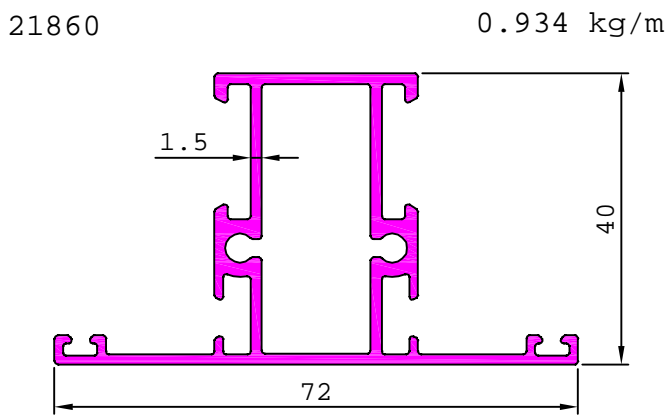
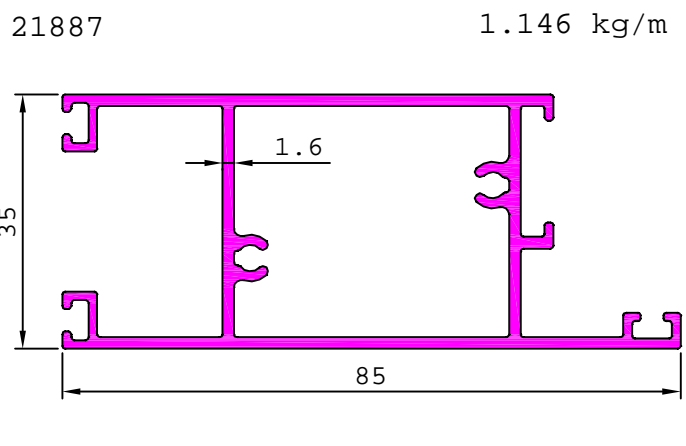
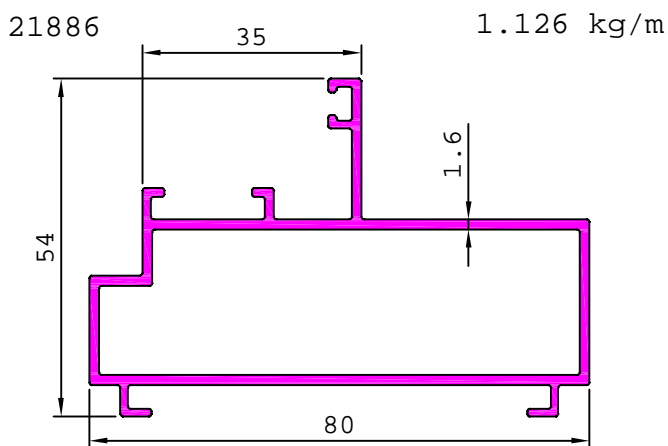
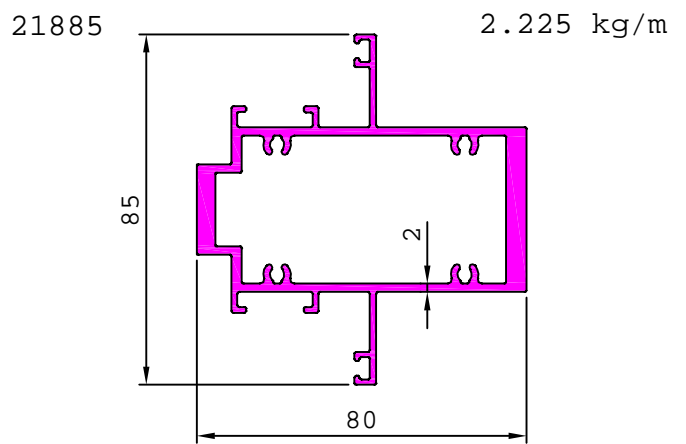
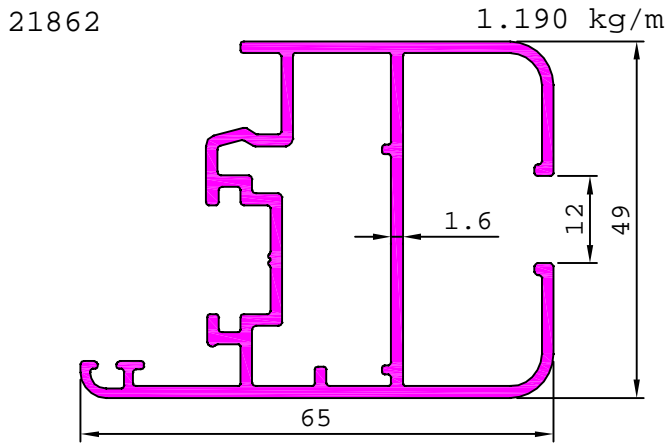
21858 0.889 kg/m



21859 1.044 kg/m



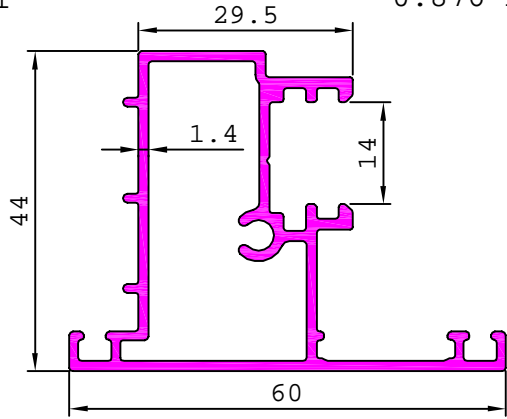
CASEMENT WINDOW



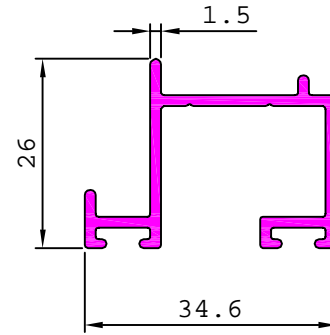
MATCHING WITH 19446

CASEMENT WINDOW

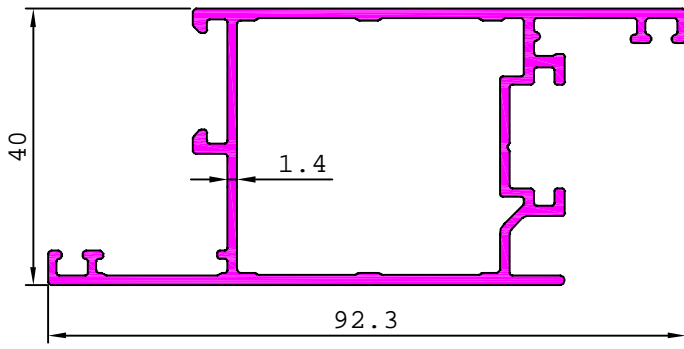
21981 0.876 kg/m



21984 0.419 kg/m

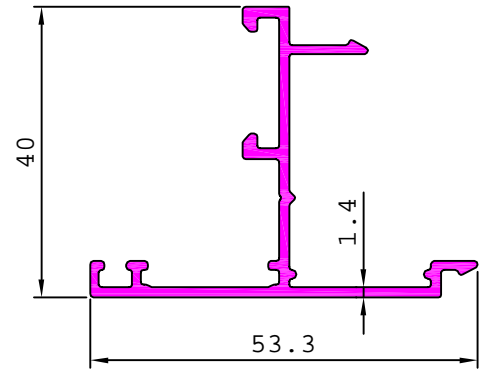


21983 1.060 kg/m



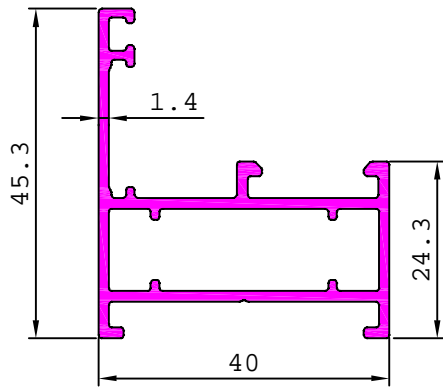
MATCHING WITH 41548,41549

21982 0.502 kg/m



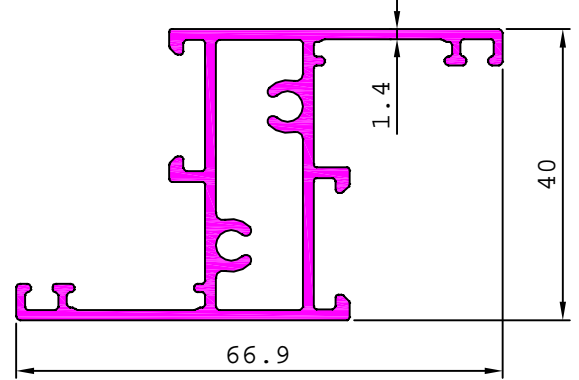
MATCHING WITH 41548,41549

21985 0.680 kg/m



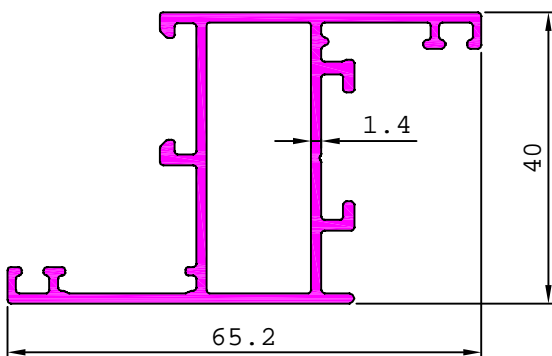
MATCHING WITH 41549

21986 0.900 kg/m



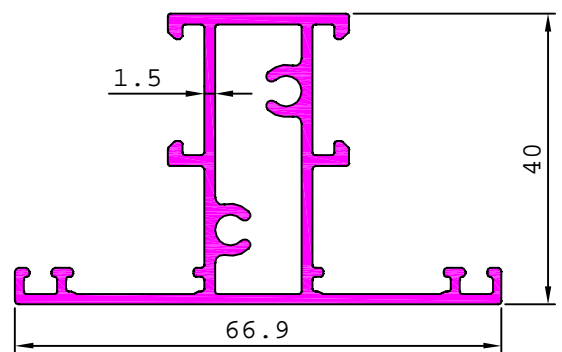
MATCHING WITH 41549

21987 0.802 kg/m



MATCHING WITH 41549

21988 0.900 kg/m

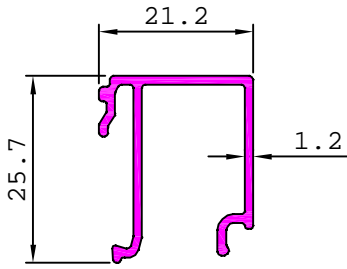


MATCHING WITH 41549

CASEMENT WINDOW

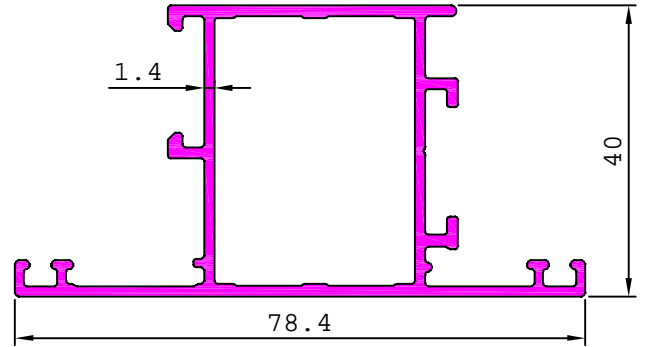
41549

0.270 kg/m



21990

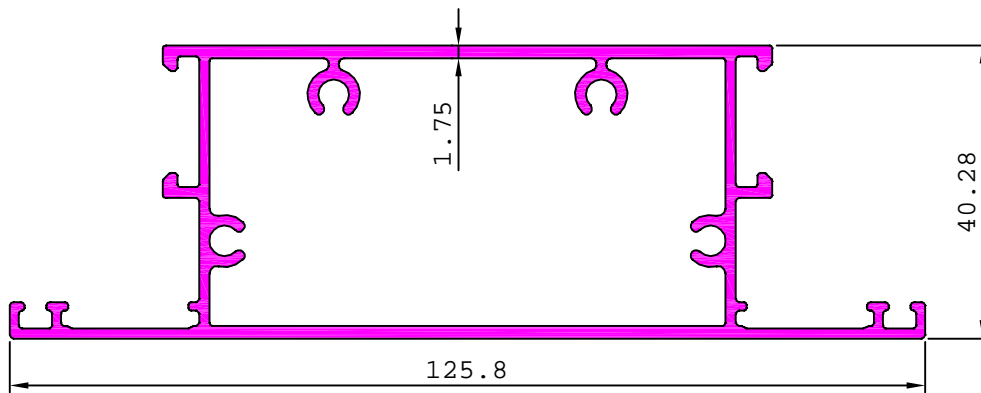
0.929 kg/m



MATCHING WITH 41549

21991

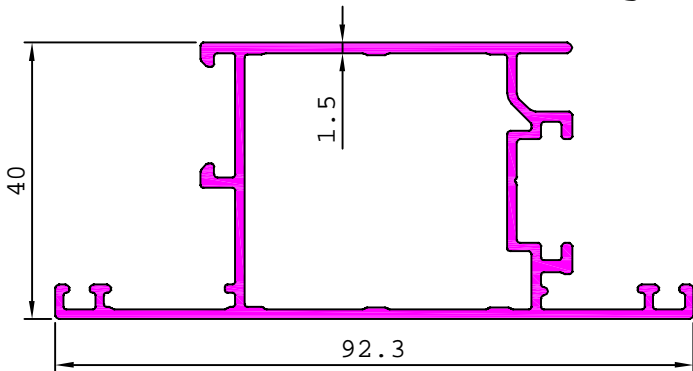
1.589 kg/m



MATCHING WITH 41549

21992

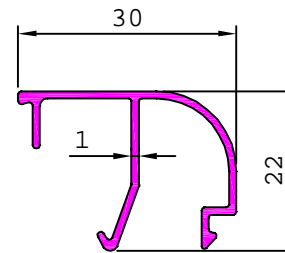
1.062 kg/m



MATCHING WITH 41549

41509

0.226 kg/m

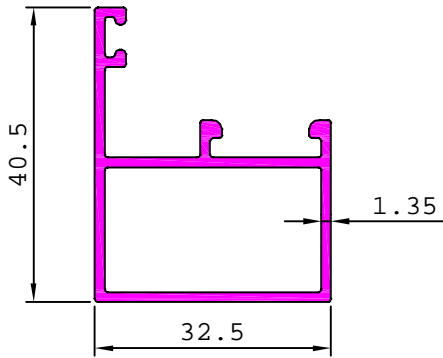


MATCHING WITH 21852,21853,21854

CASEMENT WINDOW

21704

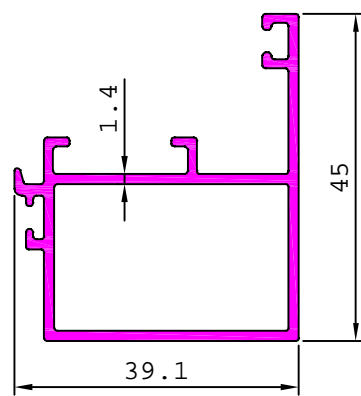
0.524 kg/m



MATCHING WITH 19477,21707

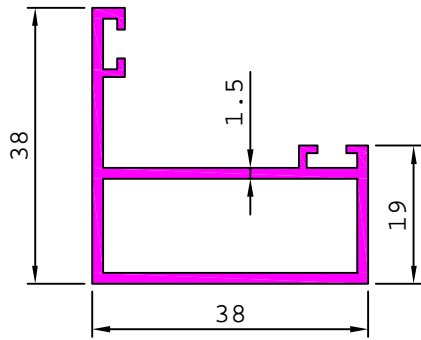
21549

0.620 kg/m



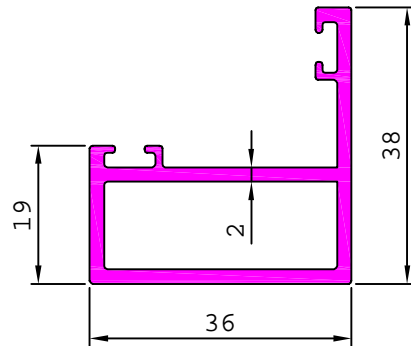
21057

0.559 kg/m



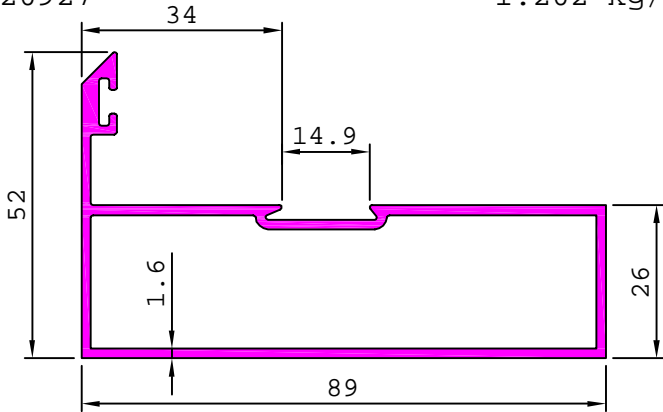
20930

0.701 kg/m



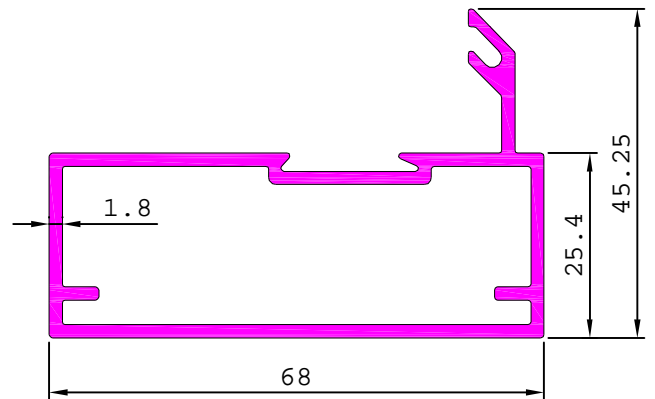
20927

1.202 kg/m



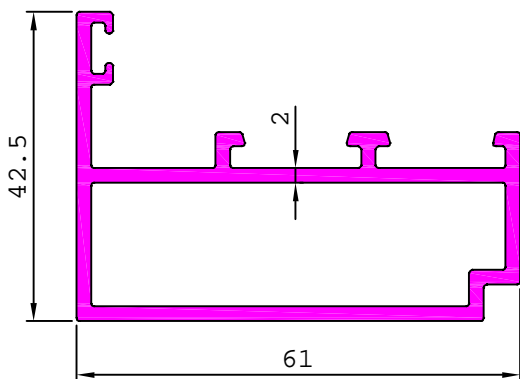
21050

1.088 kg/m



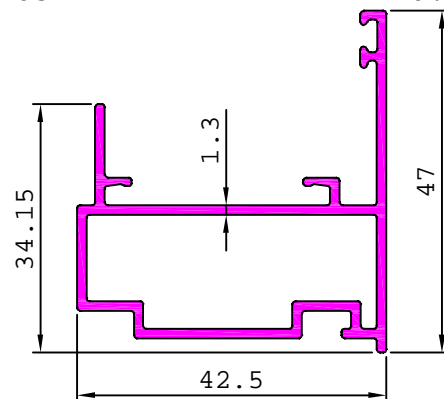
S5095

1.110 kg/m



G101051

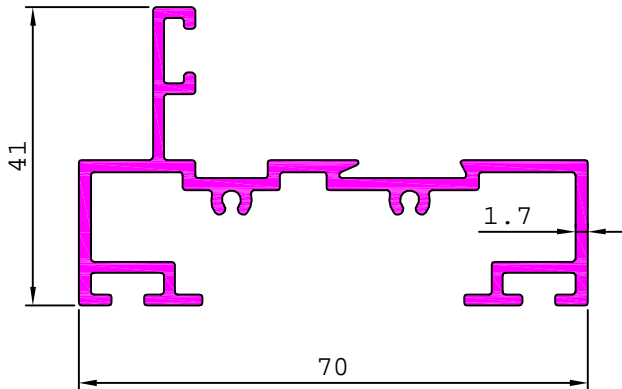
0.645 kg/m



CASEMENT WINDOW

21105

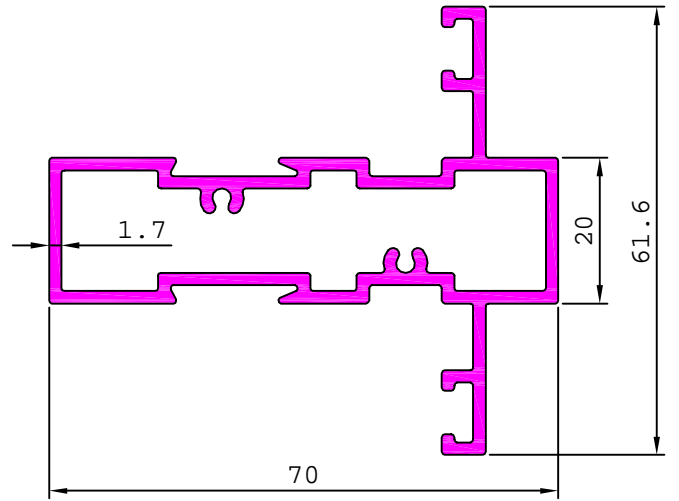
0.940 kg/m



MATCHING WITH 19397

21106

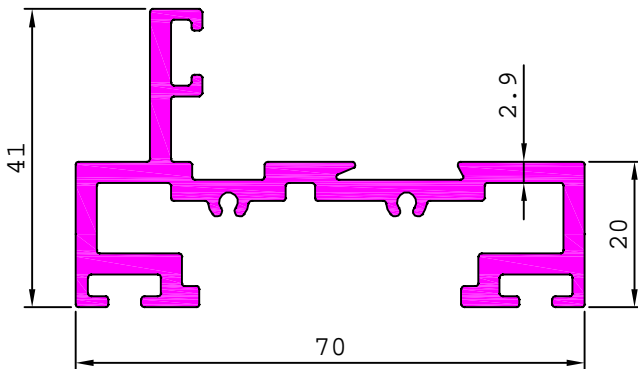
1.265 kg/m



MATCHING WITH 19397

21228

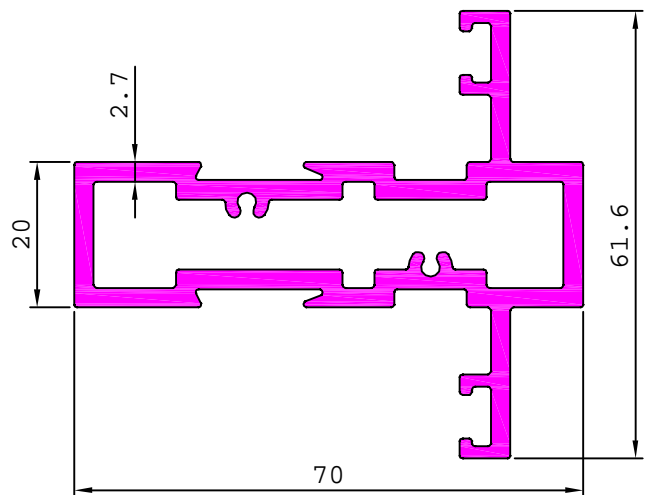
1.445 kg/m



MATCHING WITH 19411

21227

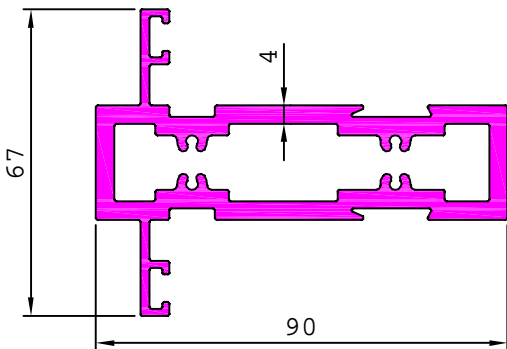
1.843 kg/m



MATCHING WITH 19411,21226

46025

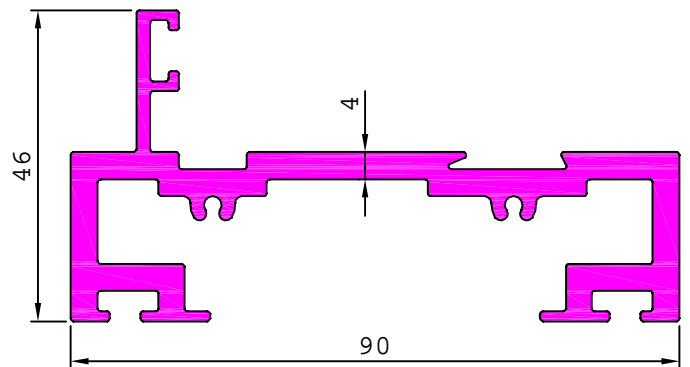
2.979 kg/m



MATCHING WITH 19398

46024

2.195 kg/m

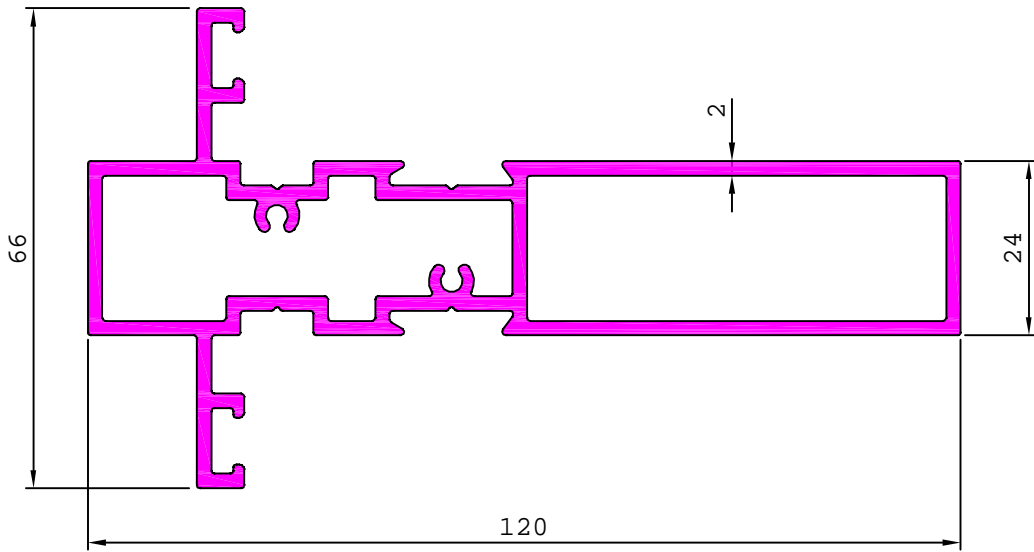


MATCHING WITH 19398

CASEMENT WINDOW

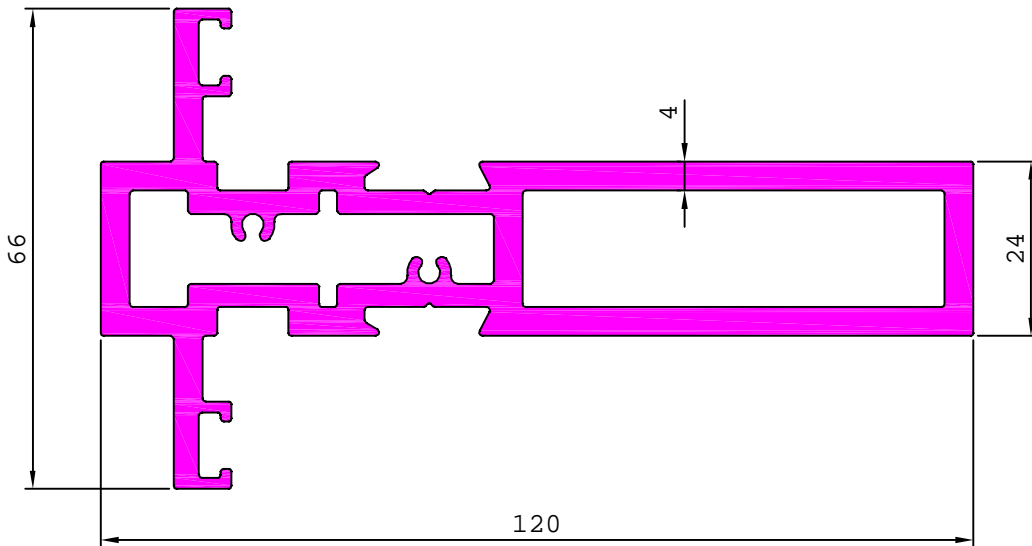
21279

2.182 kg/m



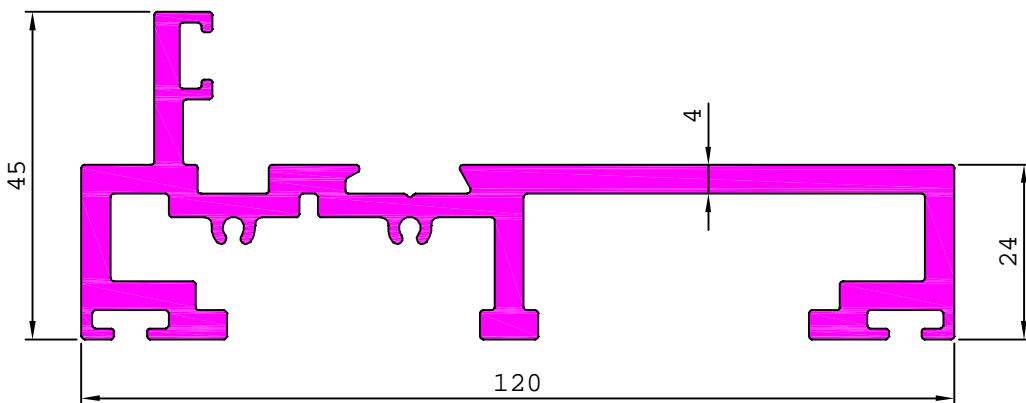
21479

3.820 kg/m



21478

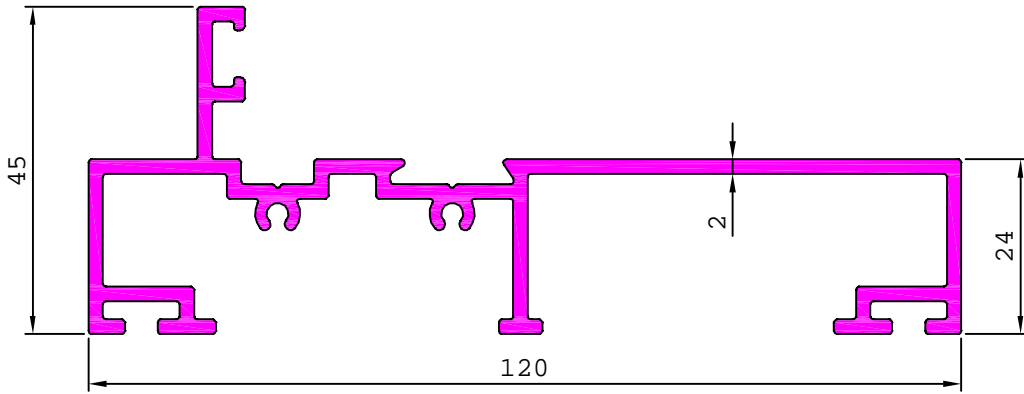
2.819 kg/m



CASEMENT WINDOW

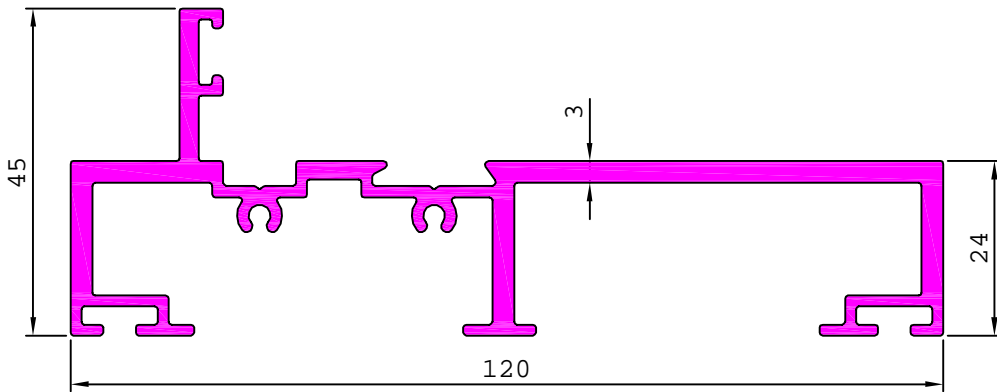
21280

1.630 kg/m



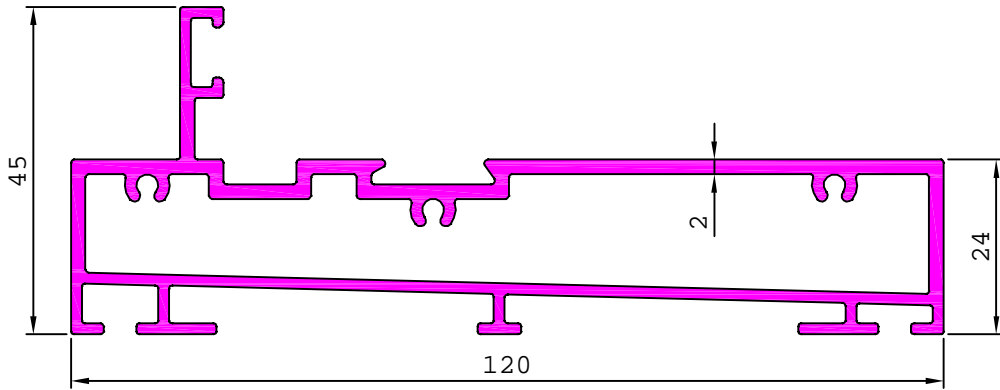
21274

1.873 kg/m



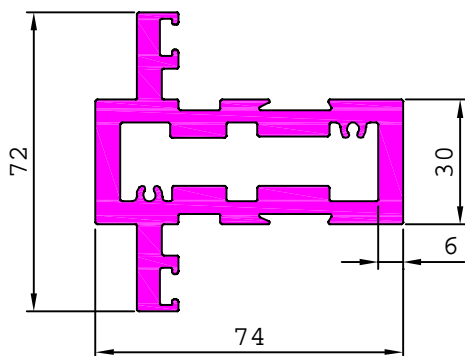
21282

1.859 kg/m



G100316

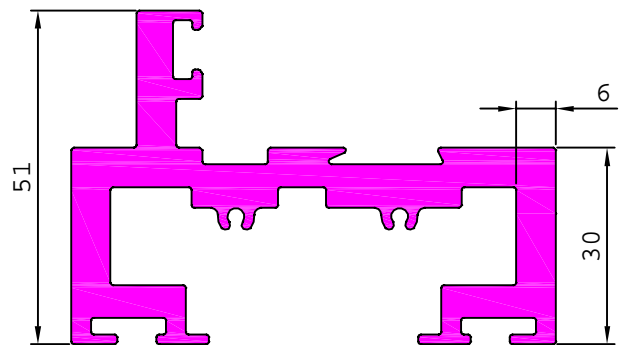
3.911 kg/m



MATCHING WITH 19398

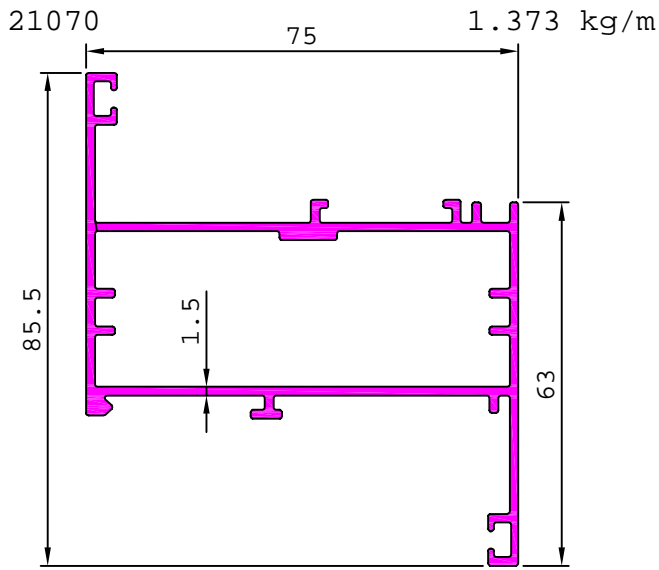
G100315

2.926 kg/m

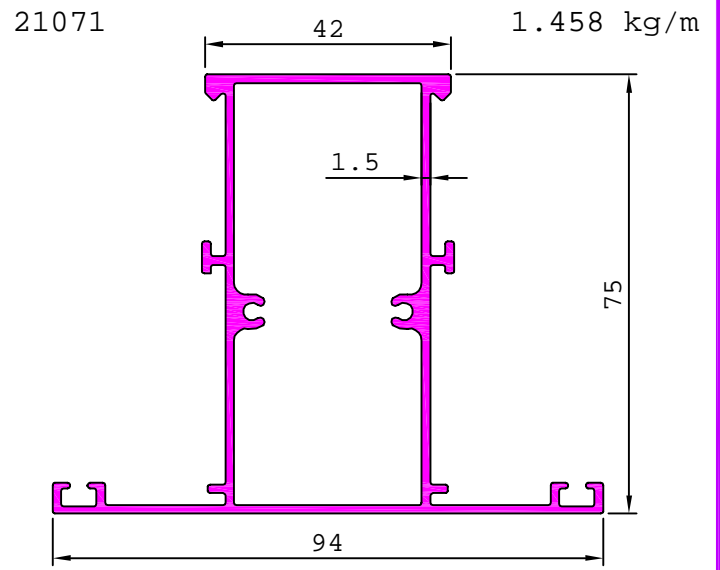


MATCHING WITH 19398

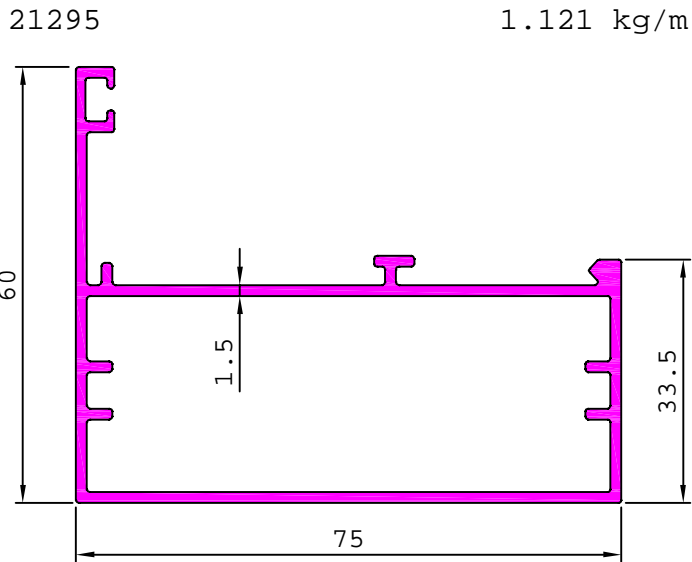
CASEMENT WINDOW



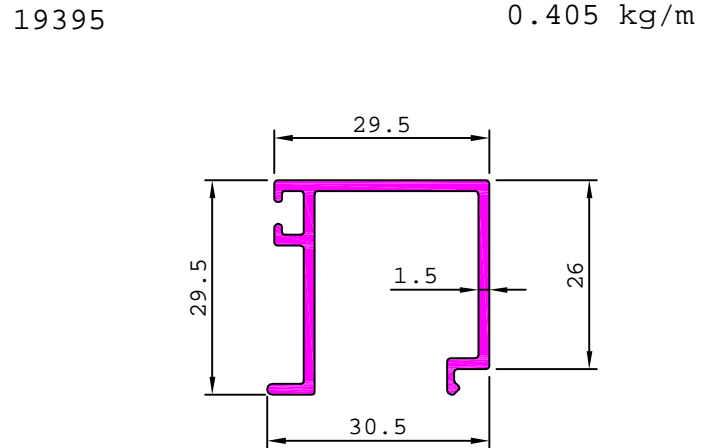
MATCHING WITH 19395



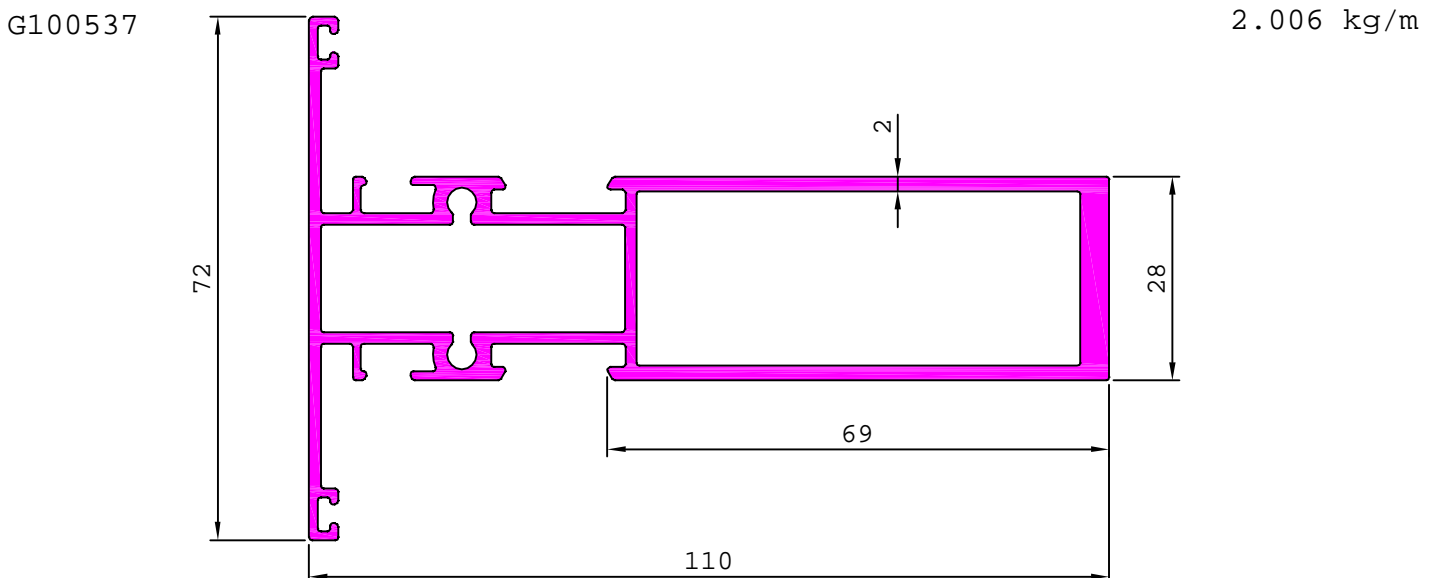
MATCHING WITH 19395



MATCHING WITH 19395



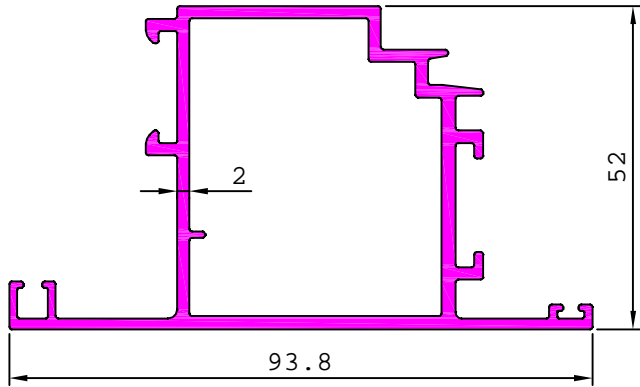
MATCHING WITH 21295,21070,21071



CASEMENT WINDOW

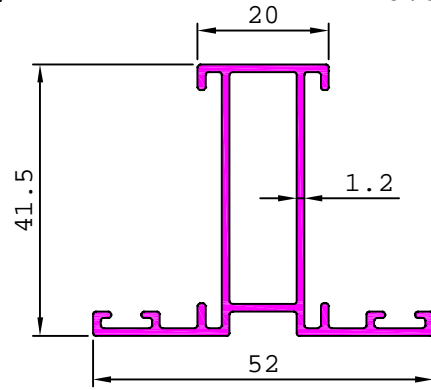
S4653

1.503 kg/m



21177

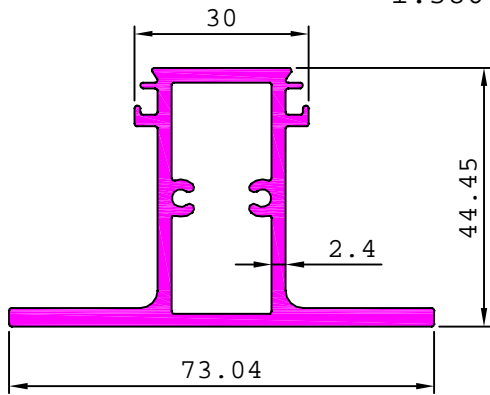
0.579 kg/m



MATCHING WITH 19406

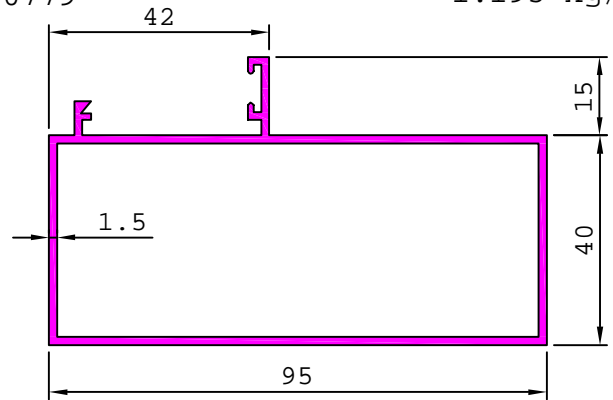
20902

1.386 kg/m



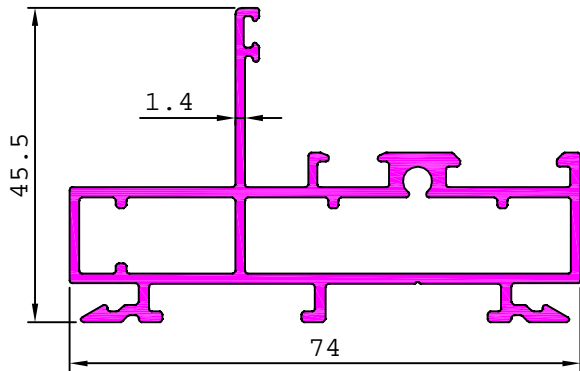
20779

1.195 kg/m



21796

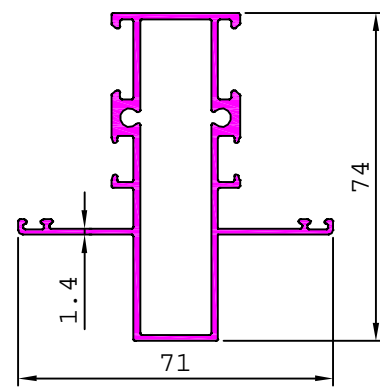
1.162 kg/m



MATCHING WITH 19495

21797

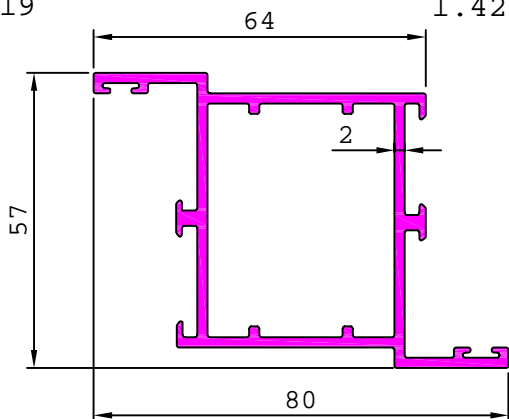
1.226 kg/m



MATCHING WITH 19495

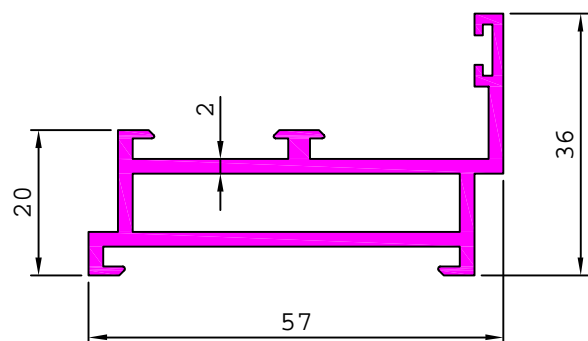
21119

1.426 kg/m



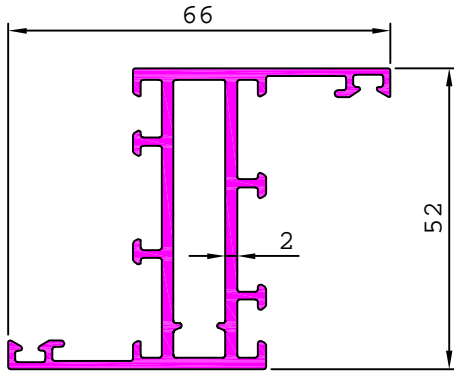
20989

0.918 kg/m



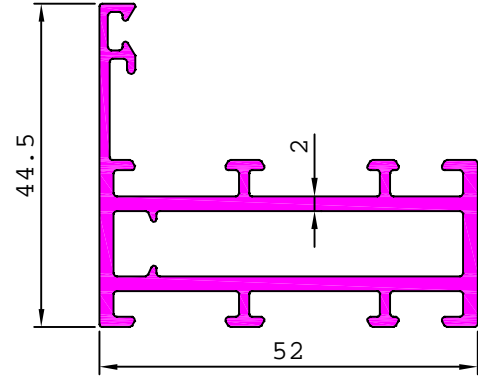
CASEMENT WINDOW

21871 1.160 kg/m



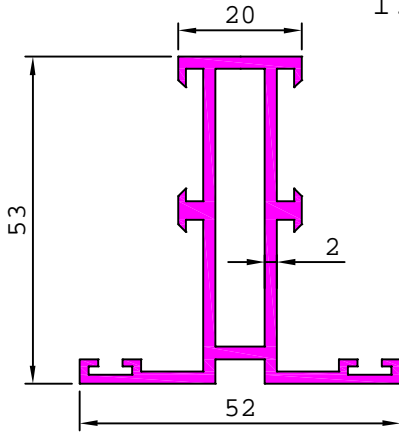
MATCHING WITH 41517

21872 1.054 kg/m

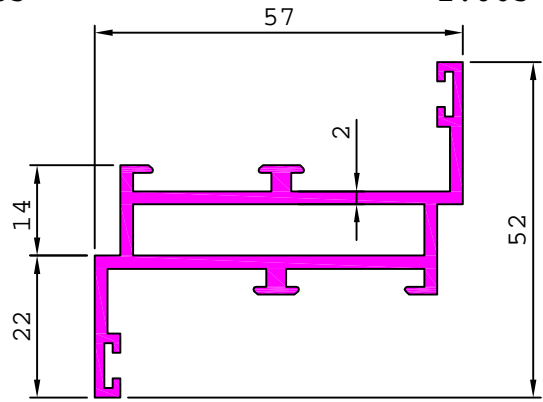


MATCHING WITH 41517

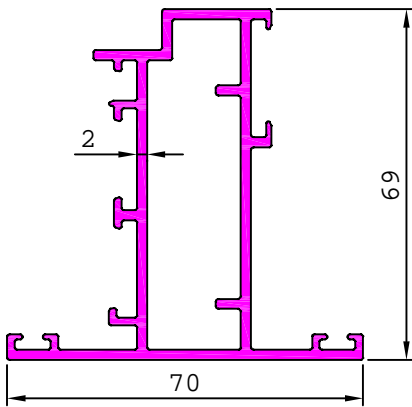
20536 1.065 kg/m



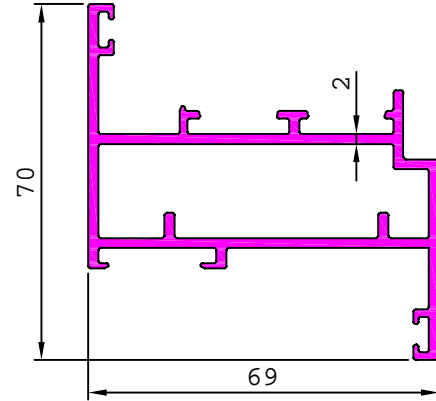
20535 1.065 kg/m



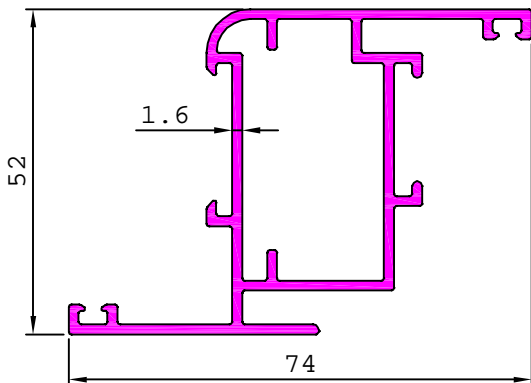
21721 1.532 kg/m



21722 1.501 kg/m

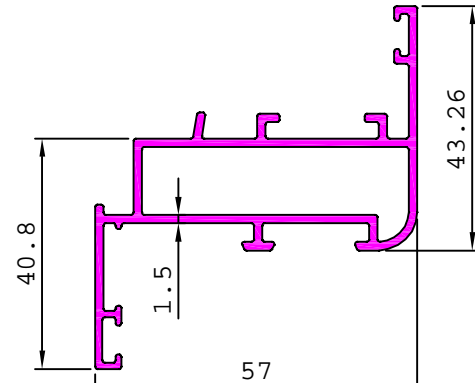


21291 1.121 kg/m



MATCHING WITH 19423

21353 0.940 kg/m

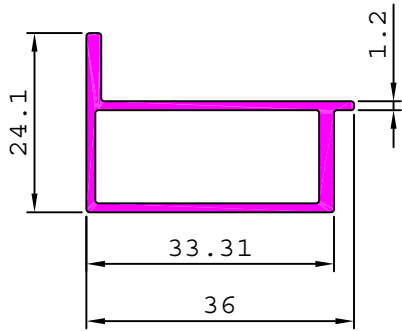


MATCHING WITH 19433

CASEMENT WINDOW

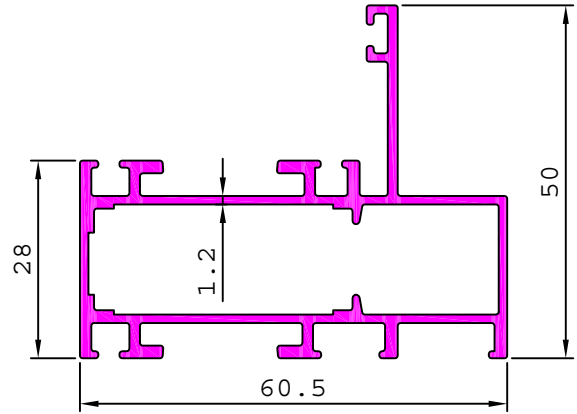
21231

0.382 kg/m



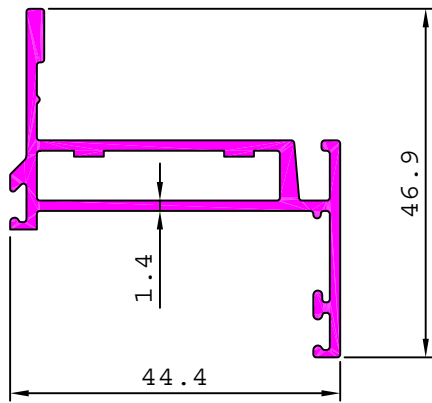
21215

0.959 kg/m



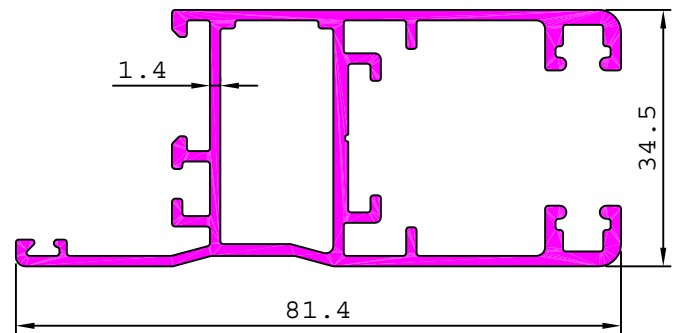
21666

0.653 kg/m



21767

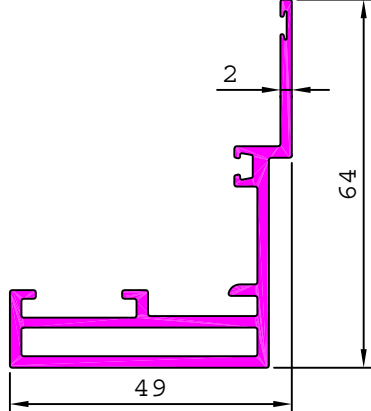
1.169 kg/m



MATCHING WITH 19483

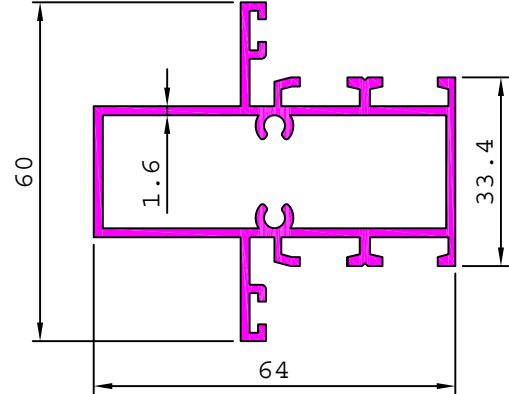
S4687

0.967 kg/m



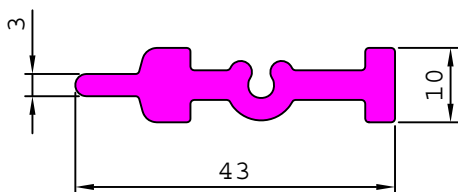
20795

1.233 kg/m



S5241

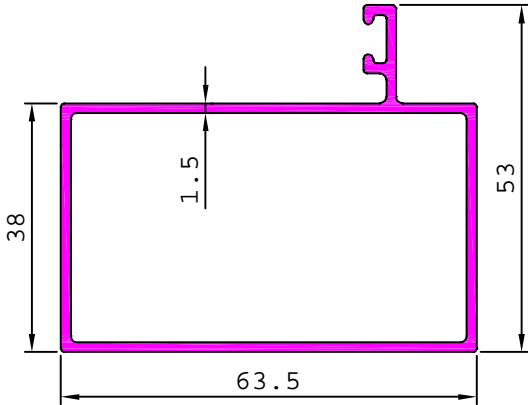
0.638 kg/m



CASEMENT WINDOW

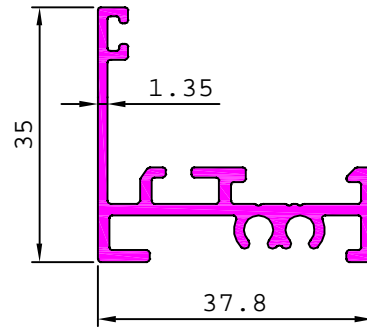
21865

0.901 kg/m



21762

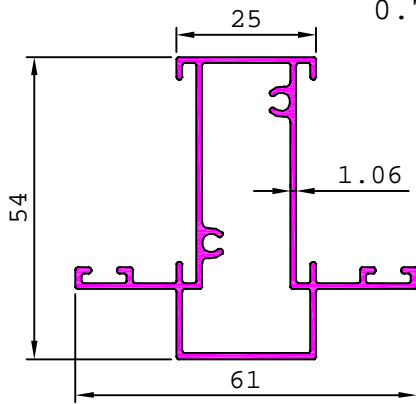
0.546 kg/m



MATCHING WITH 19487,19488

21438

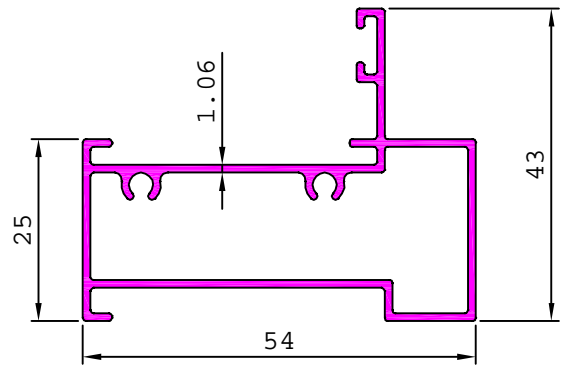
0.706 kg/m



MATCHING WITH 19406

21439

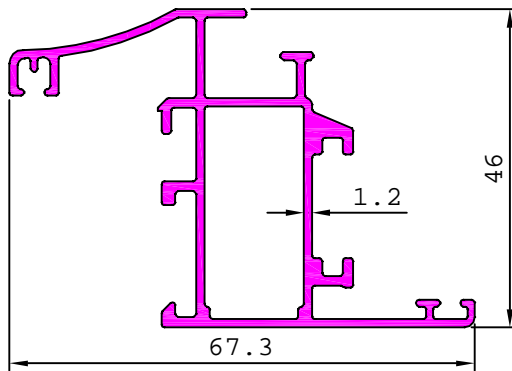
0.620 kg/m



MATCHING WITH 19406

21760

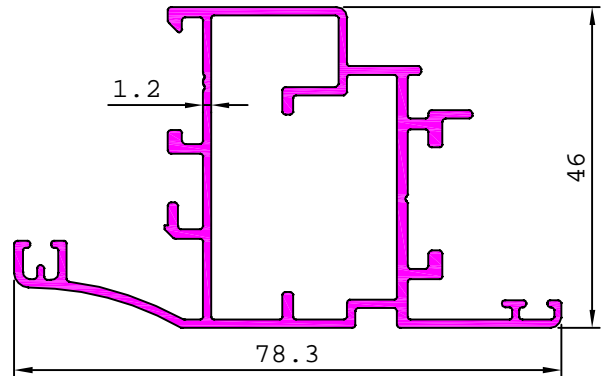
0.841 kg/m



MATCHING WITH 19487,19488

21779

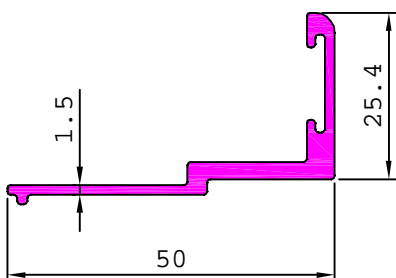
0.989 kg/m



MATCHING WITH 19487,19488

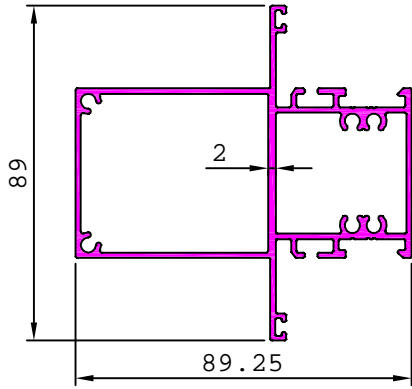
S5240

0.453 kg/m



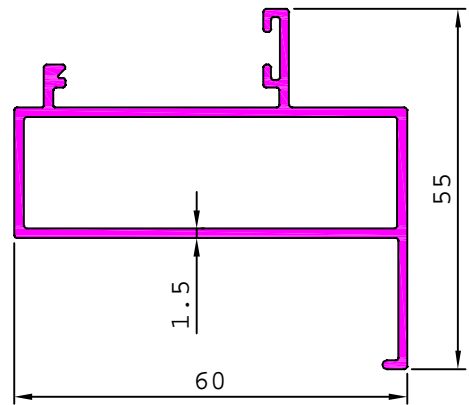
CASEMENT WINDOW

21778 1.795 kg/m

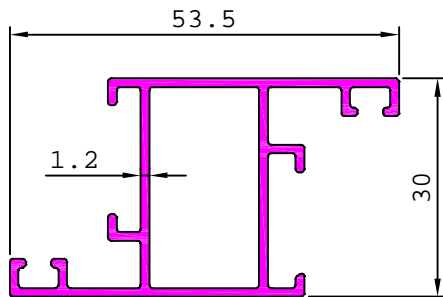


MATCHING WITH 19487 & 19488

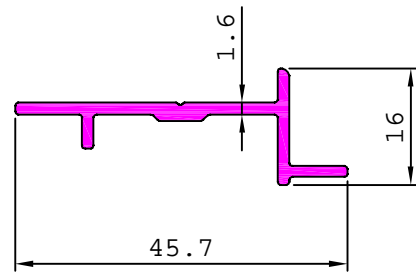
21730 0.835 kg/m



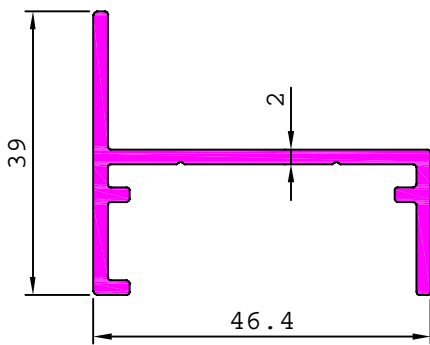
21884 0.566 kg/m



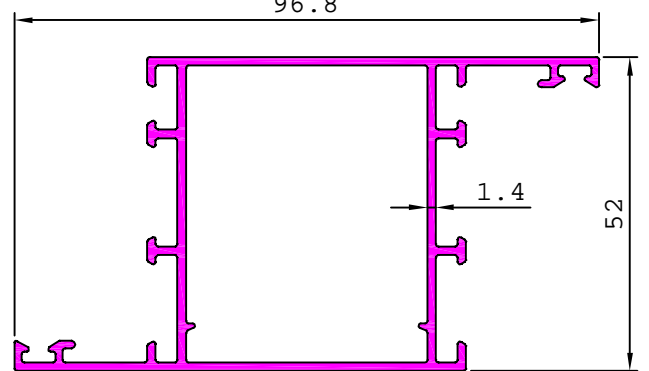
S6422 0.293 kg/m



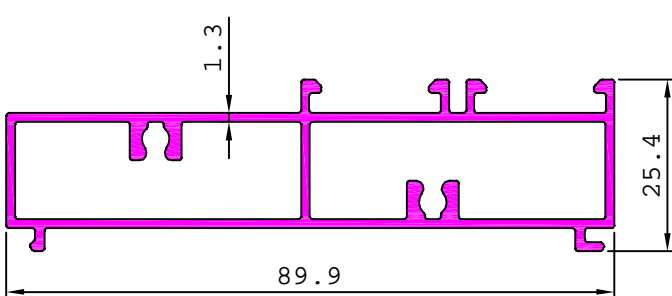
S6497 0.595 kg/m



46015 1.184 kg/m

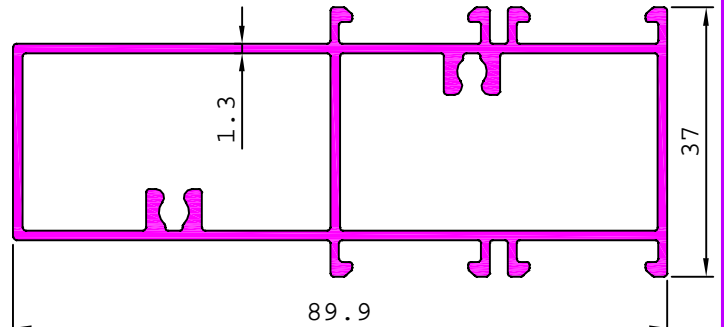


46013 1.056 kg/m



MATCHING SECTION 46012, 41552, 41553

46014 1.222 kg/m

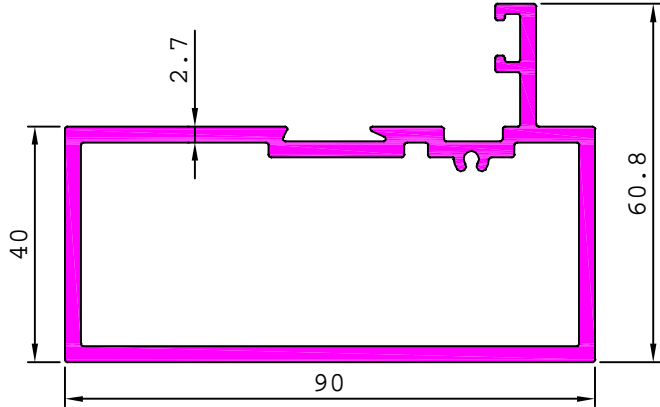


MATCHING SECTION 41552, 41553

CASEMENT WINDOW

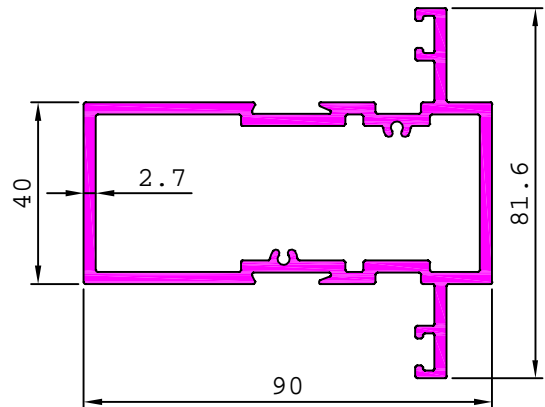
21980

2.115 kg/m



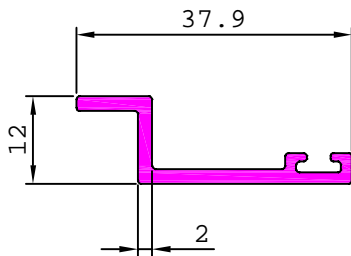
21979

2.414 kg/m



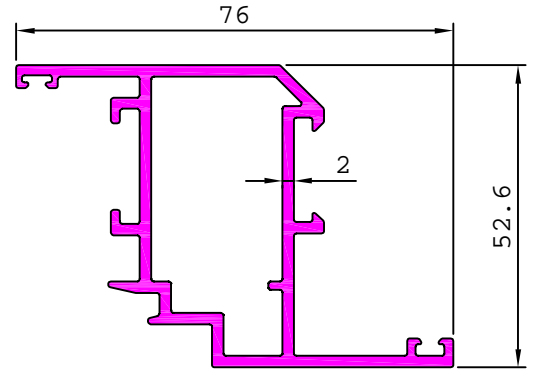
21925

0.277 kg/m



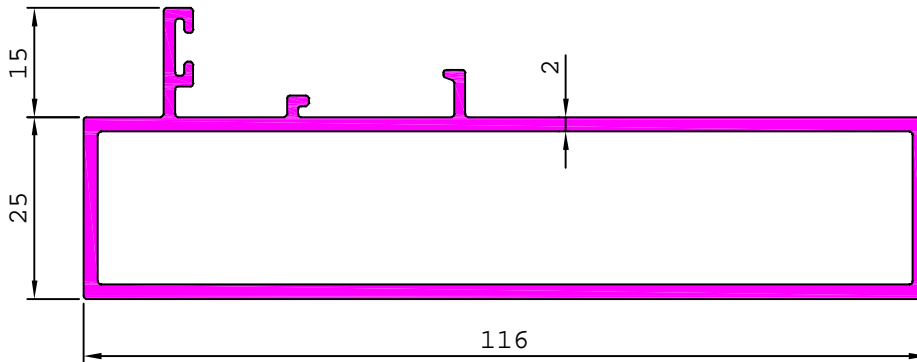
46106

1.312 kg/m



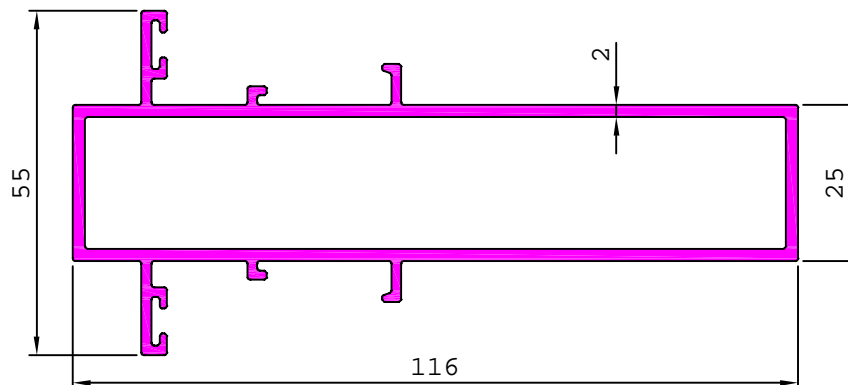
G100259

1.627 kg/m



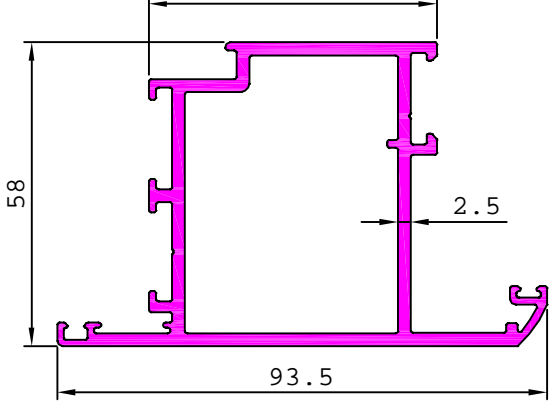
G100260

1.774 kg/m

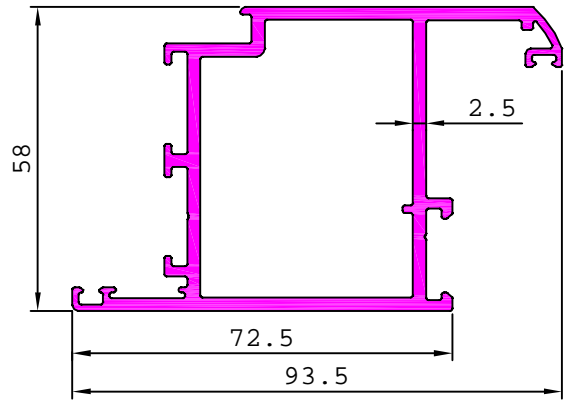


CASEMENT WINDOW

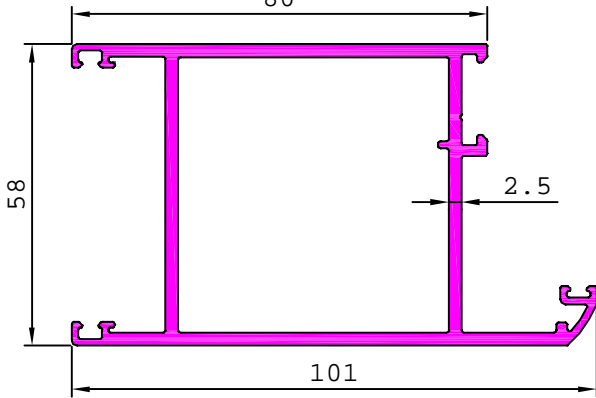
G100322 55 1.886 kg/m



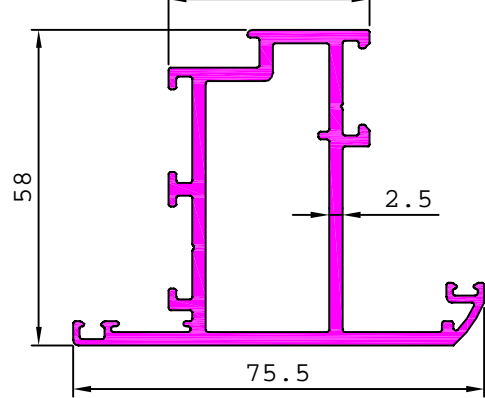
G100323 1.889 kg/m



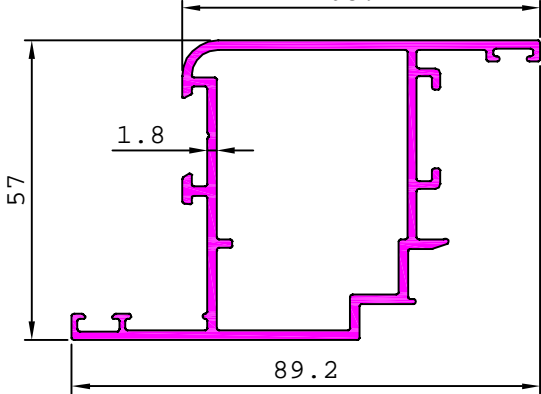
G100324 80 2.018 kg/m



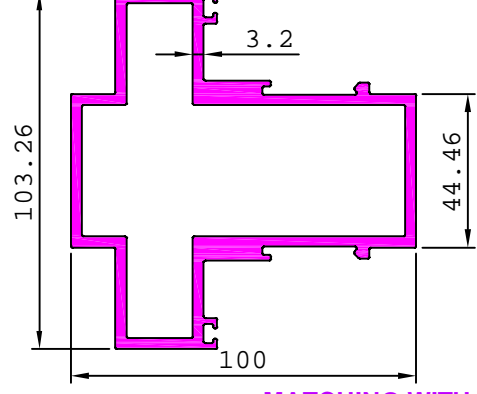
G100326 37 1.648 kg/m



G100439 68.2 1.375 kg/m

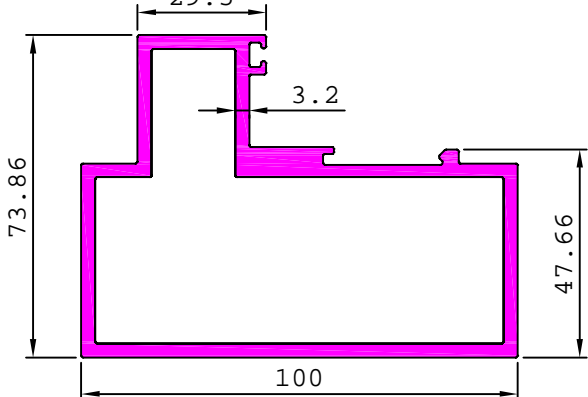


G100682 3.885 kg/m



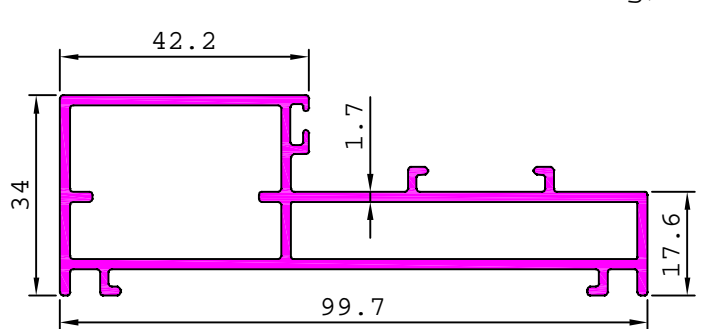
MATCHING WITH 19395

G100683 29.5 3.135 kg/m



MATCHING WITH 19395

G100799 1.408 kg/m

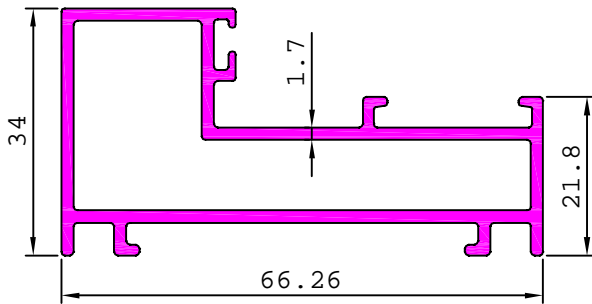


MATCHING WITH G100792

CASEMENT WINDOW

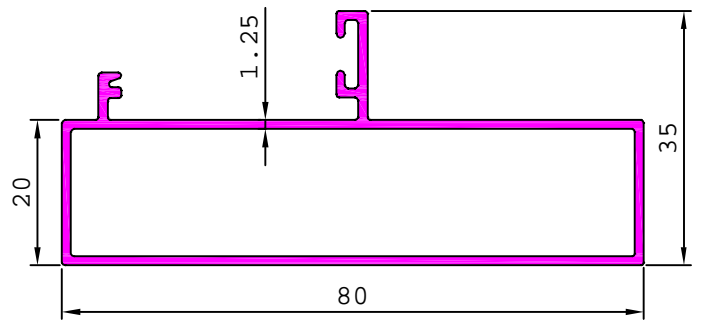
G100798

1.027 kg/m



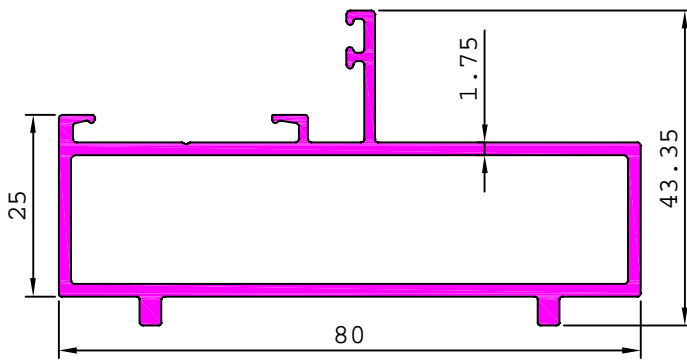
G100872

0.782 kg/m



G101049

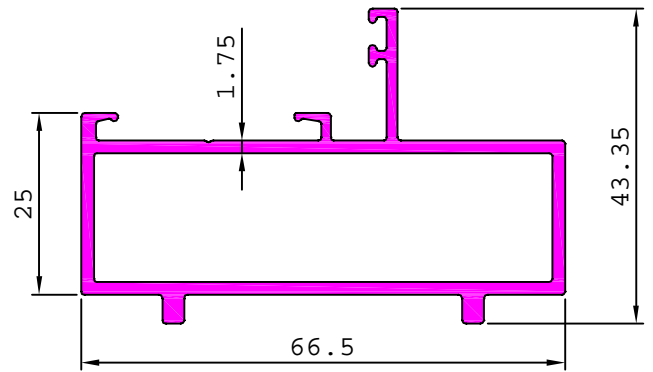
1.136 kg/m



MATCHING WITH S5179

G101067

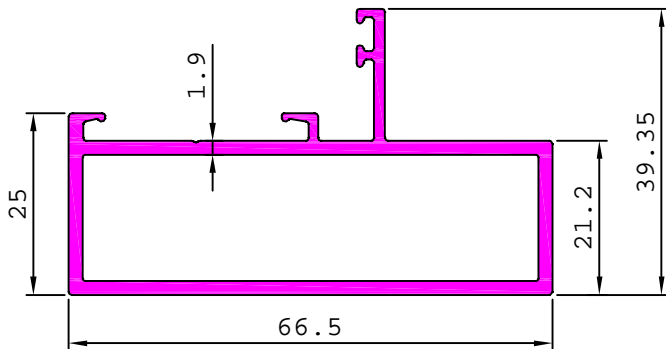
1.008 kg/m



MATCHING WITH S5179

G101068

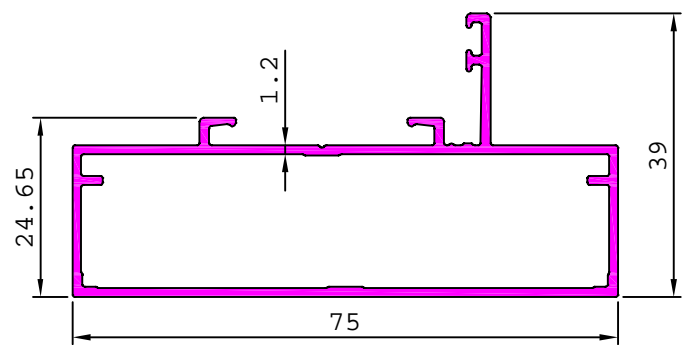
1.009 kg/m



MATCHING WITH S5179

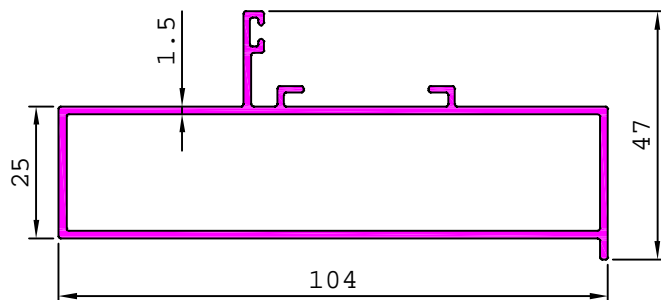
G101077

0.764 kg/m



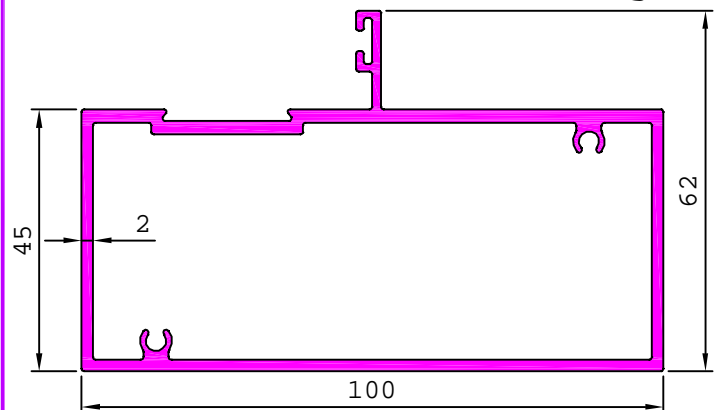
G101274

1.178 kg/m

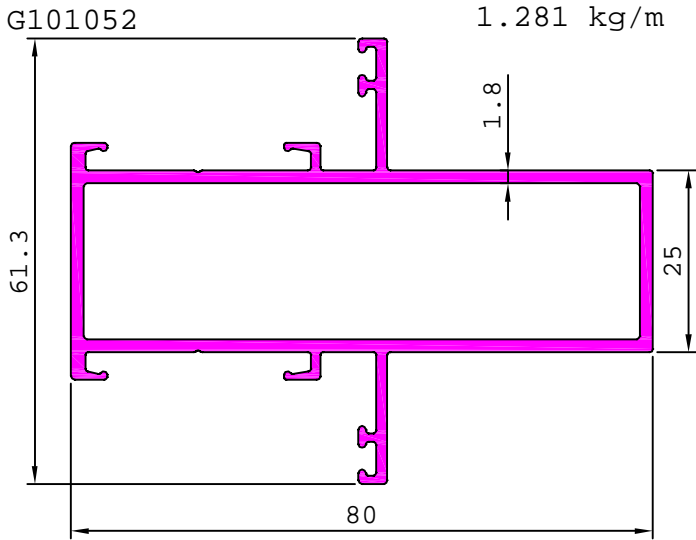


G101764

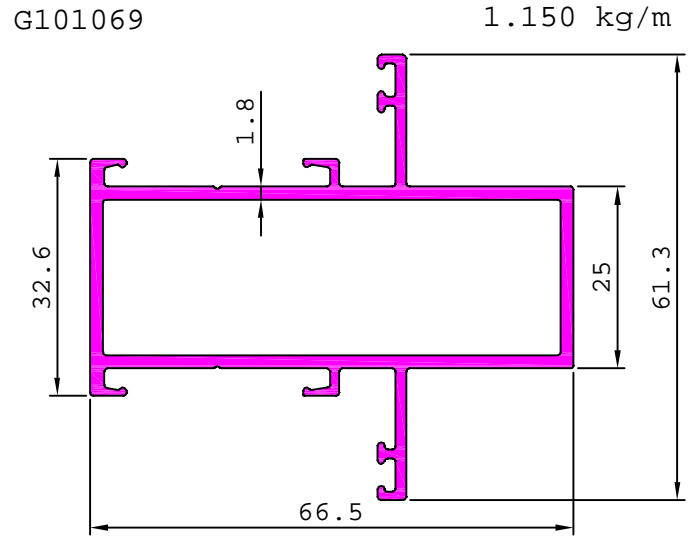
1.810 kg/m



CASEMENT WINDOW



MATCHING WITH S5179



MATCHING WITH S5179

