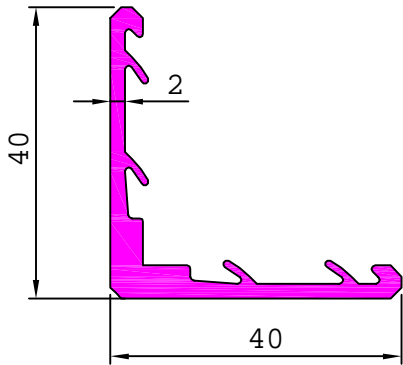


SOLAR POWER SECTION

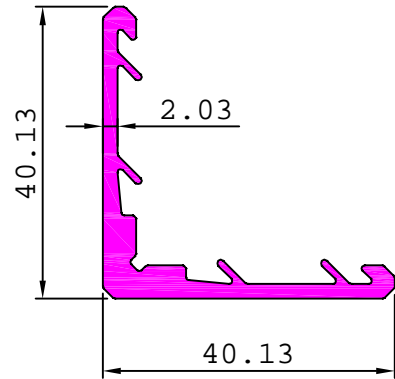
26206

0.622 kg/m



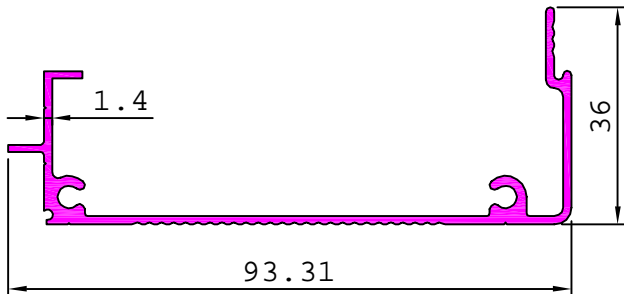
26241

0.633 kg/m



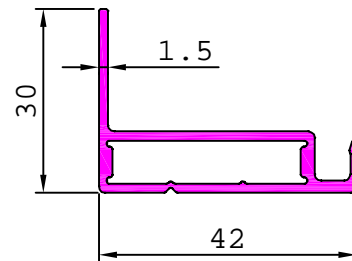
26211

0.688 kg/m



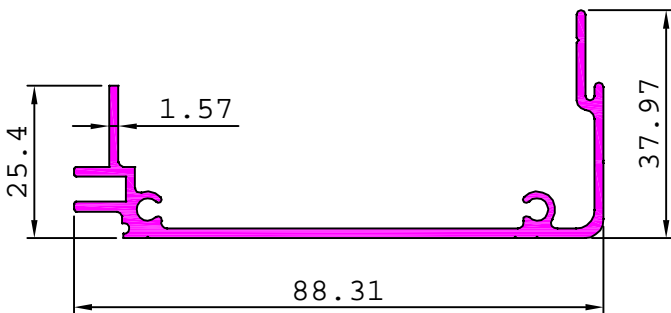
26235

0.494 kg/m



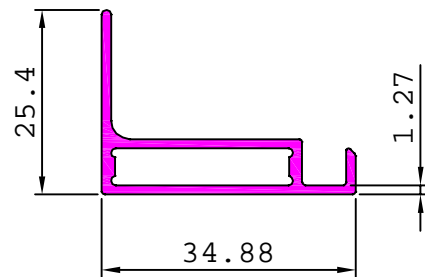
26225

0.829 kg/m



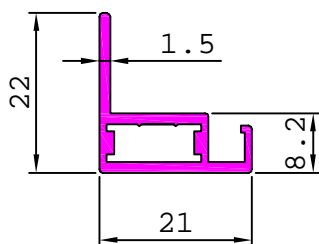
26240

0.339 kg/m



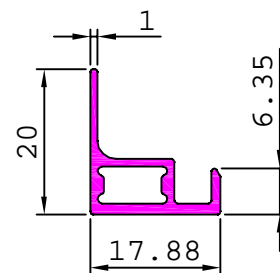
26214

0.261 kg/m

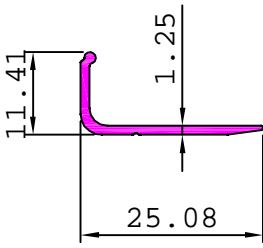
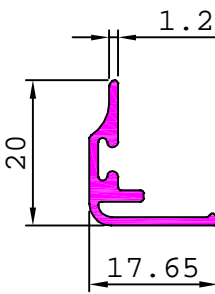
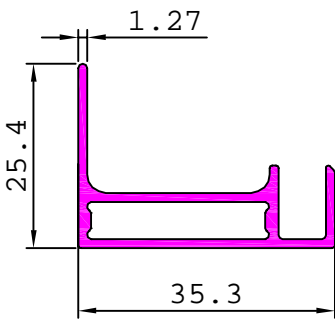
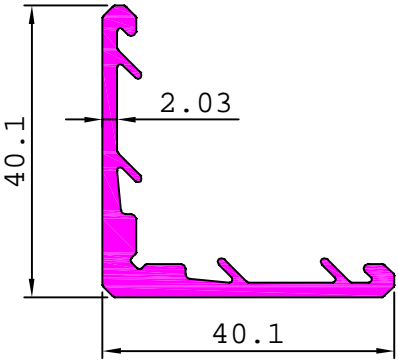
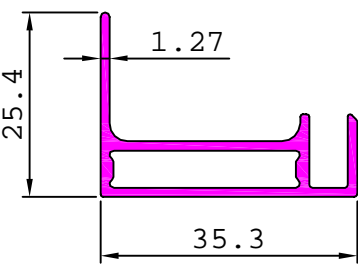
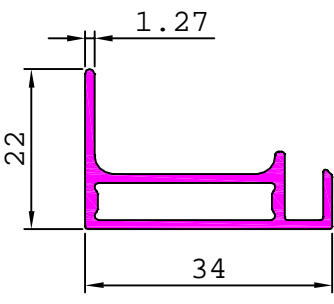
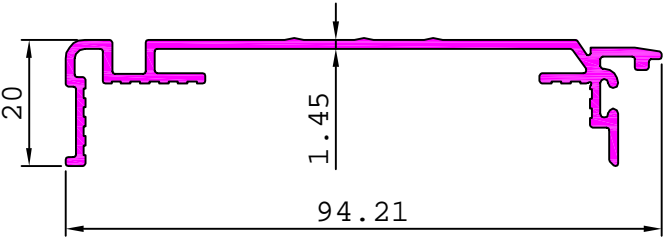
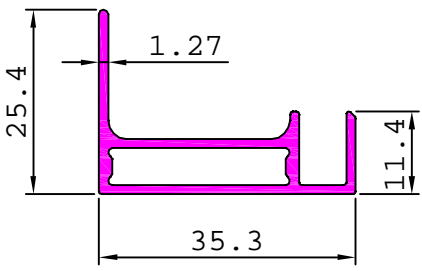


26244

0.198 kg/m

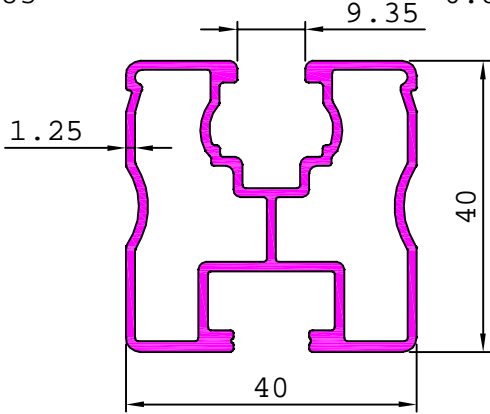


SOLAR POWER SECTION

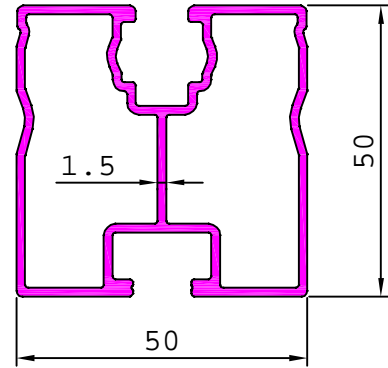
<p>26261 0.113 kg/m</p> 	<p>26267 0.173 kg/m</p> 
<p>26266 0.372 kg/m</p> 	<p>26269 0.631 kg/m</p> 
<p>26270 0.378 kg/m</p> 	<p>26272 0.344 kg/m</p> 
<p>26276 0.680 kg/m</p> 	<p>26259 0.374 kg/m</p> 

SOLAR POWER SECTION

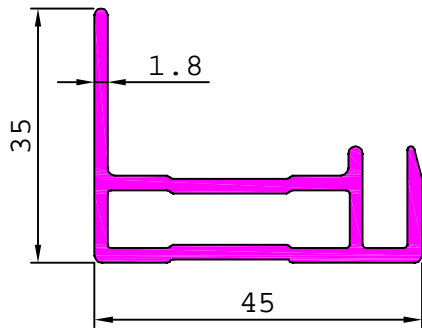
26283 0.862 kg/m



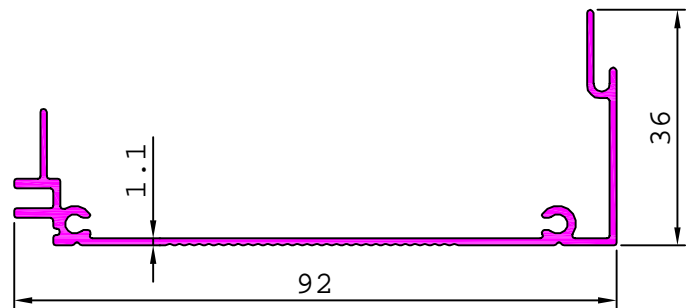
38011 1.176 kg/m



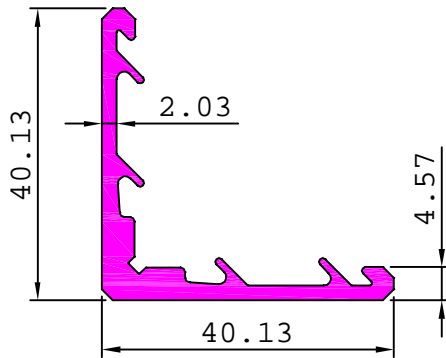
26279 0.721 kg/m



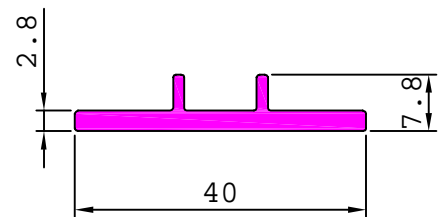
26298 0.520 kg/m



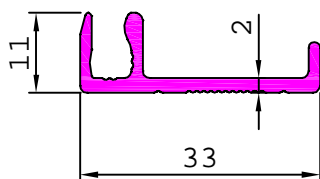
26285 0.648 kg/m



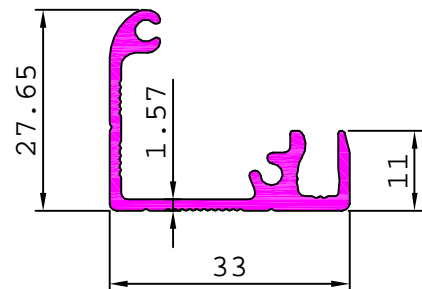
26299 0.343 kg/m



26287 0.273 kg/m



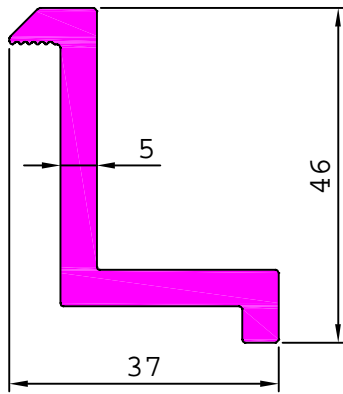
26288 0.419 kg/m



SOLAR POWER SECTION

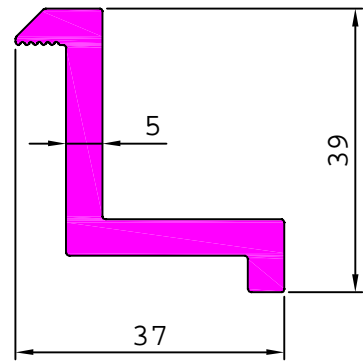
26292

1.028 kg/m



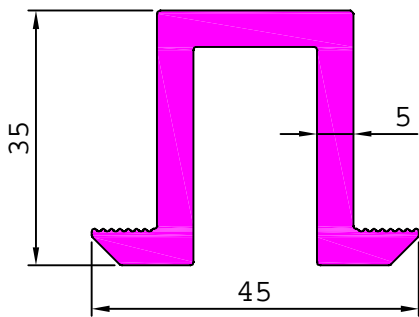
26293

0.933 kg/m



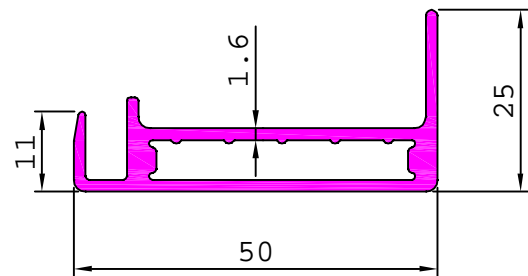
27909

1.365 kg/m



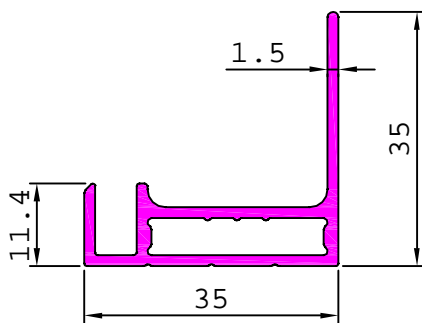
26297

0.642 kg/m



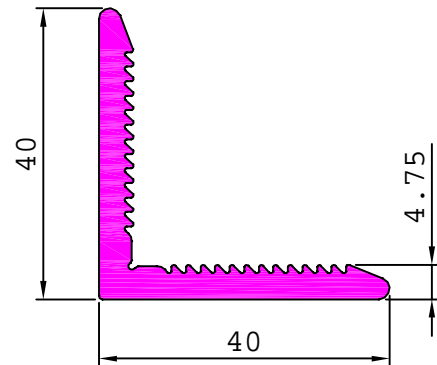
38006

0.473 kg/m



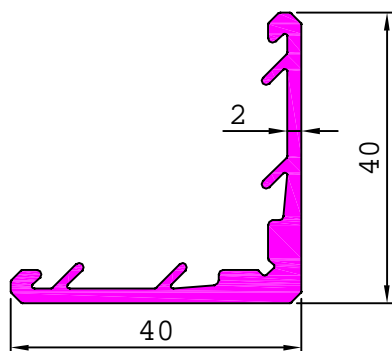
38002

0.837 kg/m



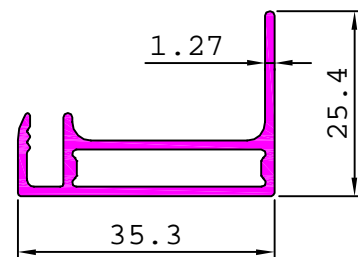
38003

0.636 kg/m



S4483

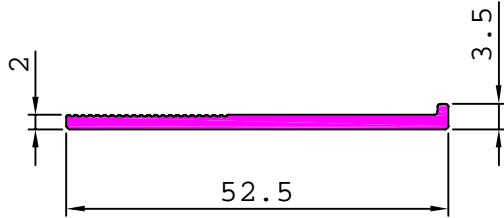
0.380 kg/m



SOLAR POWER SECTION

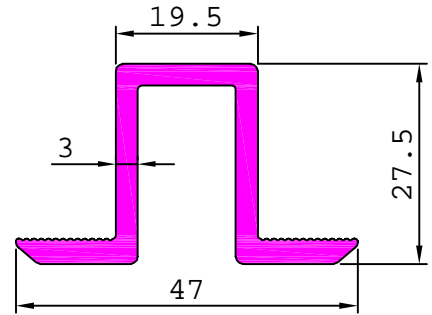
38018

0.280 kg/m



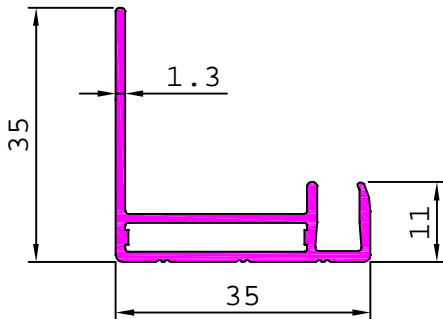
38019

0.782 kg/m



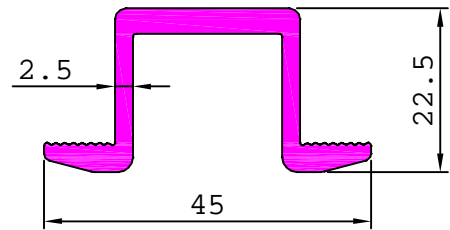
38012

0.402 kg/m



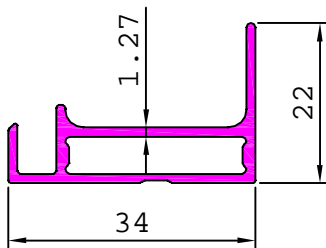
38010

0.660 kg/m



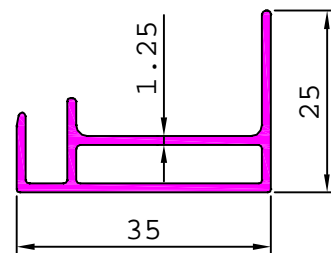
38014

0.339 kg/m



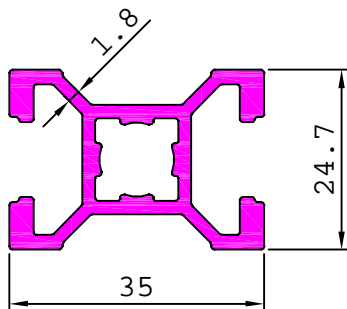
38015

0.359 kg/m



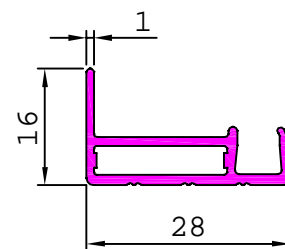
38016

0.719 kg/m



38017

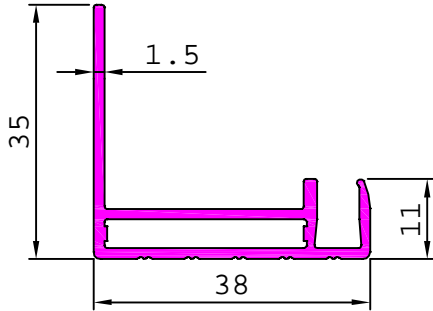
0.251 kg/m



SOLAR POWER SECTION

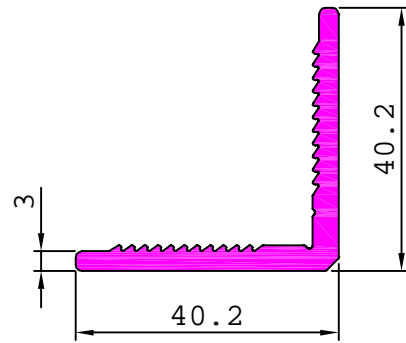
S4923

0.466 kg/m



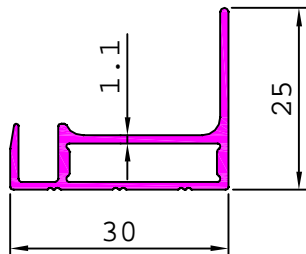
S4924

0.725 kg/m



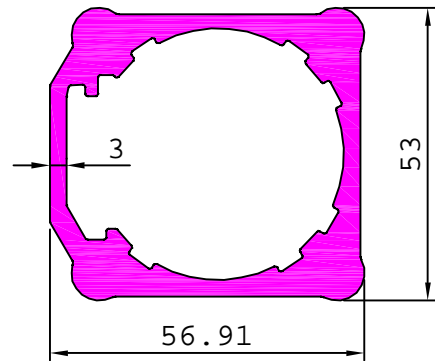
S5899

0.282 kg/m



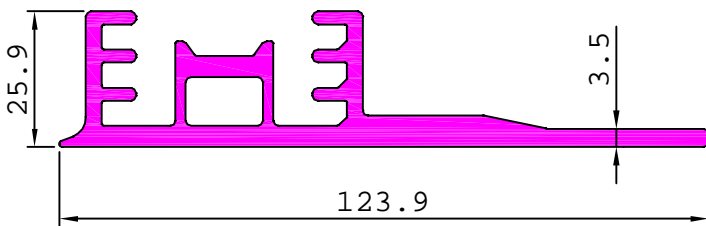
S5984

2.633 kg/m



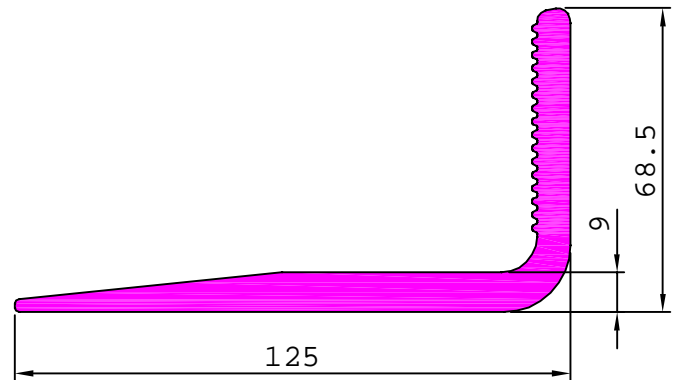
38020

2.398 kg/m



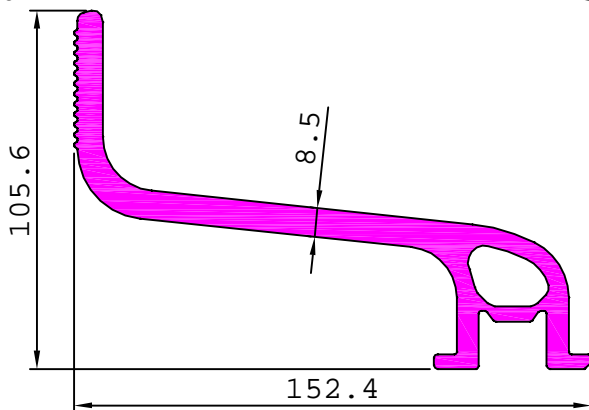
38021

3.715 kg/m



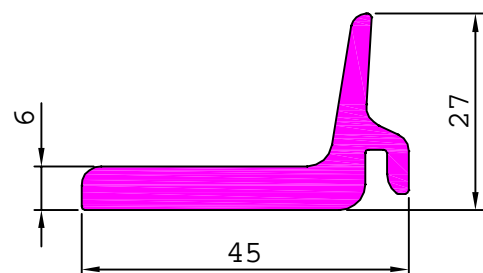
38022

5.590 kg/m

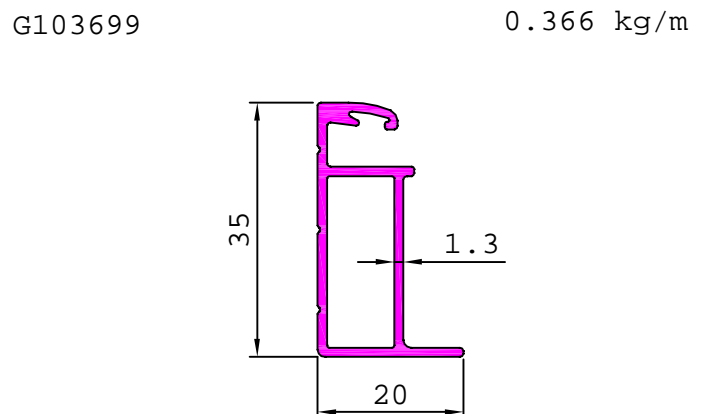
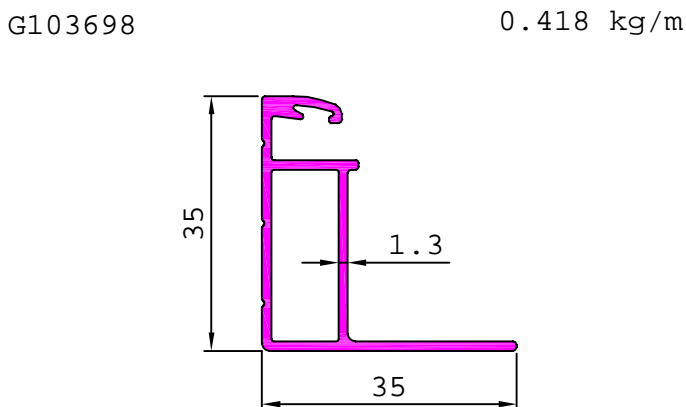
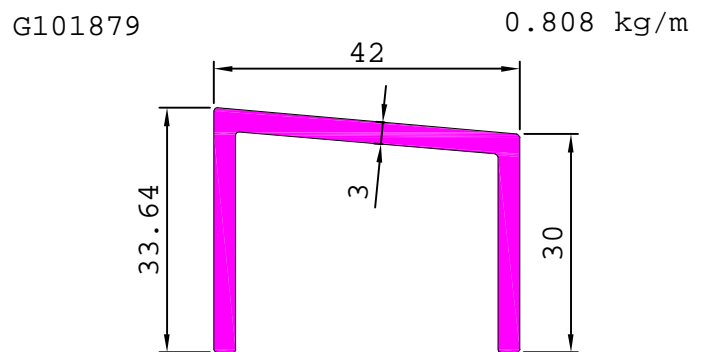
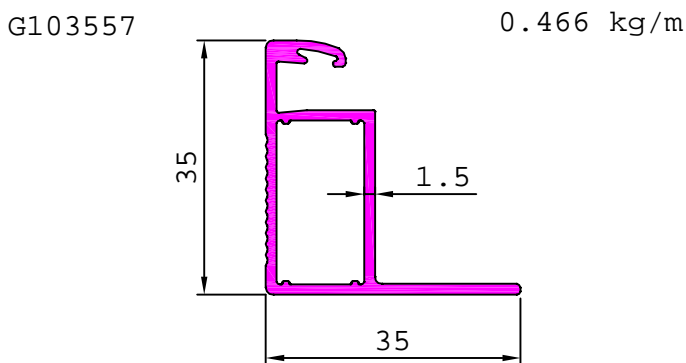
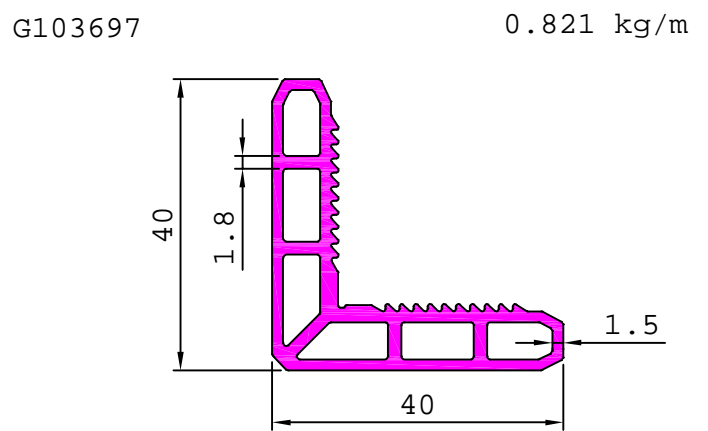
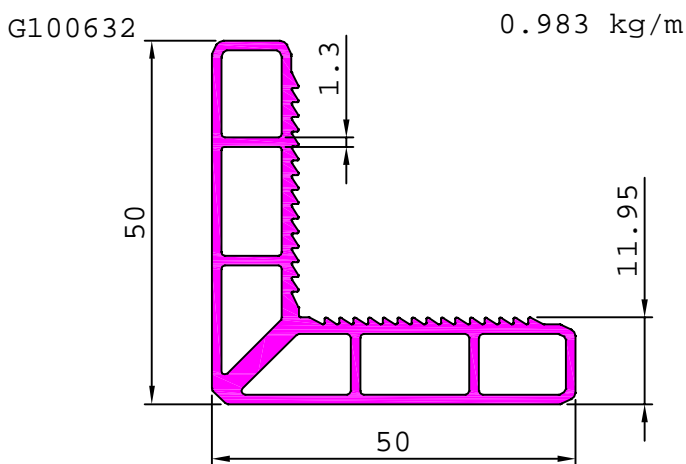
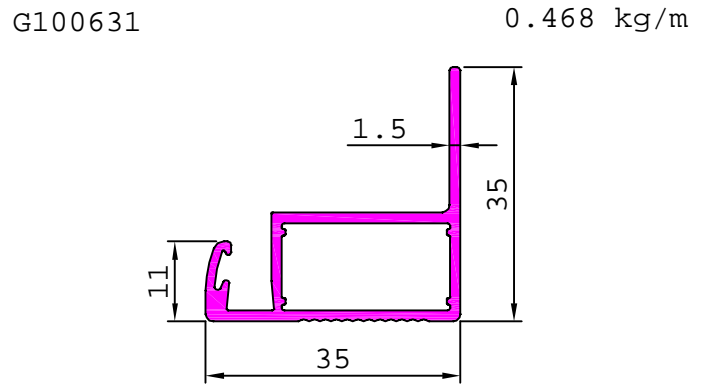
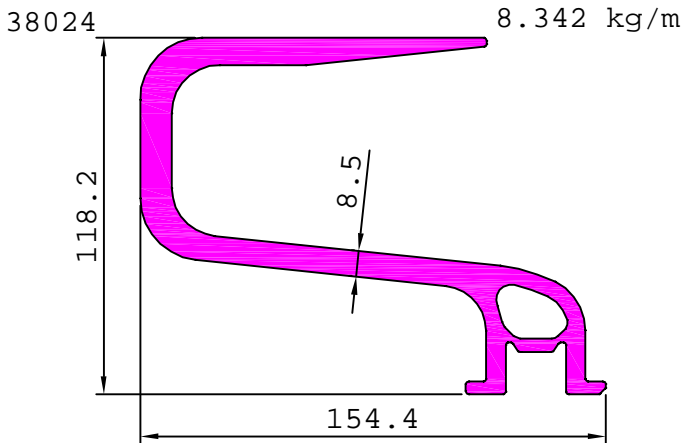


38023

0.922 kg/m



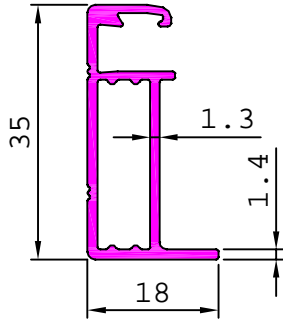
SOLAR POWER SECTION



SOLAR POWER SECTION

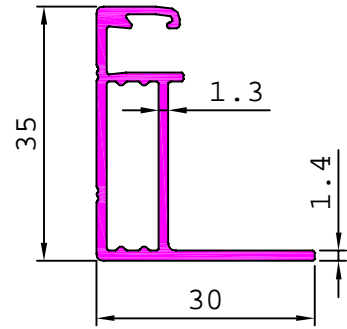
G104367

0.364 kg/m



G104368

0.409 kg/m



G104369

1.048 kg/m

