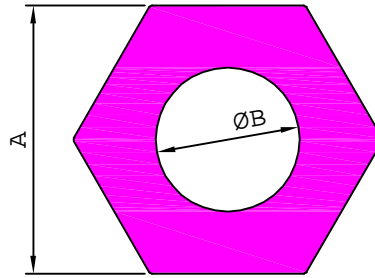


GENERAL SHAPE

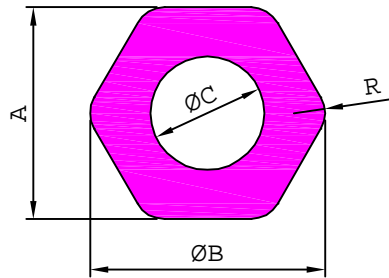
HEXAGONAL TUBE



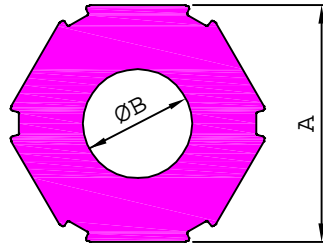
SL. No.	Section No.	A	ØB	Weight kg/m
1	S5742	9.00	7.00	0.085
2	29706	19.05	12.20	0.533
3	28299	22.20	12.00	0.847
4	29572	22.20	14.00	0.737
5	29719	22.25	15.80	0.628
6	29537	25.40	17.00	0.896
7	G103574	27.00	17.50	1.055
8	29540	27.00	19.50	0.898
9	G103153	27.00	20.50	0.813
10	29707	27.06	19.95	0.868
11	29541	27.15	18.00	1.036
12	29538	30.15	22.00	1.099
13	29708	30.17	23.13	0.994
14	29704	31.50	13.50	1.934
15	29519	33.30	25.00	1.267
16	28300	38.10	20.00	2.546
17	29676	39.67	32.00	1.508
18	29677	42.87	35.00	1.700
19	29703	46.00	24.00	3.726
20	29064	46.00	32.00	2.776
21	28822	50.00	24.00	4.624
22	29678	50.75	41.00	2.458
23	28824	55.00	25.00	5.748
24	28823	55.00	33.50	4.693
25	27631	60.00	32.00	6.246
26	27630	60.00	40.00	5.025
27	29143	65.00	52.00	4.145
28	28887	70.00	38.00	8.395
29	28886	70.00	45.00	7.163
30	29144	70.50	58.00	4.488
31	29139	75.00	60.00	5.519
32	28856	75.00	38.00	10.091
33	29142	75.00	55.00	6.738
34	29124	80.00	55.00	8.550
35	27632	85.00	50.00	11.593
36	29125	85.00	60.00	9.260
37	28857	110.00	74.00	16.681
34	28864	110.00	66.00	19.056
35	28858	133.40	80.00	28.039

GENERAL SHAPE

HEXAGONAL TUBE



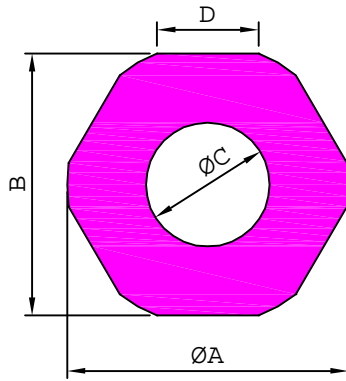
SL. No.	Section No.	A	ØB	C	R	Weight kg/m
1	28990	41.00	45.49	22.00	6.00	2.873
2	29093	65.00	71.96	35.00	10.0	7.194



SL No	SECTION No	A	ØB	WEIGHT kg/m
1	29582	46.00	27.00	3.181
2	29583	46.00	18.00	4.040
3	29597	52.00	24.00	4.826
4	29430	60.00	30.00	6.127
5	29438	65.00	30.00	7.535
6	29439	70.00	38.00	7.885
7	29440	75.00	35.00	9.976
8	29437	90.00	40.00	14.735
9	29443	110.00	52.00	21.296
10	29444	123.00	64.00	25.216
11	29445	133.40	76.00	27.647

GENERAL SHAPE

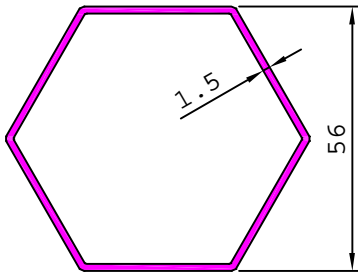
HEXAGONAL TUBE



SL. No.	Section No.	ØA	B	C	D	Weight kg/m
1	29312	54.10	50.80	24.00	18.61	4.651
2	29127	68.07	63.50	30.00	24.52	7.308
3	29183	77.70	73.15	38.00	26.20	9.093

29140

0.764 kg/m



29695

4.330 kg/m

