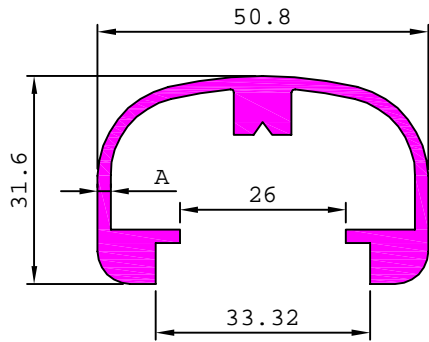
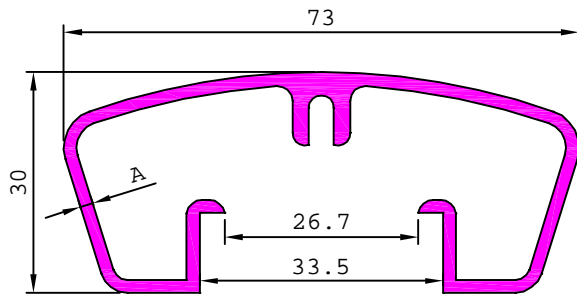


## HAND RAILS



SL. No.	Section No.	A	Weight kg/m
1	<b>19224</b>	1.34	0.855
2	<b>19223</b>	1.92	0.975
3	<b>19206</b>	3.00	1.210



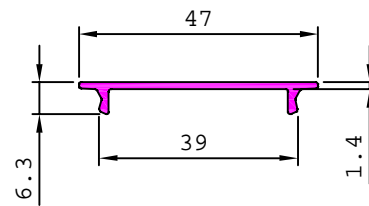
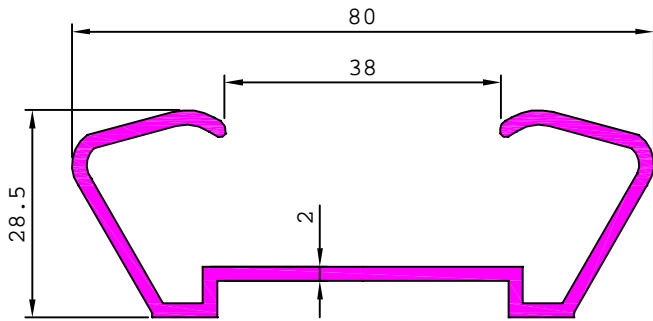
SL. No.	Section No.	A	Weight kg/m
1	<b>19226</b>	1.20	0.684
2	<b>19225</b>	1.65	0.854
3	<b>19207</b>	2.50	1.281

19204

0.851 kg/m

19205

0.221 kg/m

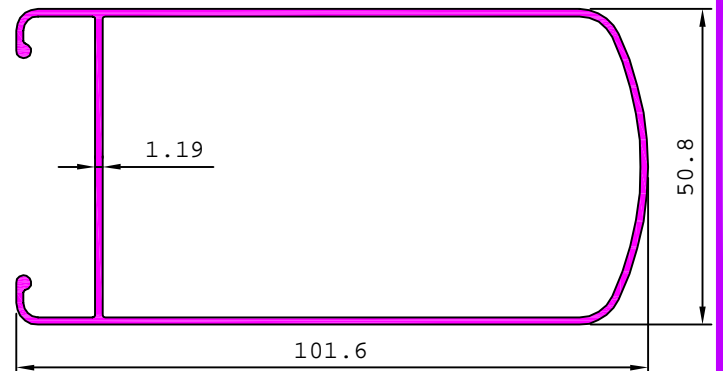
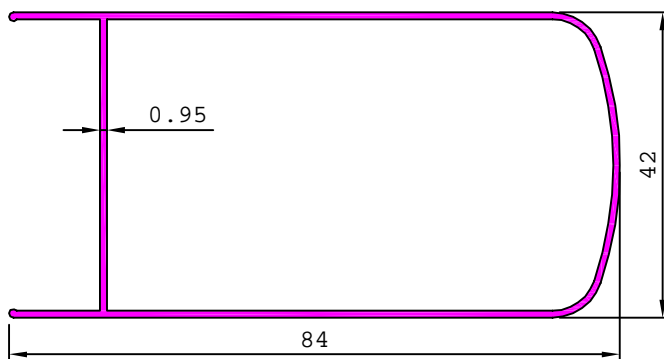


19221

0.612 kg/m

19222

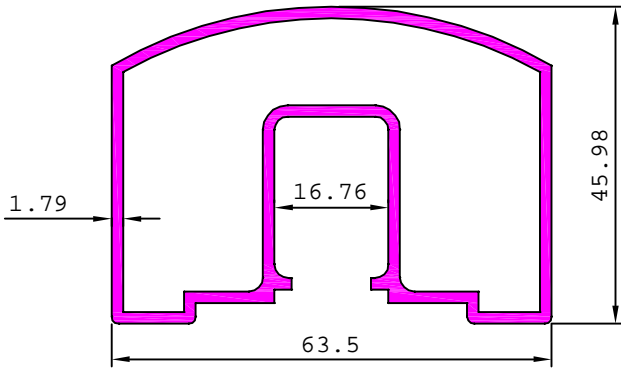
0.970 kg/m



## HAND RAILS

19233

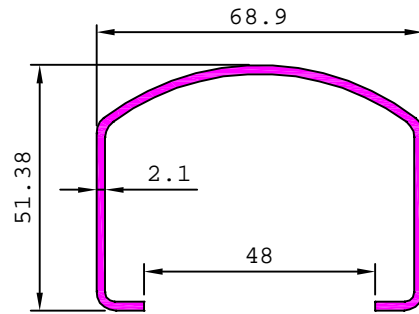
1.268 kg/m



MATCHING WITH 19236

19236

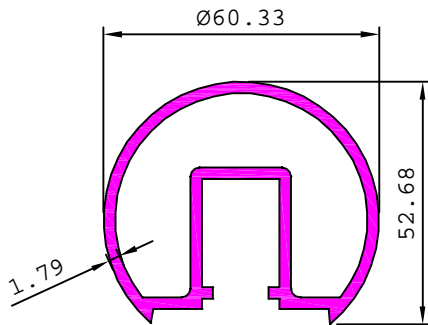
0.926 kg/m



MATCHING WITH 19233

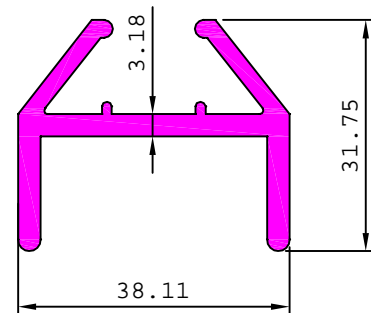
19234

1.191 kg/m



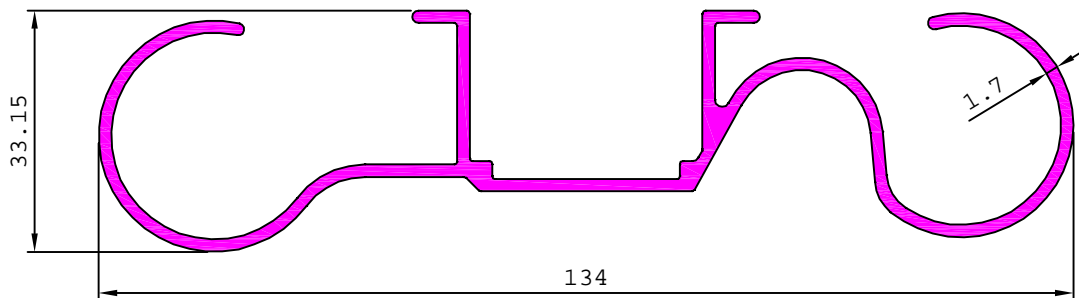
19235

0.819 kg/m



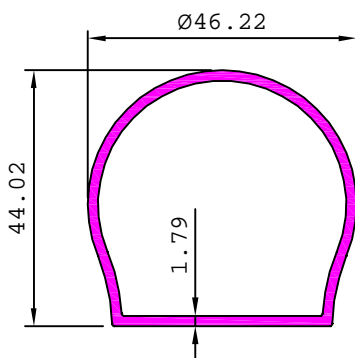
19243

1.327 kg/m



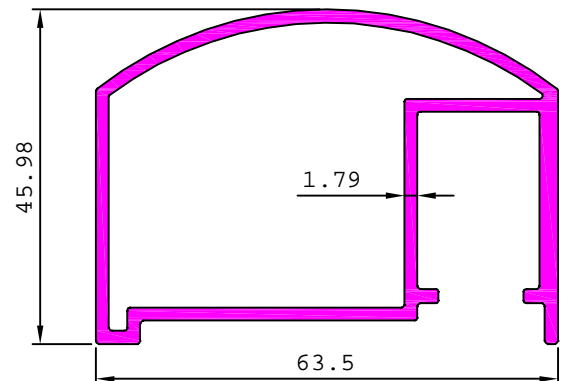
19241

0.711 kg/m



19242

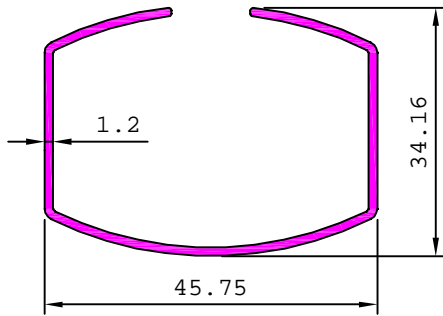
1.179 kg/m



## HAND RAILS

19245

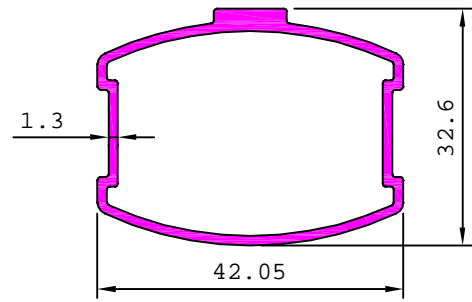
0.409 kg/m



MATCHING WITH 19246

19246

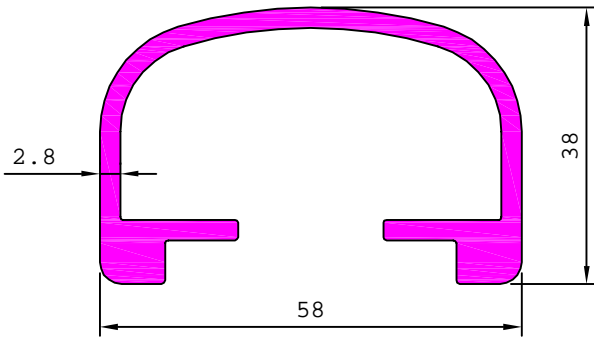
0.509 kg/m



MATCHING WITH 19245

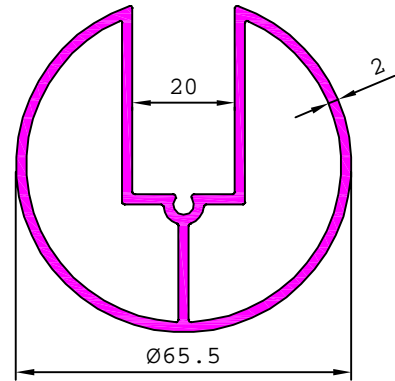
19244

1.290 kg/m



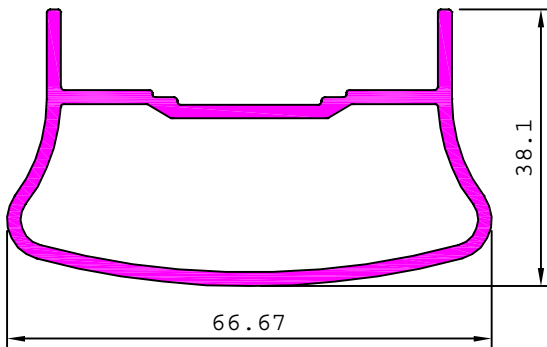
15276

1.604 kg/m



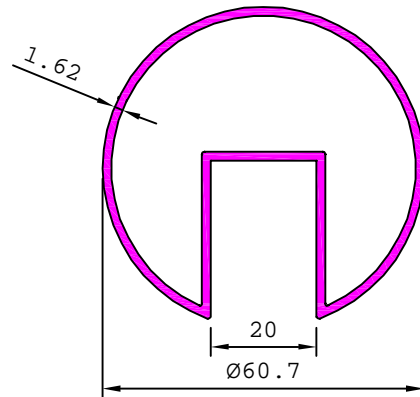
19247

0.946 kg/m



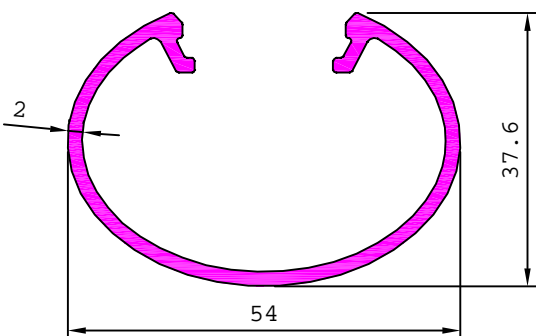
22981

1.069 kg/m



19248

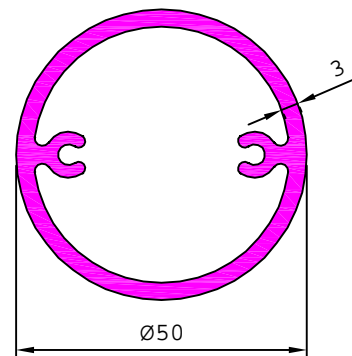
0.727 kg/m



MATCHING WITH 41525

19249

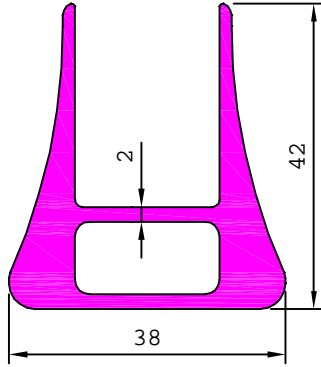
1.410 kg/m



## HAND RAILS

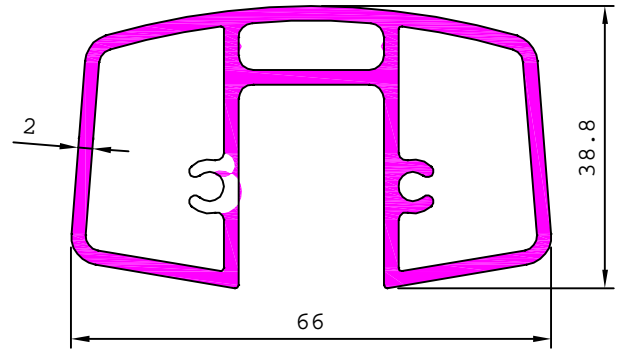
S6194

1.215 kg/m



G104239

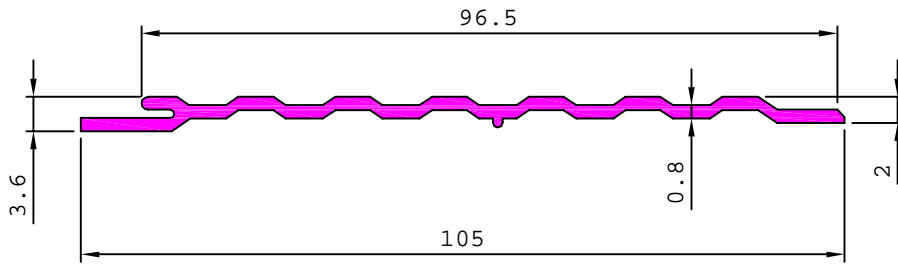
1.451 kg/m



WALL FACINGS

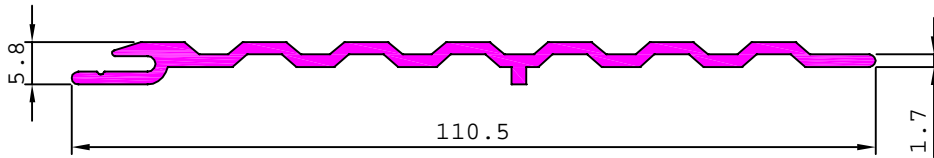
19304

0.303 kg/m



19305

0.607 kg/m



19306

3.748 kg/m

