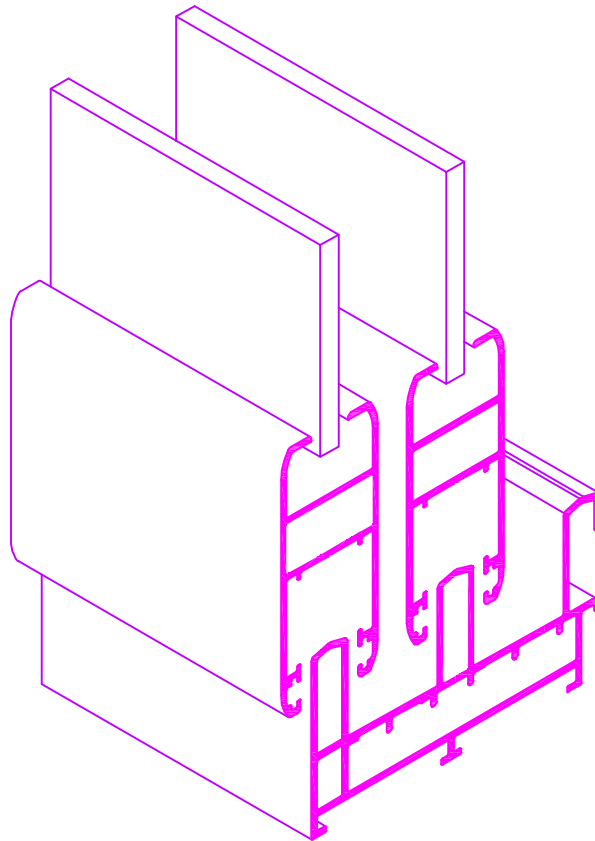
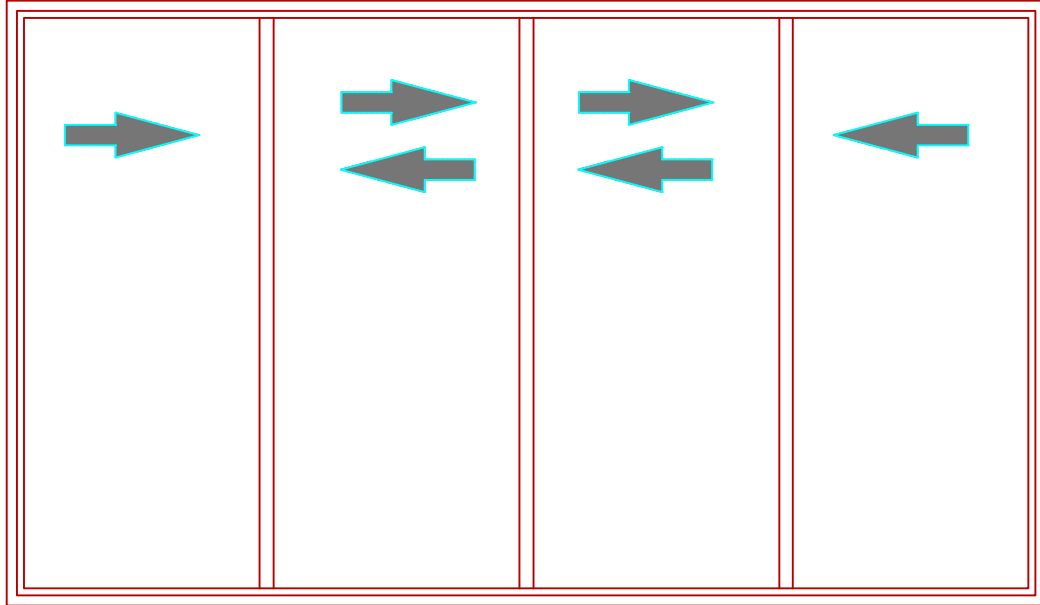


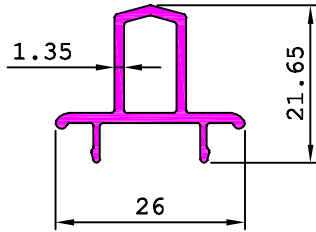
DELUXE WINDOW



SHUTTER SECTION DELUXE WINDOW

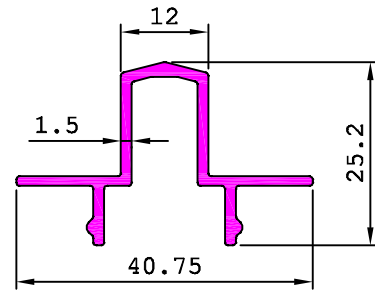
21419

0.253 kg/m



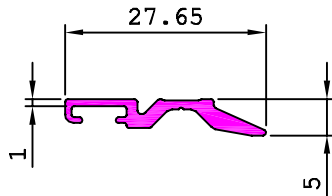
21456

0.342 kg/m



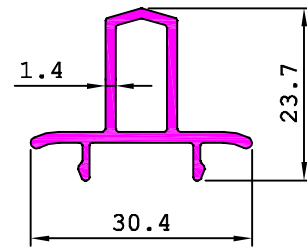
21714

0.146 kg/m



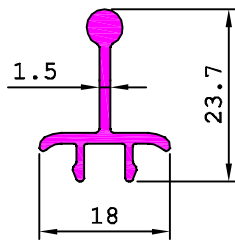
S6408

0.303 kg/m



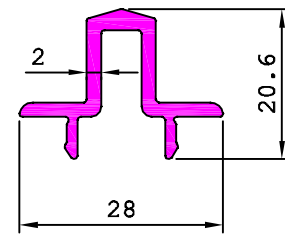
S6414

0.209 kg/m



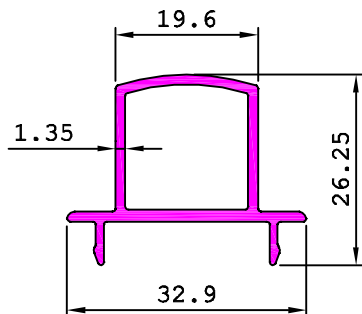
41524

0.326 kg/m



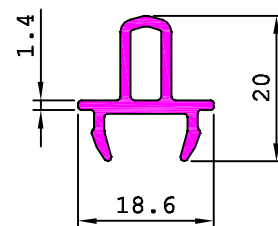
41544

0.359 kg/m



41535

0.239 kg/m

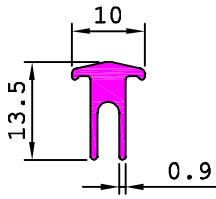


MATCHING WITH 21932

DELUXE WINDOW

S5535

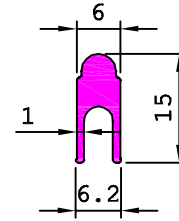
0.130 kg/m



MATCHING WITH S5533,S5534

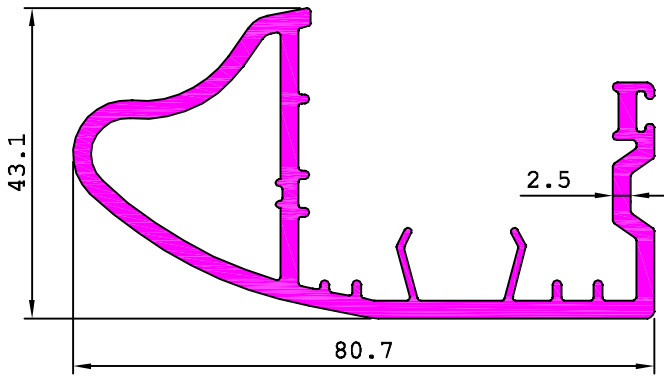
G102349

0.146 kg/m



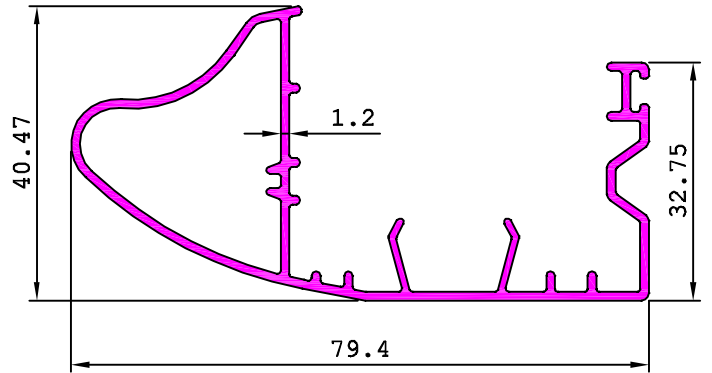
19631

1.450 kg/m



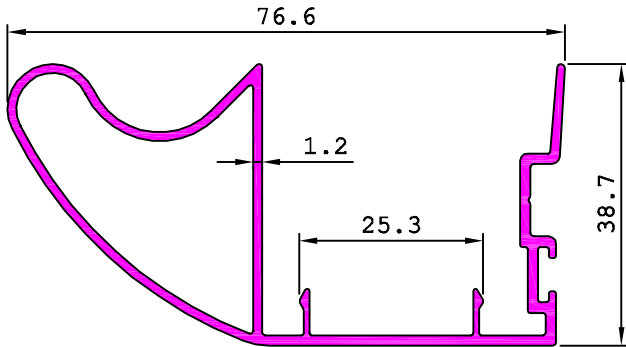
19639

0.785 kg/m



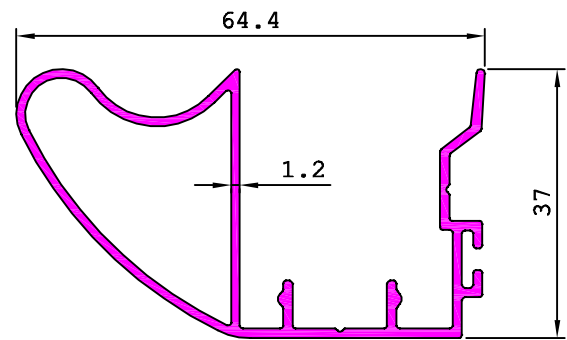
19466

0.781 kg/m



19467

0.710 kg/m

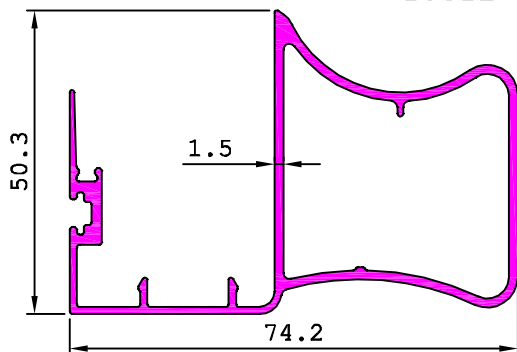


MATCHING WITH 21614

MATCHING WITH 21615

41533

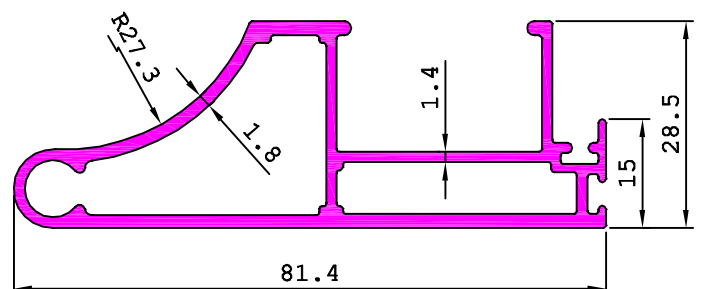
1.012 kg/m



MATCHING WITH 21358

G100706

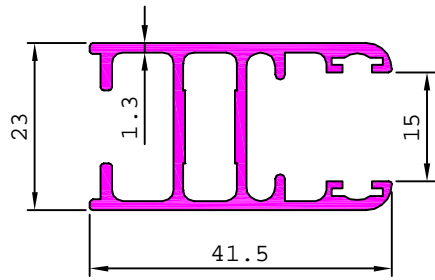
1.088 kg/m



SHUTTER SECTION DELUXE WINDOW

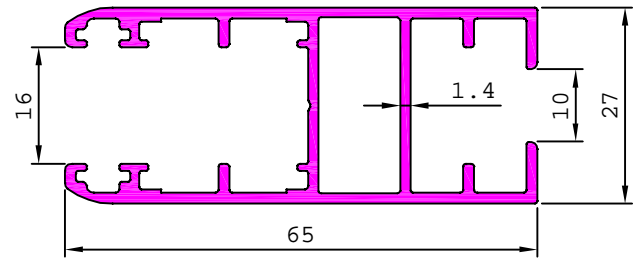
21048

0.591 kg/m



21375

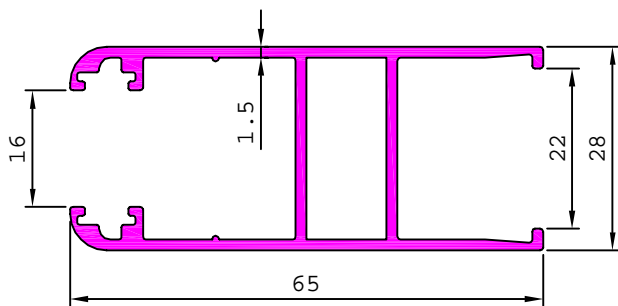
0.926 kg/m



MATCHING WITH 19435

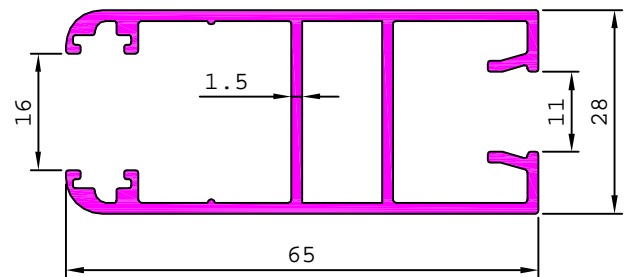
21067

0.813 kg/m



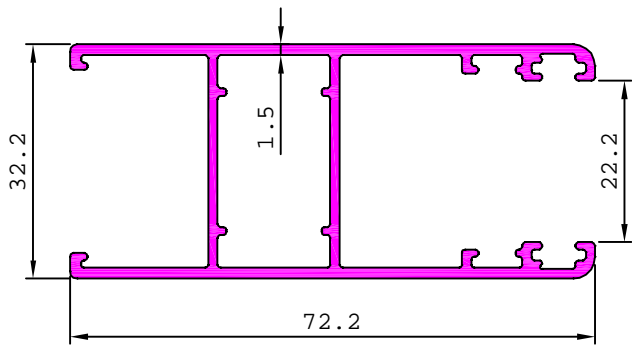
21068

0.912 kg/m



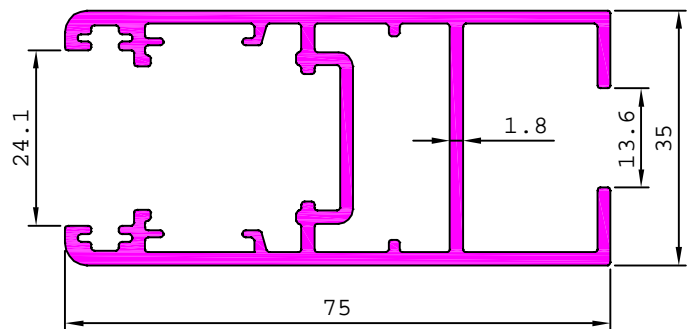
21350

0.914 kg/m



21384

1.385 kg/m

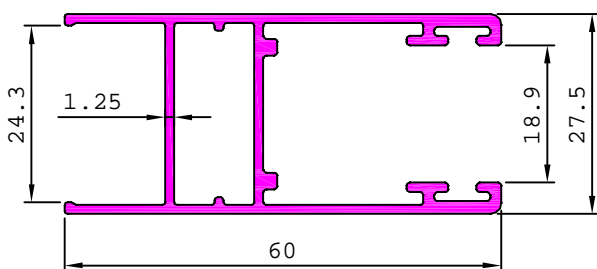


MATCHING WITH 19479

MATCHING WITH 19444

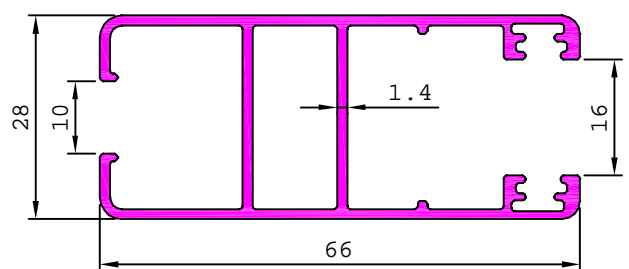
21372

0.719 kg/m



21358

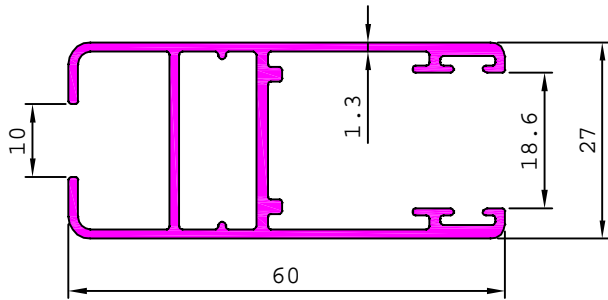
0.848 kg/m



SHUTTER SECTION DELUXE WINDOW

21241

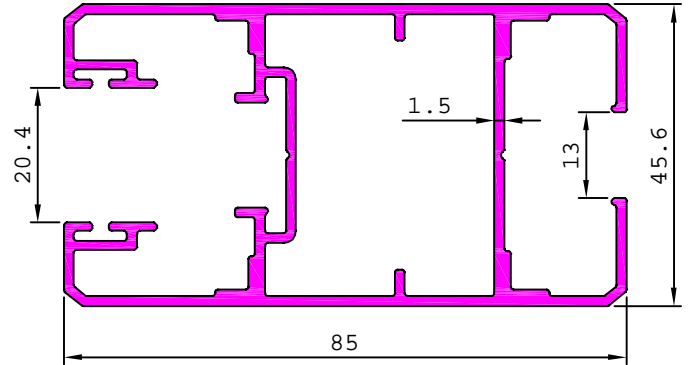
0.778 kg/m



MATCHING WITH 19414

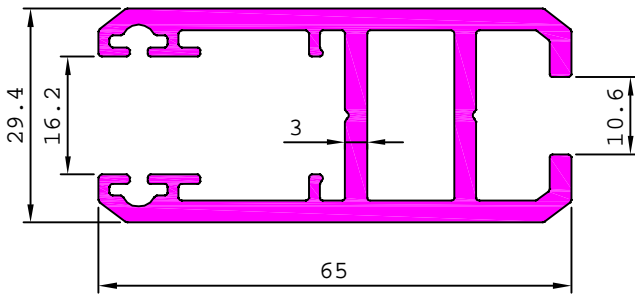
21457

1.625 kg/m



21469

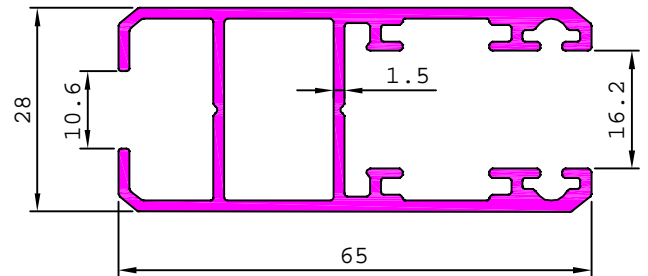
1.634 kg/m



MATCHING WITH S6584

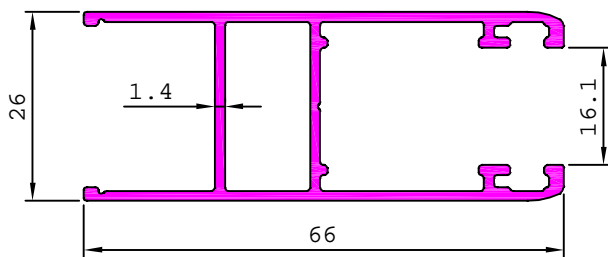
21481

1.020 kg/m



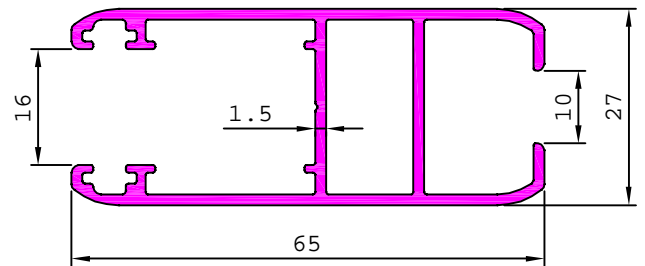
21486

0.774 kg/m



21490

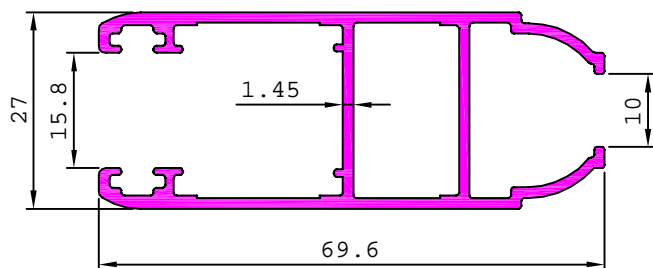
0.851 kg/m



MATCHING WITH 19453

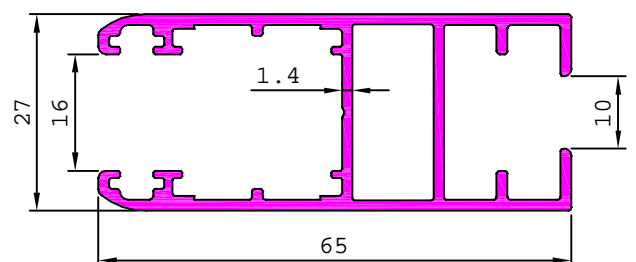
21633

0.888 kg/m



21554

0.905 kg/m

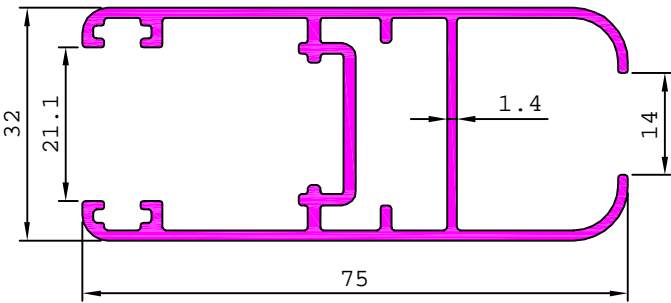


MATCHING WITH 19435

SHUTTER SECTION DELUXE WINDOW

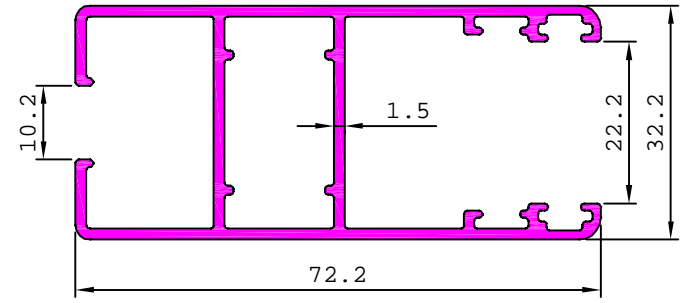
21557

1.020 kg/m



21751

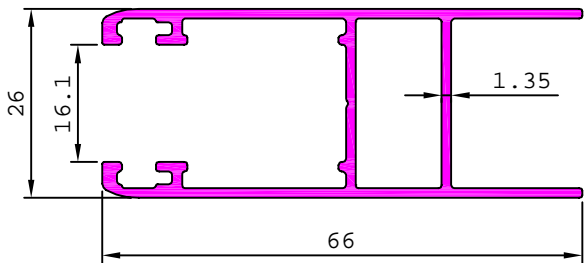
1.005 kg/m



MATCHING WITH 19481

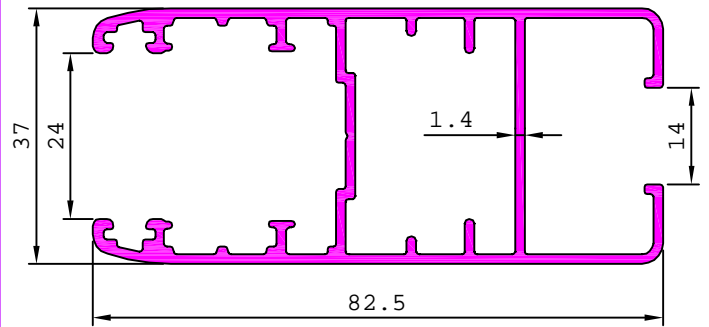
21596

0.747 kg/m



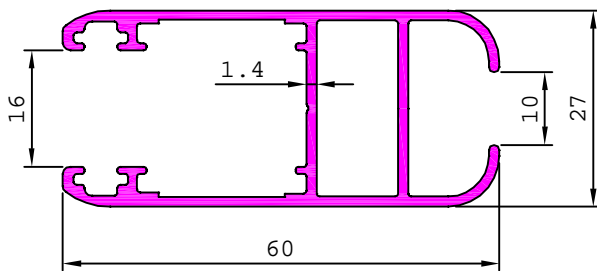
21597

1.221 kg/m



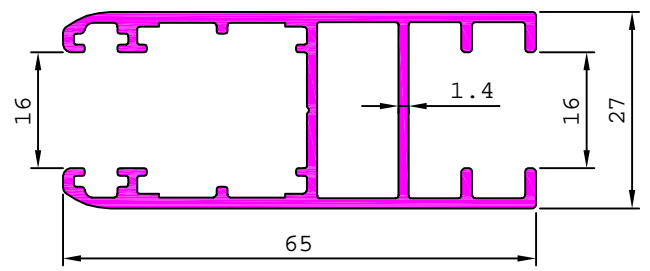
21615

0.767 kg/m



21618

0.874 kg/m

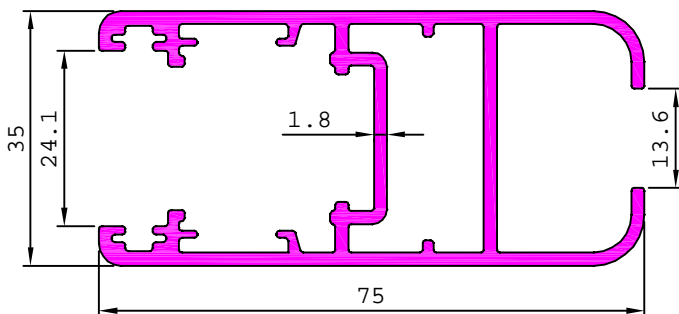


MATCHING WITH 19467

MATCHING WITH 19435

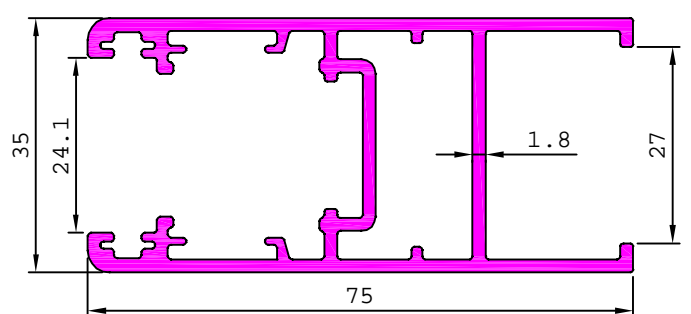
21614

1.359 kg/m



21619

1.319 kg/m



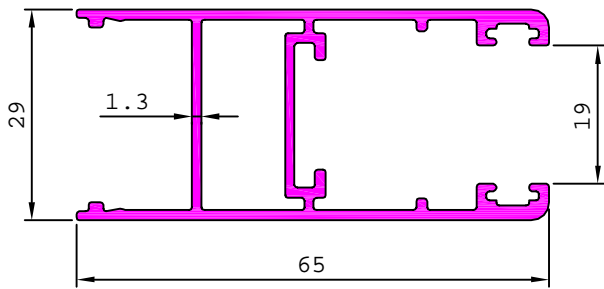
MATCHING WITH 19466

MATCHING WITH 19444

SHUTTER SECTION DELUXE WINDOW

21643

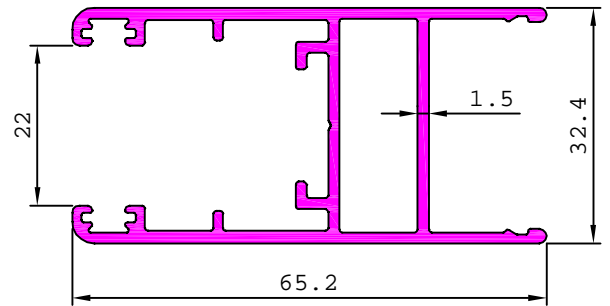
0.845 kg/m



MATCHING WITH 41536

21795

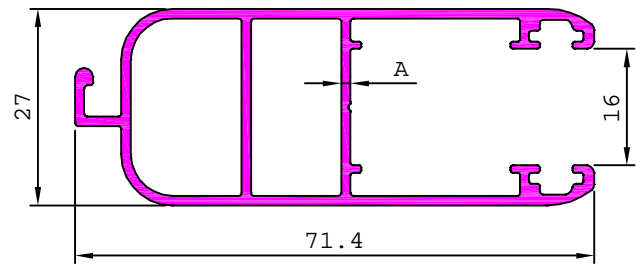
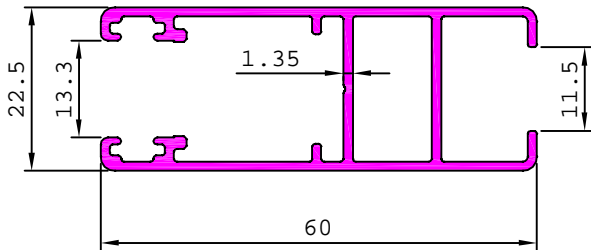
0.944 kg/m



MATCHING WITH 19496

21732

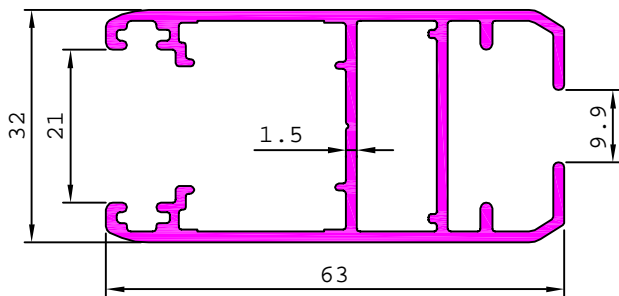
0.679 kg/m



| SL. No. | Section No. | A | Weight kg/m |
|---------|--------------|------|-------------|
| 1 | 21804 | 1.30 | 0.845 |
| 2 | S6636 | 3.50 | 1.789 |

21747

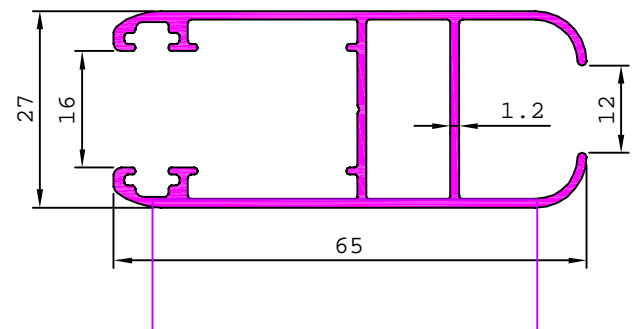
0.979 kg/m



MATCHING WITH 41503, 21807 & 21808

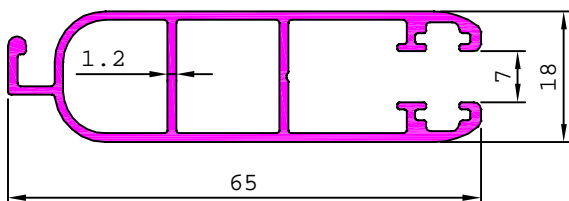
21874

0.706 kg/m



21873

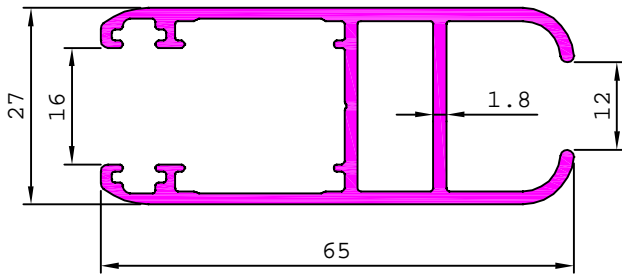
0.660 kg/m



SHUTTER SECTION DELUXE WINDOW

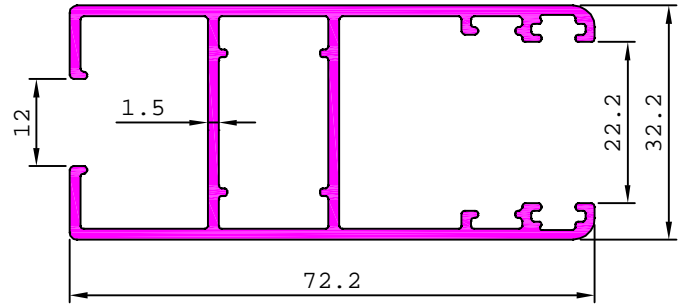
21875

0.930 kg/m



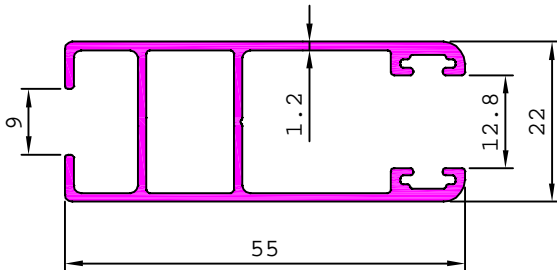
21533

0.999 kg/m



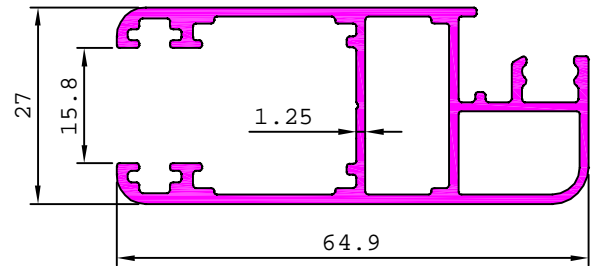
21559

0.609 kg/m



S5176

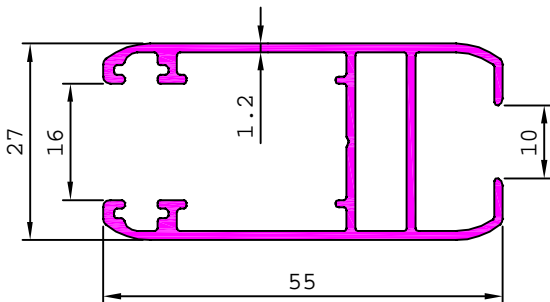
0.875 kg/m



MATCHING WITH S5177

21822

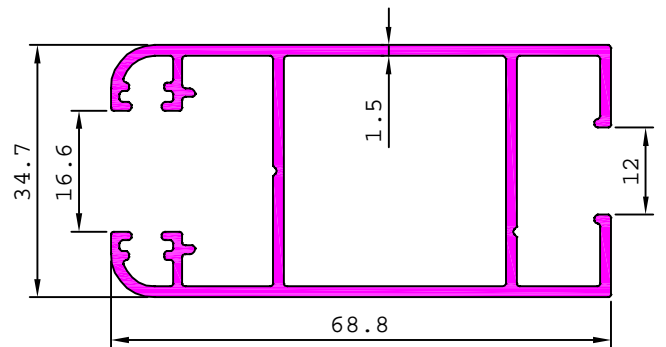
0.654 kg/m



MATCHING WITH S5479

S5536

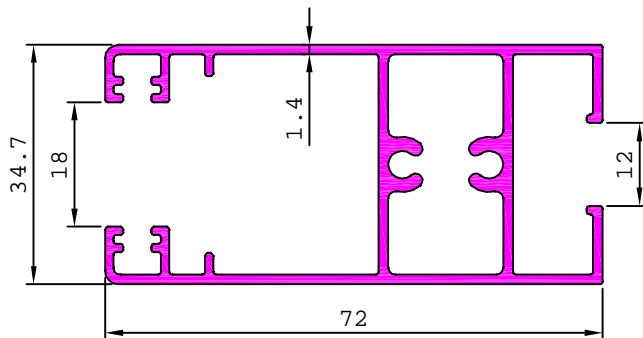
1.031 kg/m



MATCHING WITH S5533,S5534

S5537

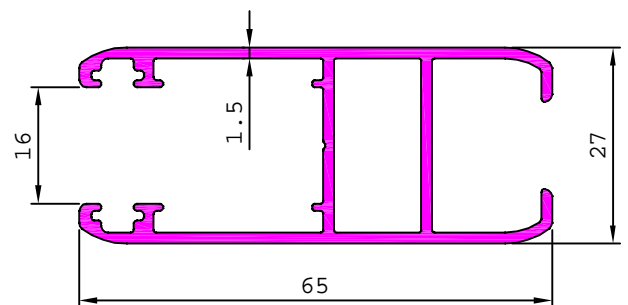
1.129 kg/m



MATCHING WITH S5533,S5534

S6324

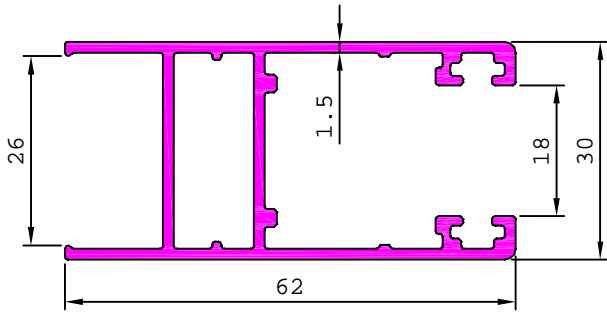
0.848 kg/m



SHUTTER SECTION DELUXE WINDOW

S6171

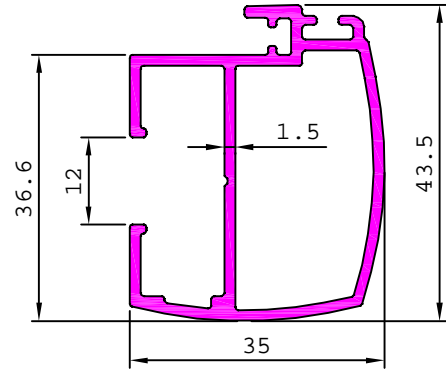
0.875 kg/m



MATCHING WITH S6172,S6173

21909

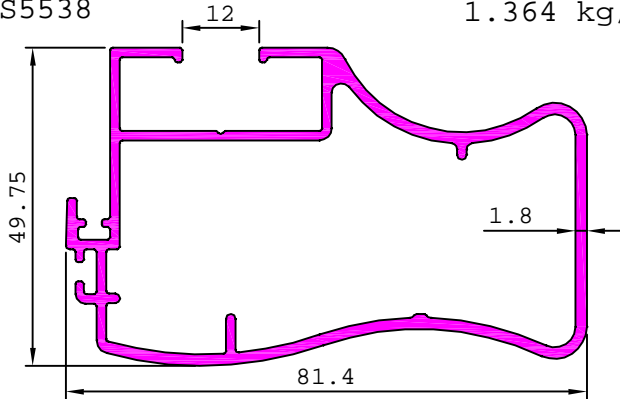
0.727 kg/m



MATCHING WITH S5533,S5534

S5538

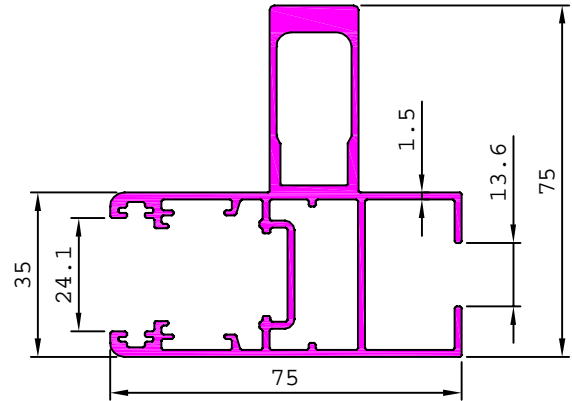
1.364 kg/m



MATCHING WITH S5533,S5534

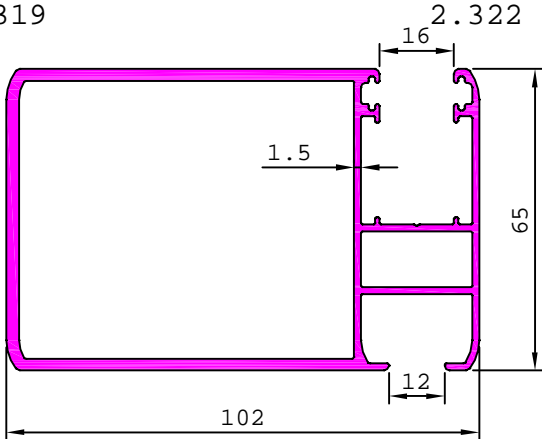
21679

1.906 kg/m



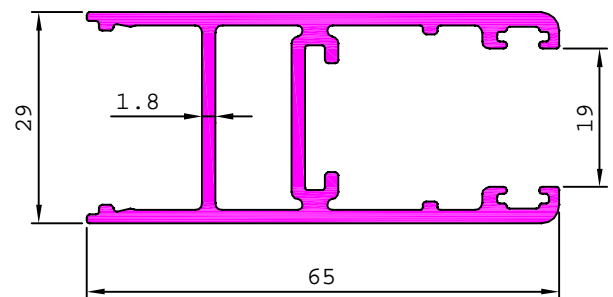
S6319

2.322 kg/m



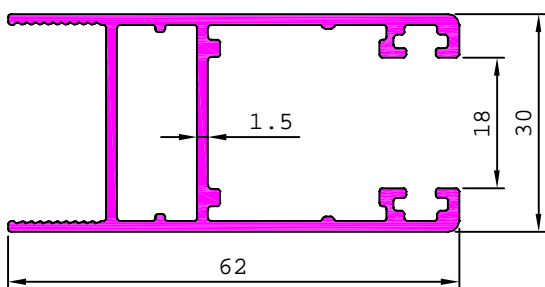
S6466

1.048 kg/m



21924

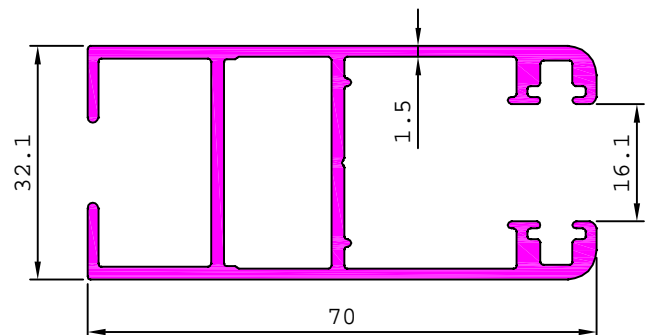
0.864 kg/m



MATCHING WITH S6172

S6653

1.144 kg/m



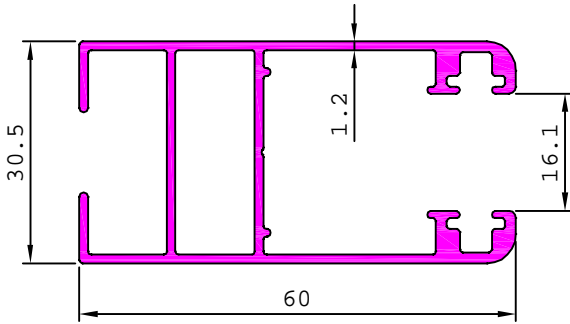
MATCHING WITH S6657

SHUTTER SECTION

DELUXE WINDOW

S6654

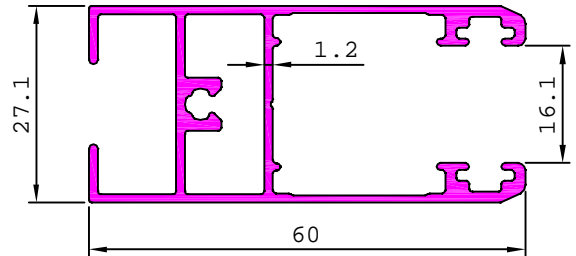
0.809 kg/m



MATCHING WITH S6657

S6655

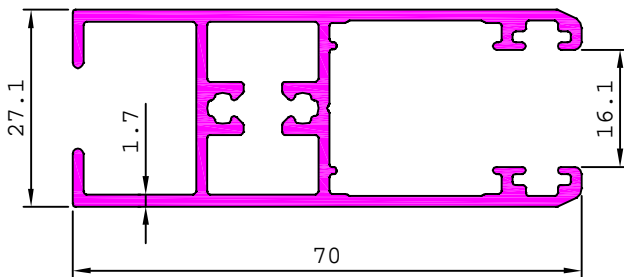
0.757 kg/m



MATCHING WITH S6657

S6656

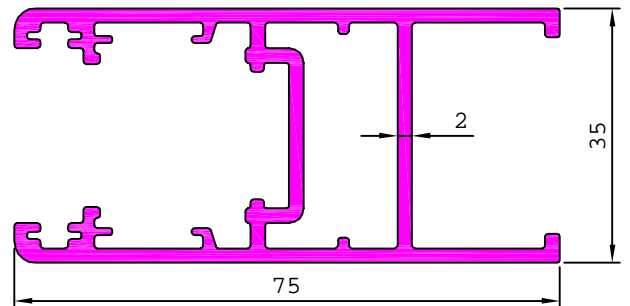
1.074 kg/m



MATCHING WITH S6657

21977

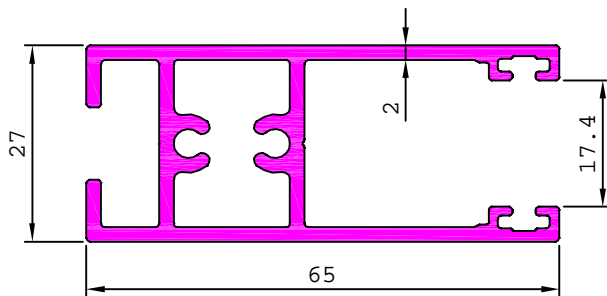
1.422 kg/m



MATCHING SECTION 41547

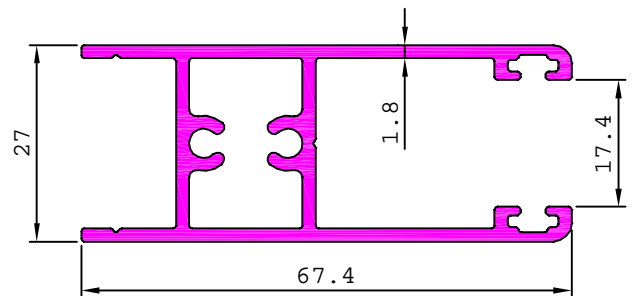
21966

1.190 kg/m



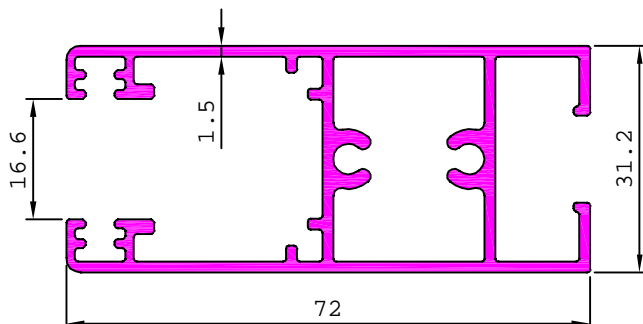
21967

1.050 kg/m



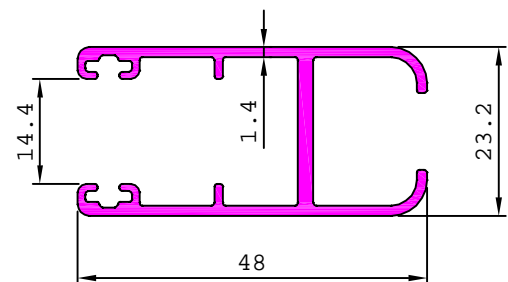
21912

1.176 kg/m



21932

0.574 kg/m

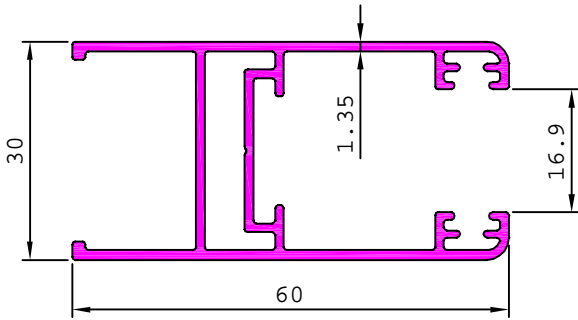


MATCHING SECTION 41534, 41535

SHUTTER SECTION DELUXE WINDOW

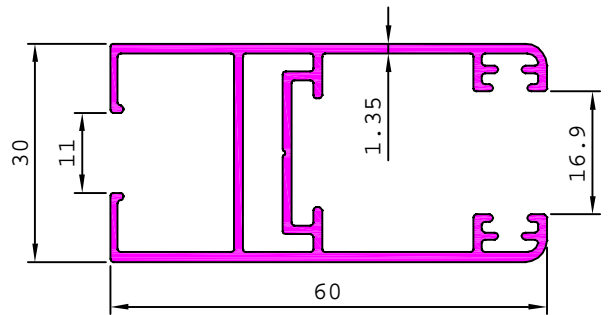
46007

0.768 kg/m



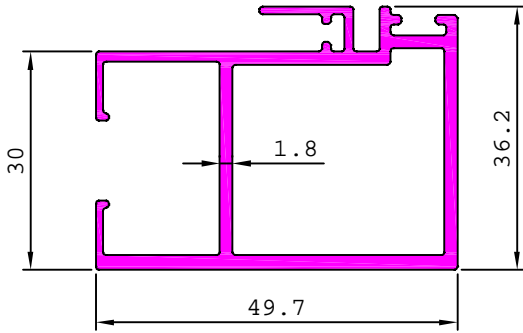
46008

0.805 kg/m



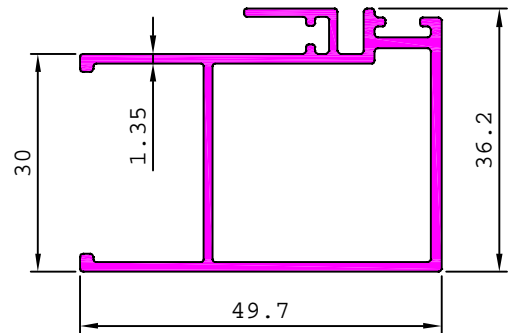
46006

0.911 kg/m



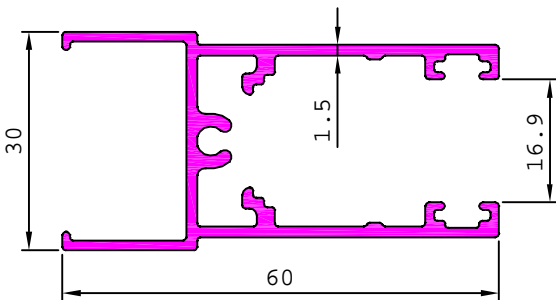
46005

0.695 kg/m



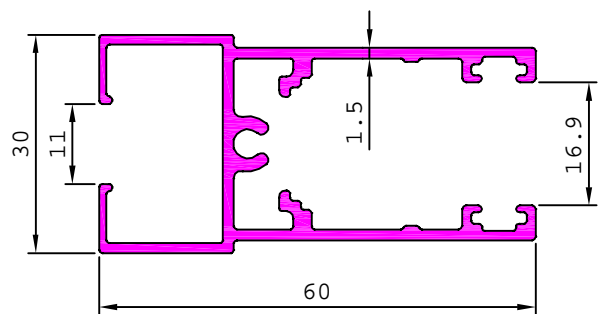
46009

0.779 kg/m



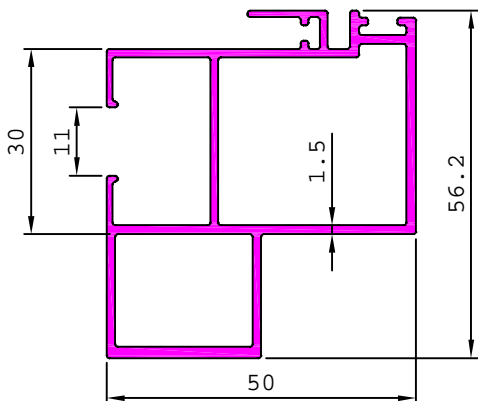
46010

0.822 kg/m



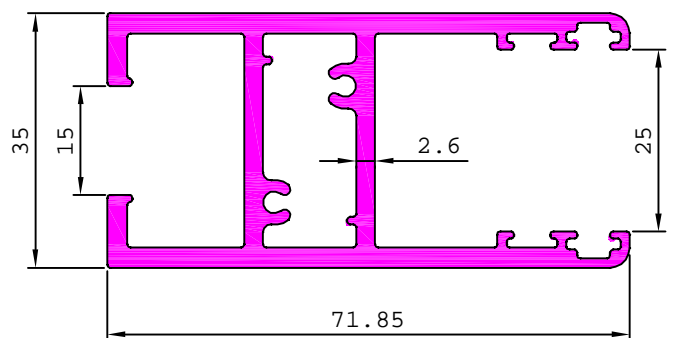
46011

1.013 kg/m



G100330

1.711 kg/m



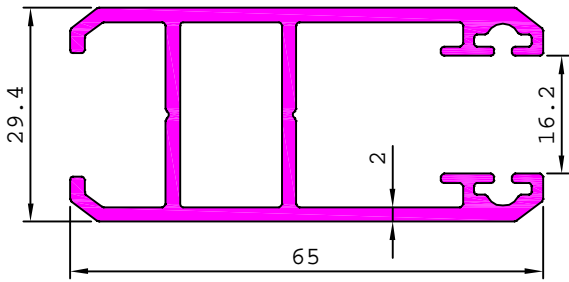
MATCHING SECTION G100331

SHUTTER SECTION

DELUXE WINDOW

G100759

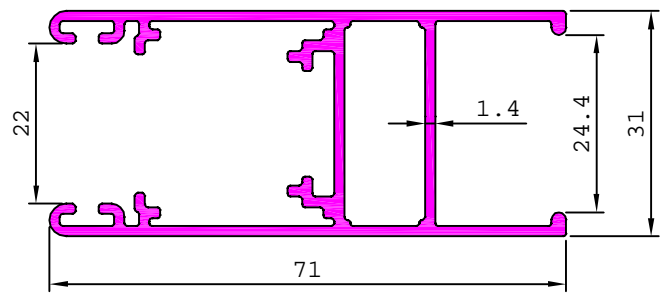
1.154 kg/m



MATCHING SECTION S6584

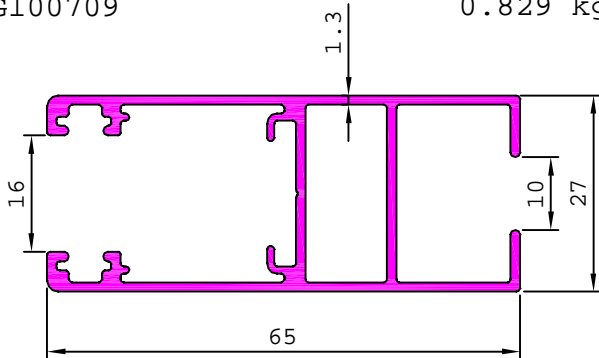
G100708

0.974 kg/m



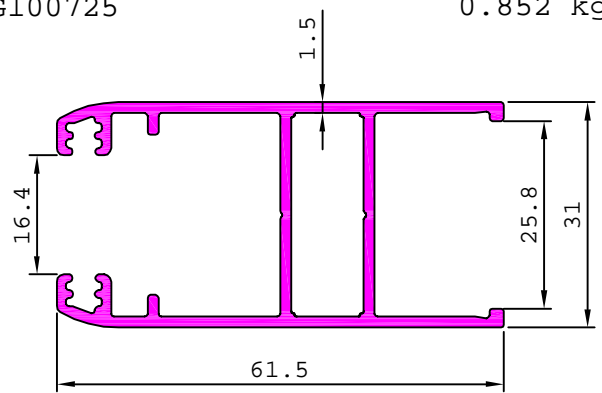
G100709

0.829 kg/m



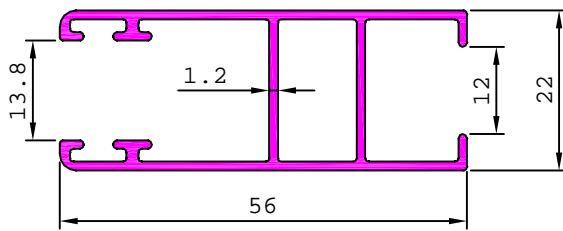
G100725

0.852 kg/m



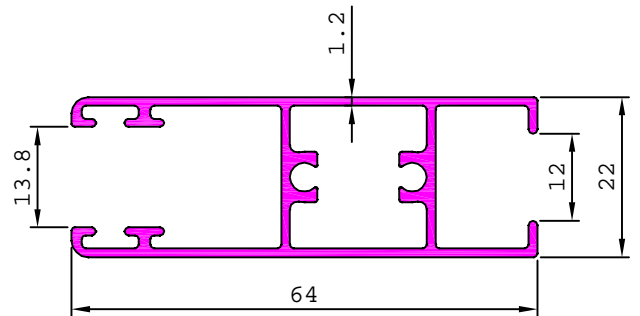
G101056

0.590 kg/m



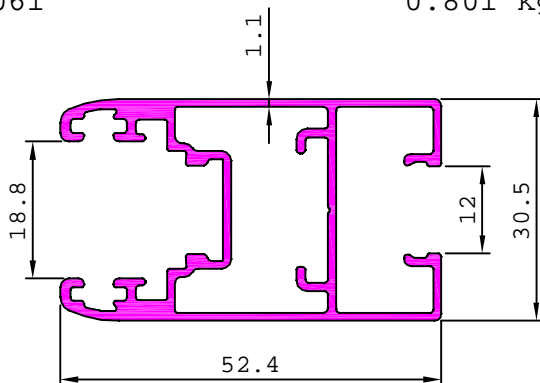
G101058

0.718 kg/m



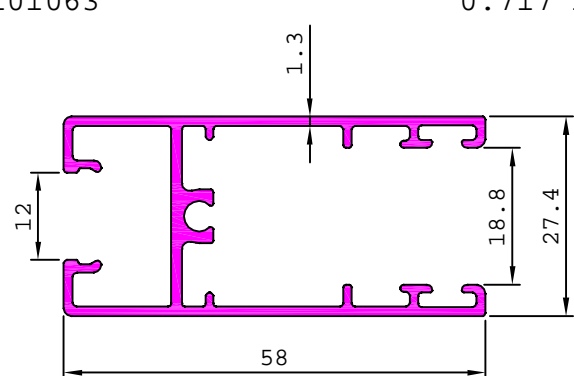
G101061

0.801 kg/m



G101063

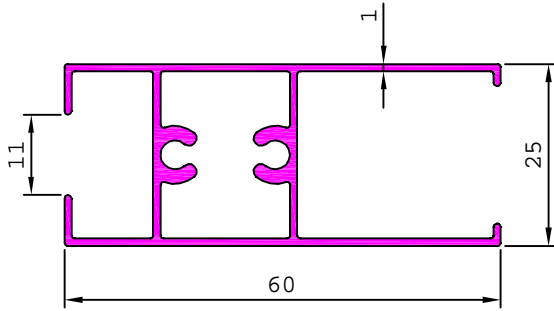
0.717 kg/m



SHUTTER SECTION DELUXE WINDOW

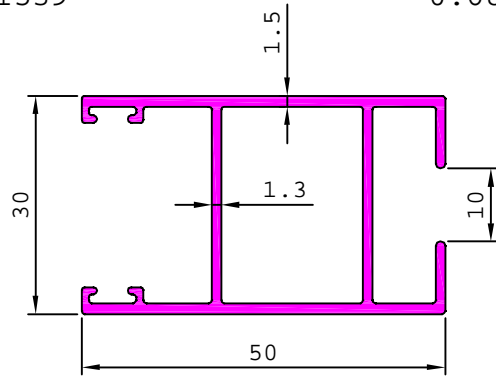
G101399

0.605 kg/m



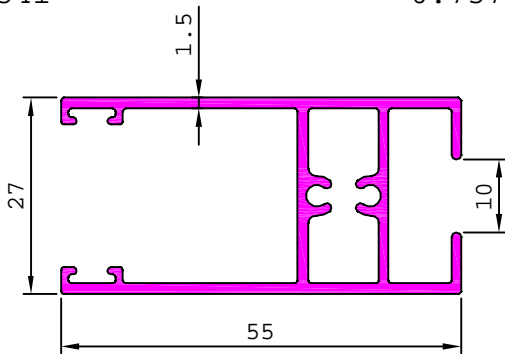
G101539

0.689 kg/m



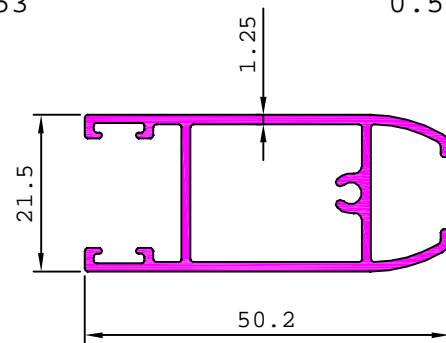
G101541

0.757 kg/m



G102753

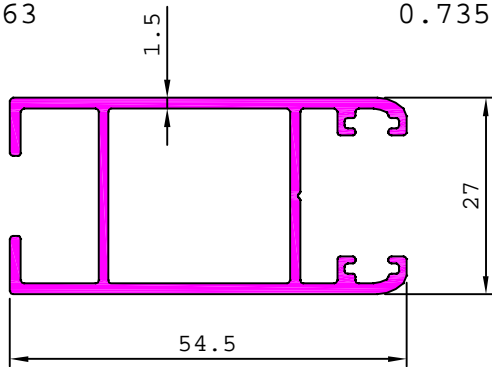
0.539 kg/m



MATCHING WITH G102752,G102754,G102755

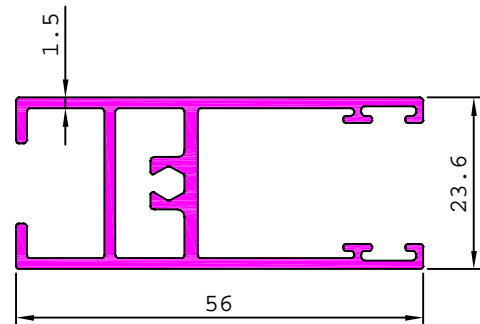
G100063

0.735 kg/m



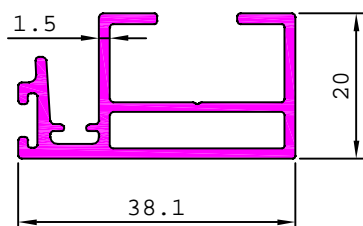
G100064

0.757 kg/m



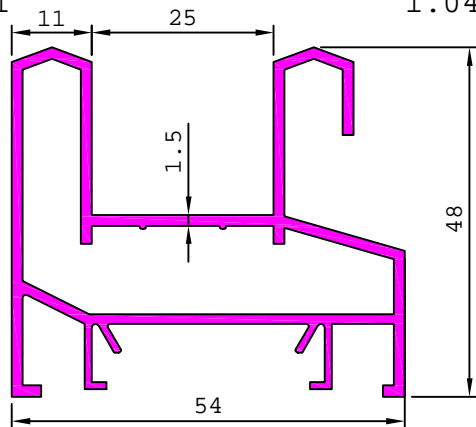
G100065

0.537 kg/m

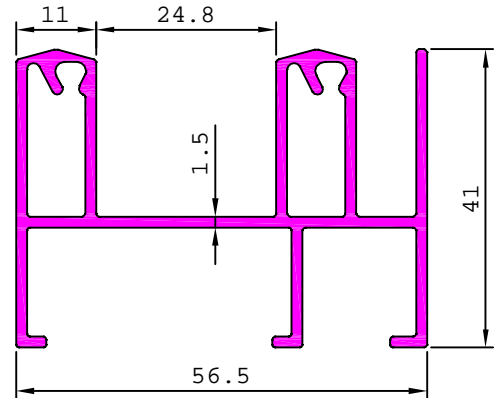


FRAME SECTION DELUXE WINDOW

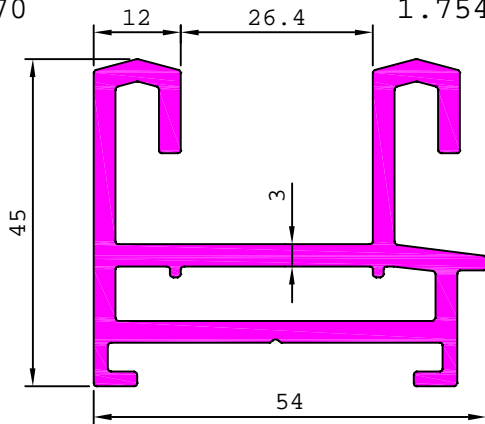
21081 1.047 kg/m



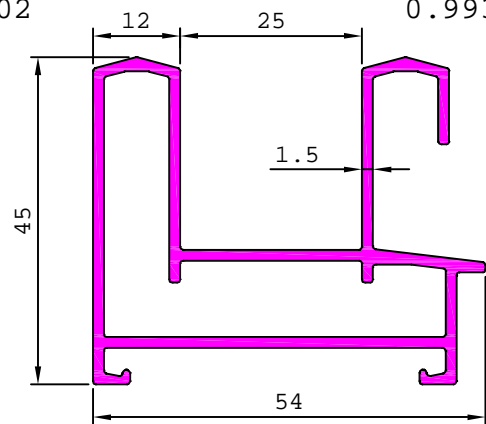
21162 1.020 kg/m



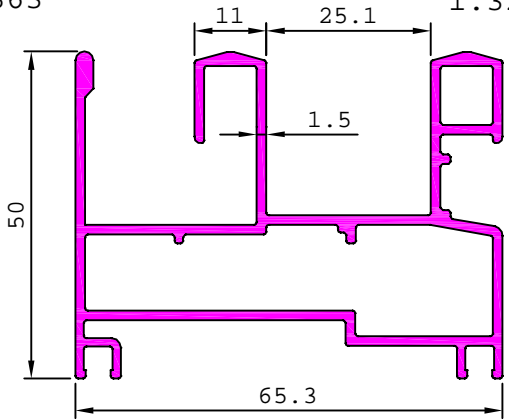
21470 1.754 kg/m



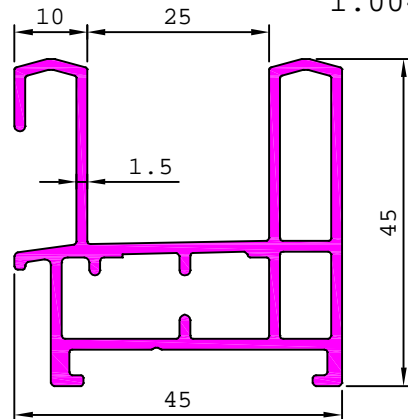
21402 0.993 kg/m



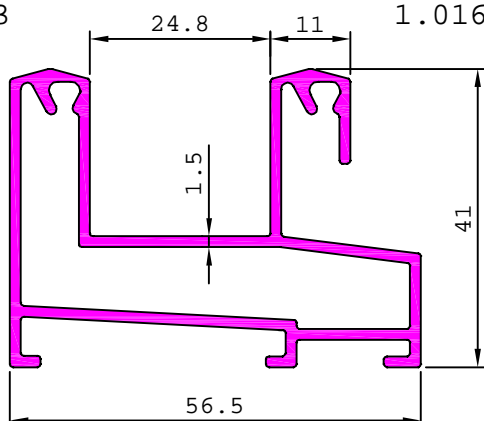
21363 1.328 kg/m



21374 1.004 kg/m



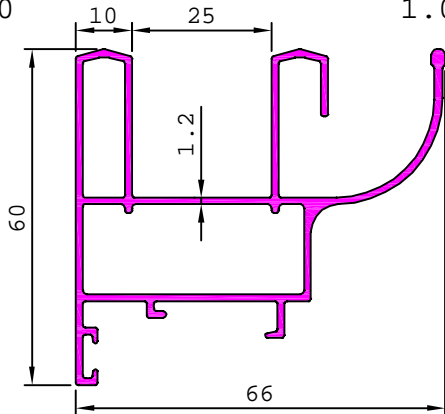
21163 1.016 kg/m



FRAME SECTION

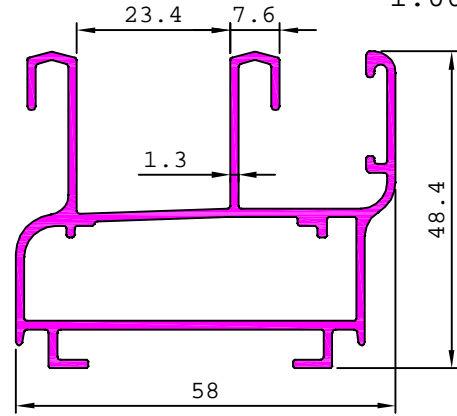
DELUXE WINDOW

21920 1.016 kg/m

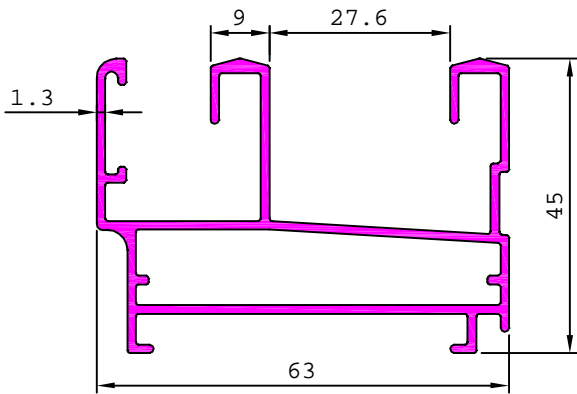


MATCHING WITH 19392

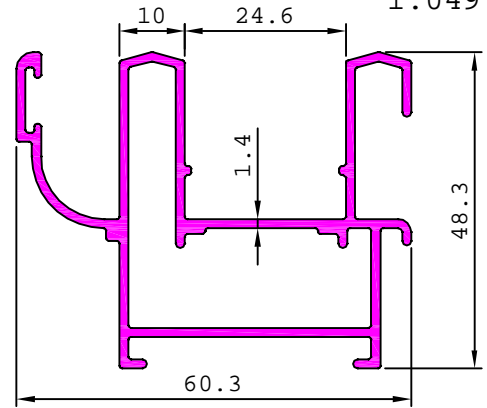
21733 1.002 kg/m



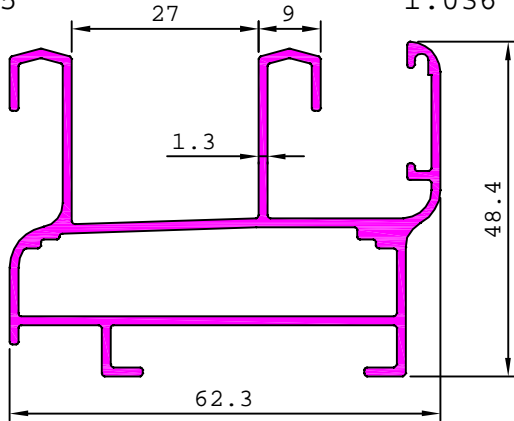
21373 1.015 kg/m



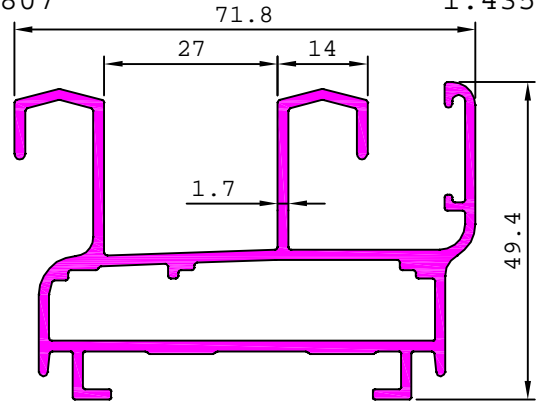
21632 1.049 kg/m



21755 1.036 kg/m

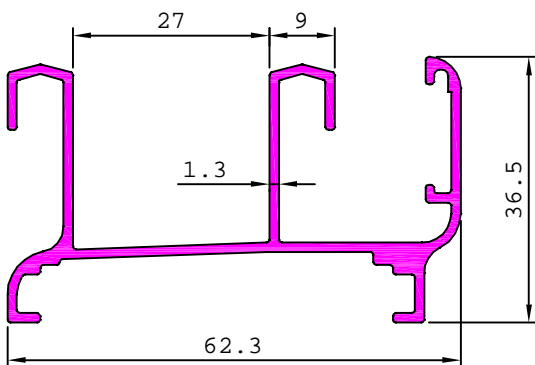


21807 1.435 kg/m

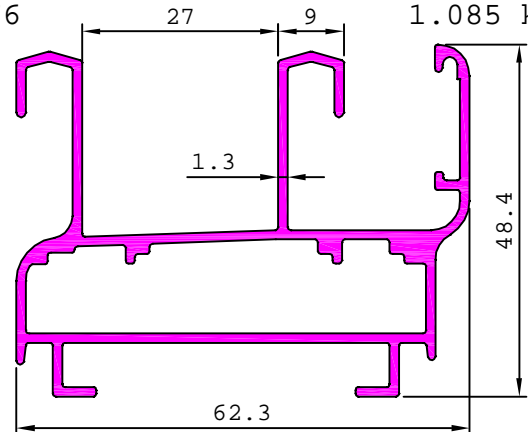


MATCHING WITH 41503

21758 0.739 kg/m



21876 1.085 kg/m

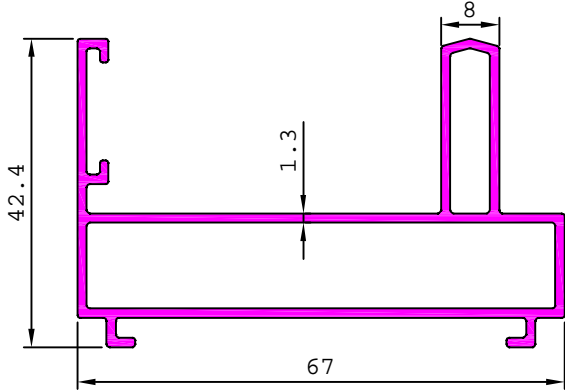


FRAME SECTION

DELUXE WINDOW

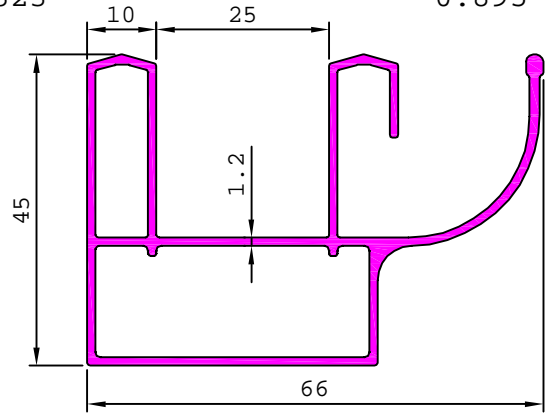
21948

0.901 kg/m



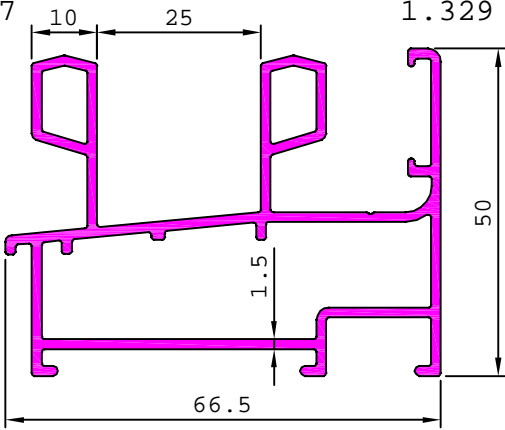
21823

0.895 kg/m



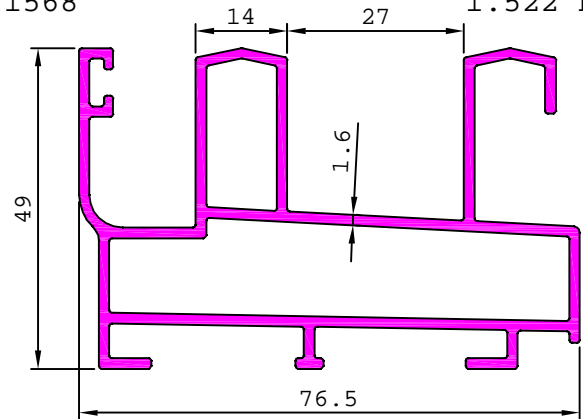
21487

1.329 kg/m



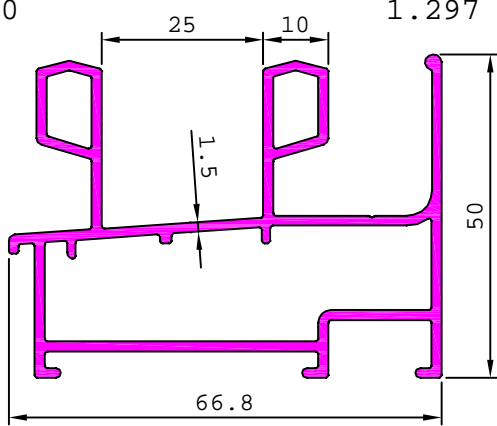
21568

1.522 kg/m



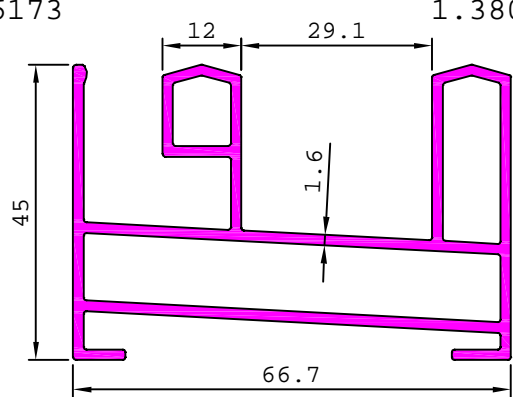
21870

1.297 kg/m



S6173

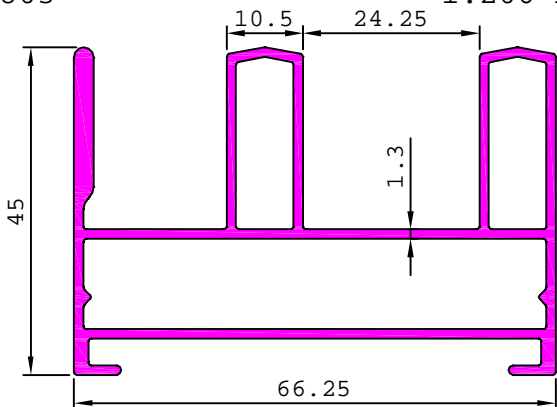
1.380 kg/m



MATCHING WITH S6172, S6171

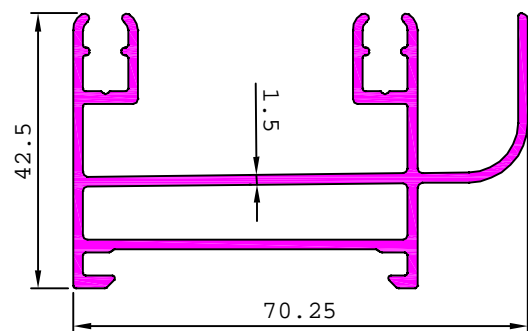
21803

1.206 kg/m



S5534

1.159 kg/m



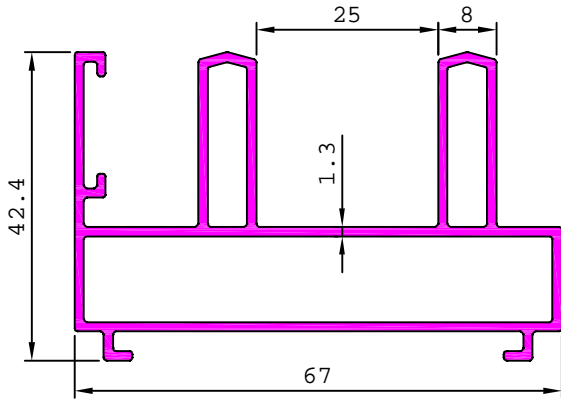
MATCHING WITH S5535

FRAME SECTION

DELUXE WINDOW

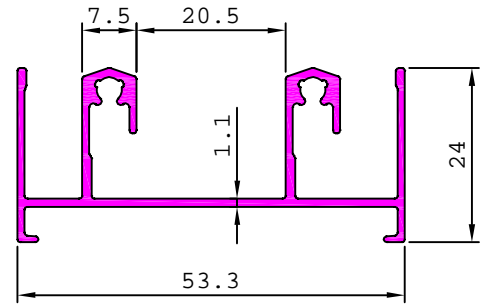
21946

1.083 kg/m



21902

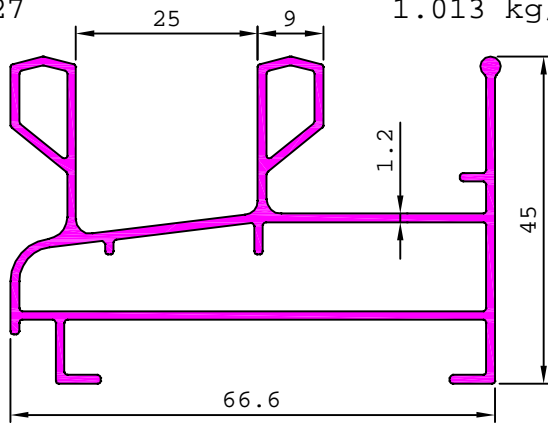
0.514 kg/m



MATCHING WITH 21898,21899,21900

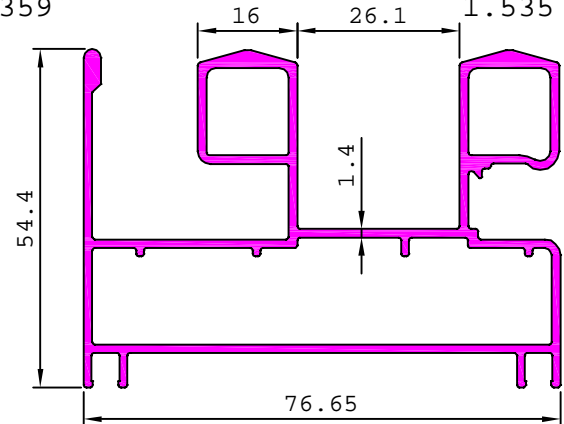
21827

1.013 kg/m



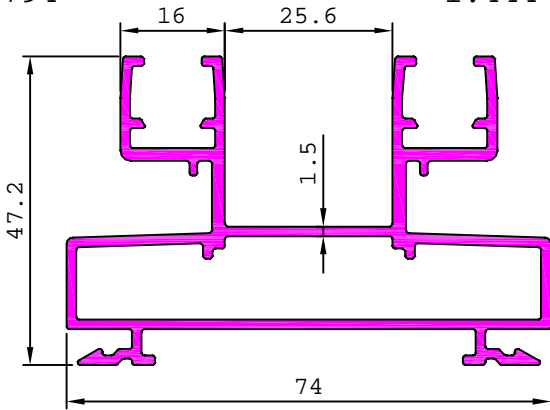
21359

1.535 kg/m



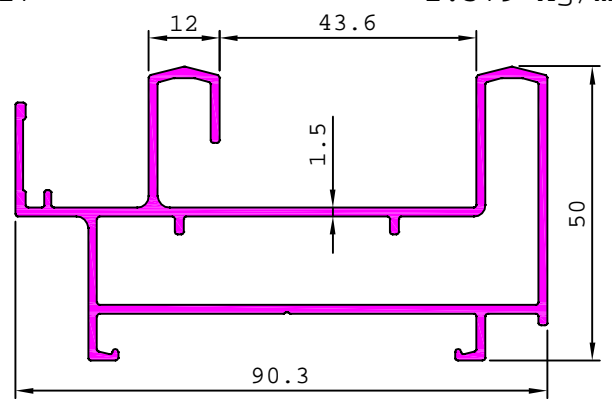
21794

1.444 kg/m



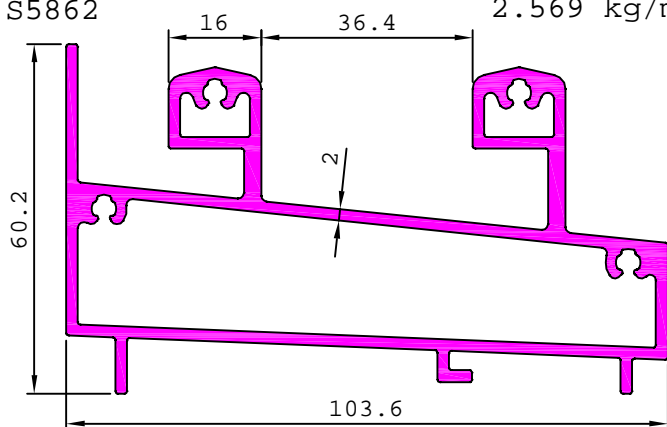
21427

1.379 kg/m



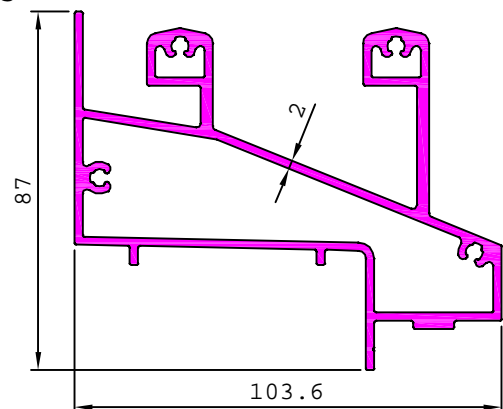
S5862

2.569 kg/m



S5863

2.902 kg/m

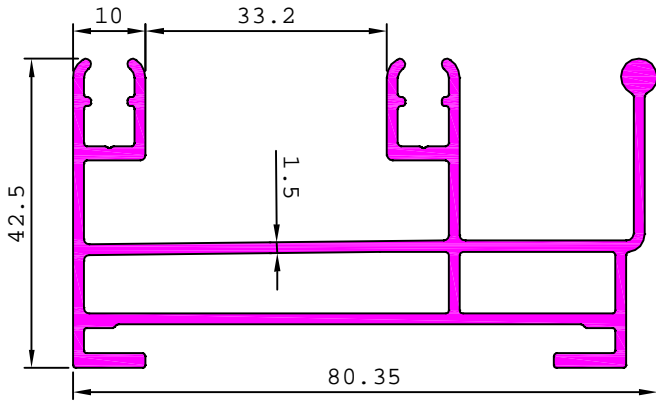


FRAME SECTION

DELUXE WINDOW

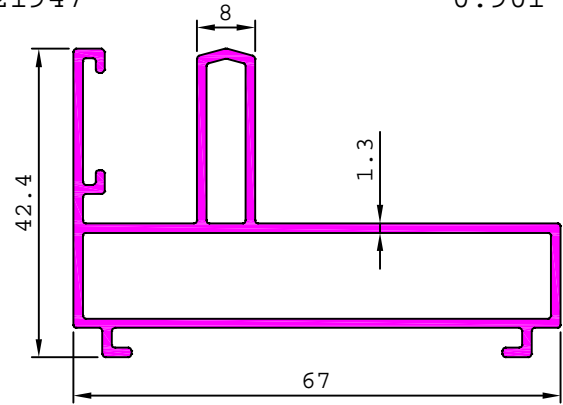
21910

1.429 kg/m



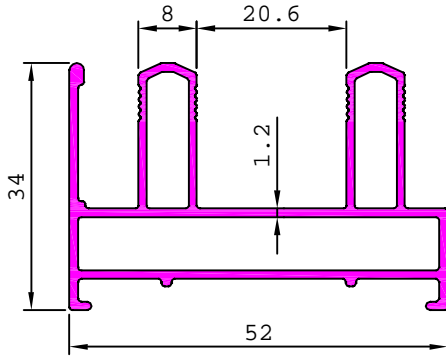
21947

0.901 kg/m



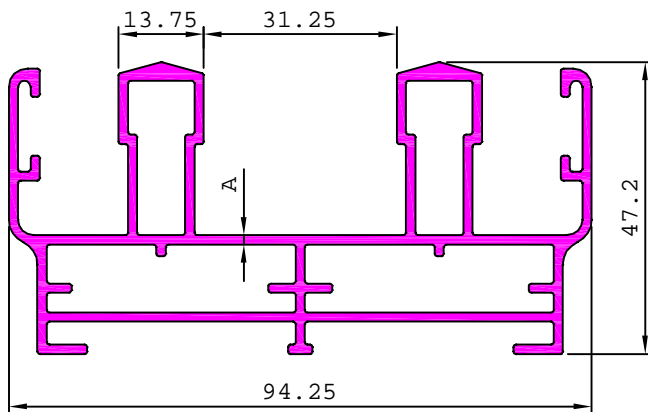
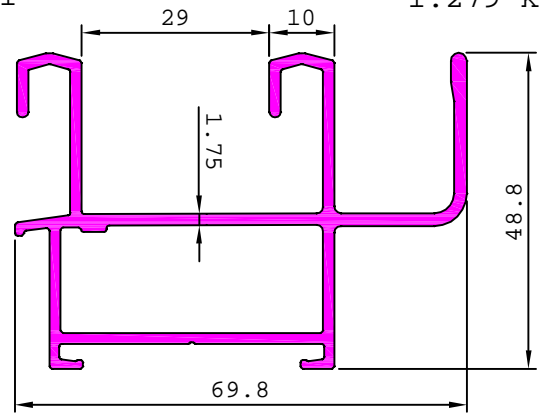
S6359

0.761 kg/m



S6621

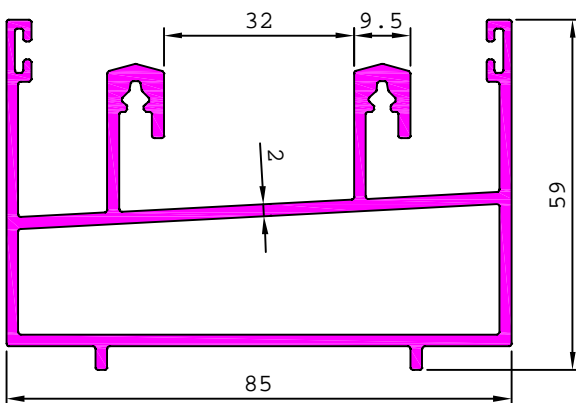
1.279 kg/m



| Sl. No. | Section No. | A | Weight kg/m |
|---------|----------------|------|-------------|
| 1 | 21385 | 1.50 | 1.972 |
| 2 | 21883 | 1.20 | 1.617 |
| 3 | G100338 | 2.00 | 2.412 |

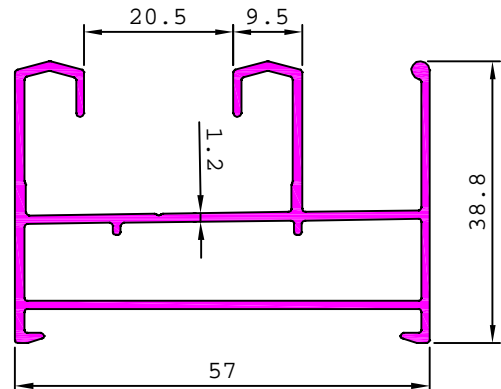
21914

2.075 kg/m



21943

0.785 kg/m

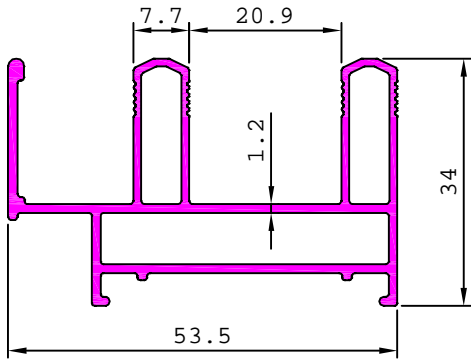


FRAME SECTION

DELUXE WINDOW

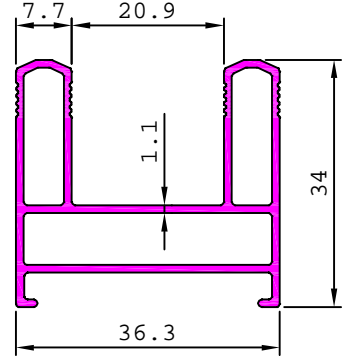
S6726

0.733 kg/m



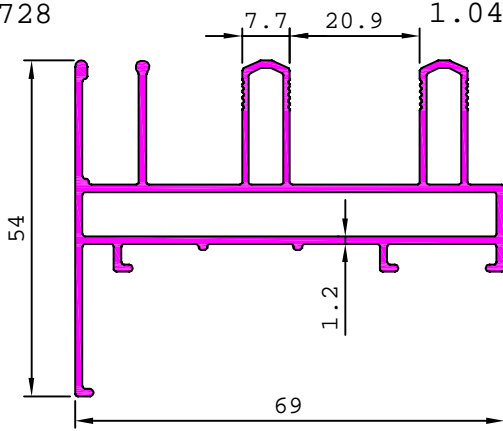
S6727

0.550 kg/m



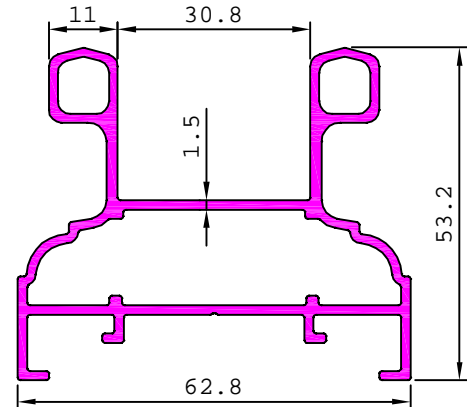
S6728

1.043 kg/m



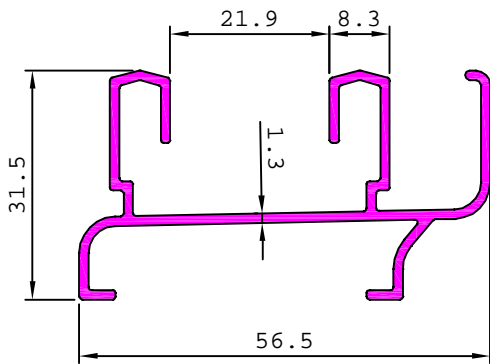
21783

1.209 kg/m



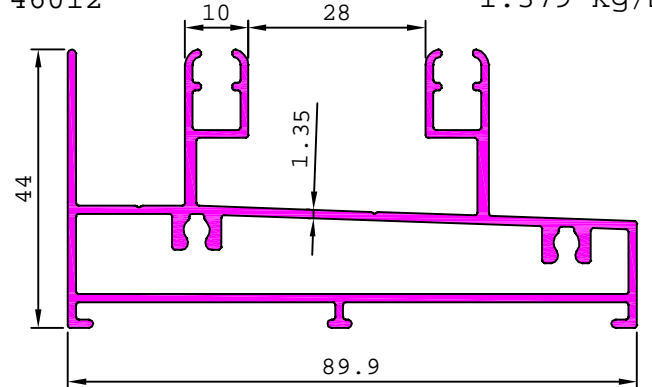
46003

0.613 kg/m



46012

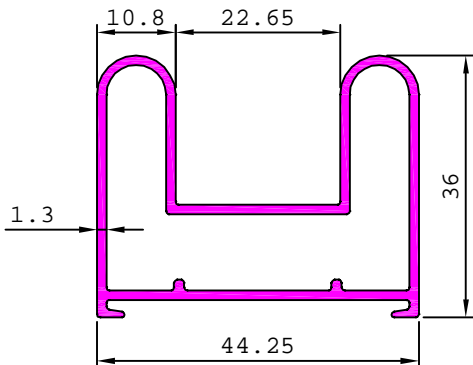
1.379 kg/m



MATCHING SECTION S5535

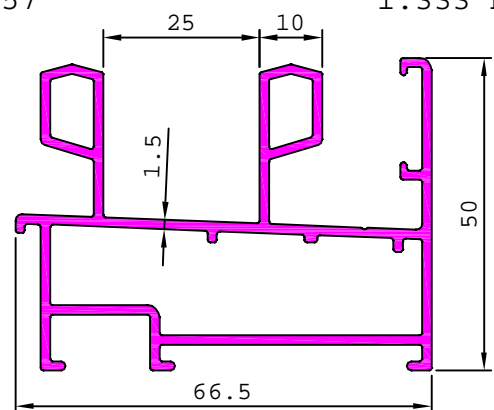
46038

0.684 kg/m



G100157

1.333 kg/m

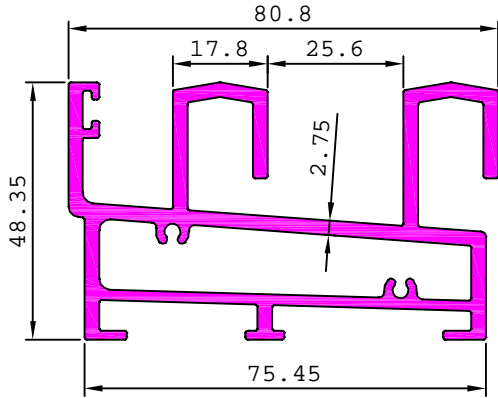


FRAME SECTION

DELUXE WINDOW

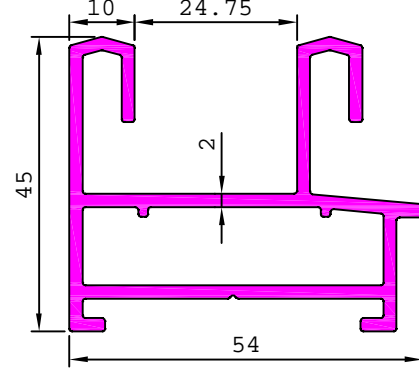
G100329

2.447 kg/m



G100756

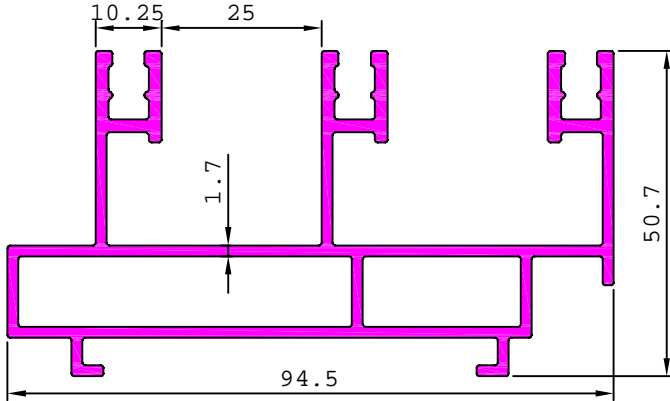
1.233 kg/m



MATCHING SECTION G100759

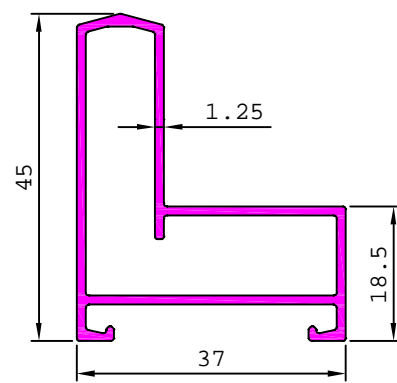
G100855

1.881 kg/m



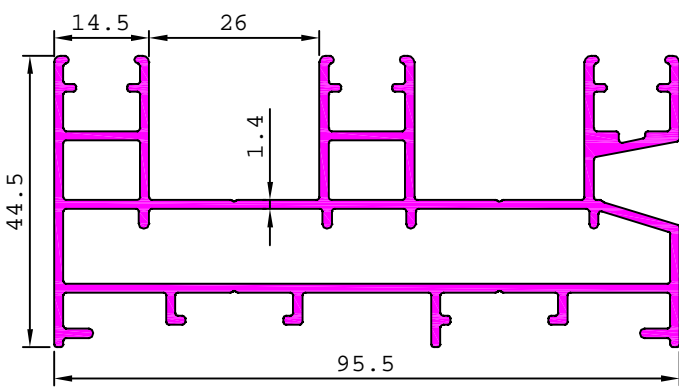
G100870

0.572 kg/m



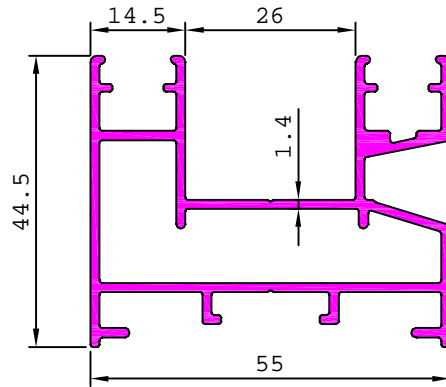
G100704

1.727 kg/m



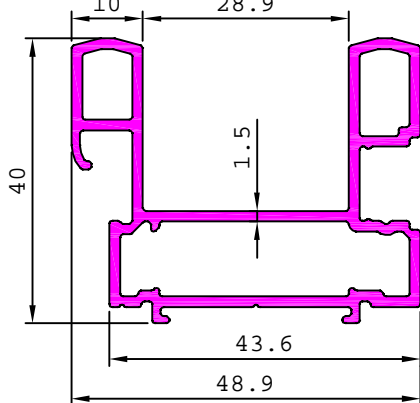
G100703

1.067 kg/m



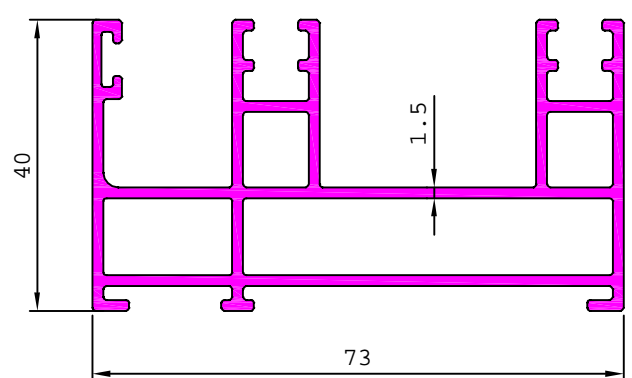
G100726

0.902 kg/m



G102353

1.419 kg/m

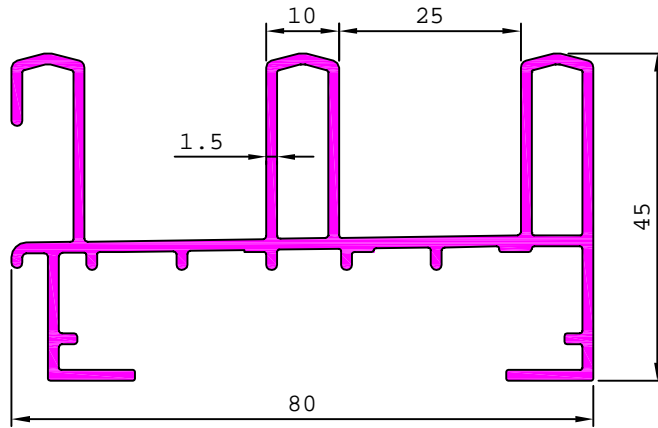


FRAME SECTION

DELUXE WINDOW

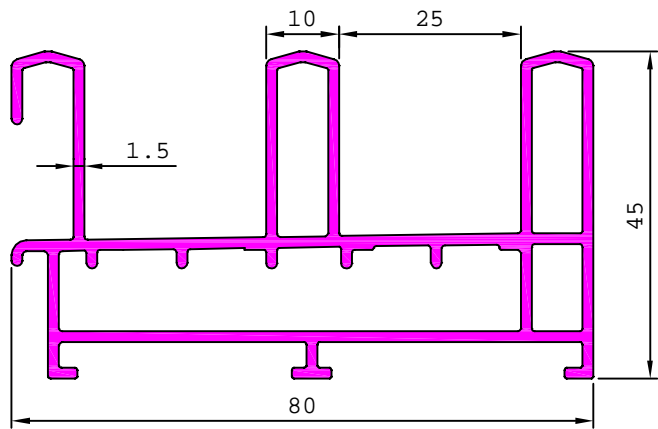
21553

1.266 kg/m



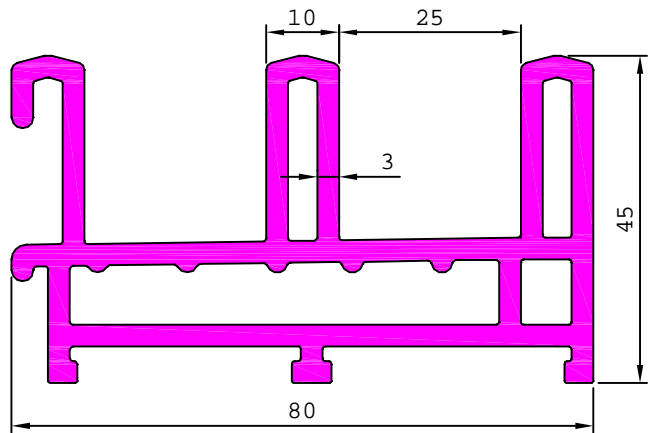
21376

1.555 kg/m



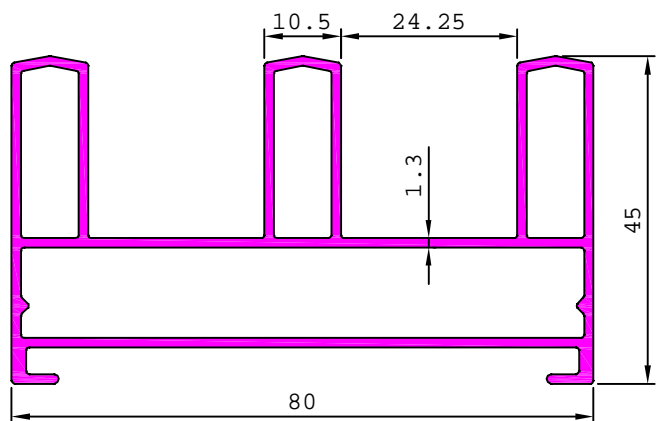
21792

2.843 kg/m



21555

1.337 kg/m

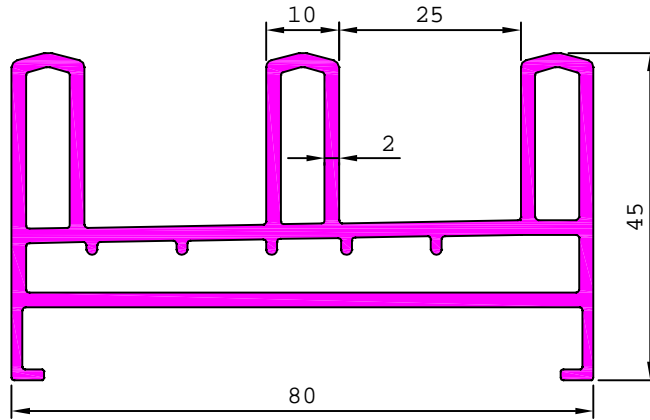


FRAME SECTION

DELUXE WINDOW

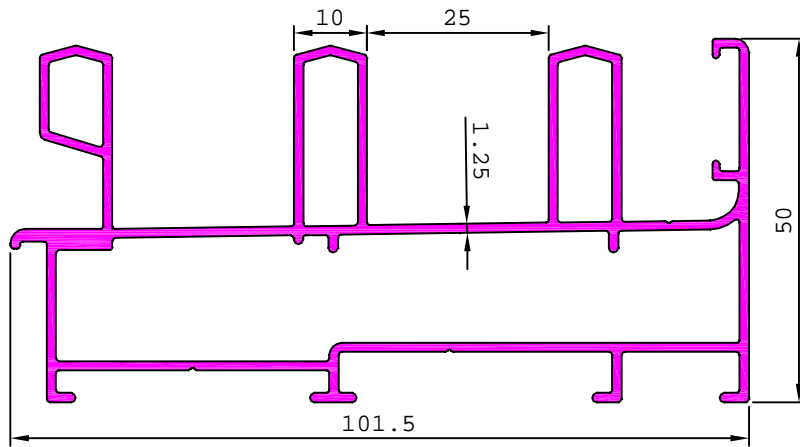
21647

1.924 kg/m



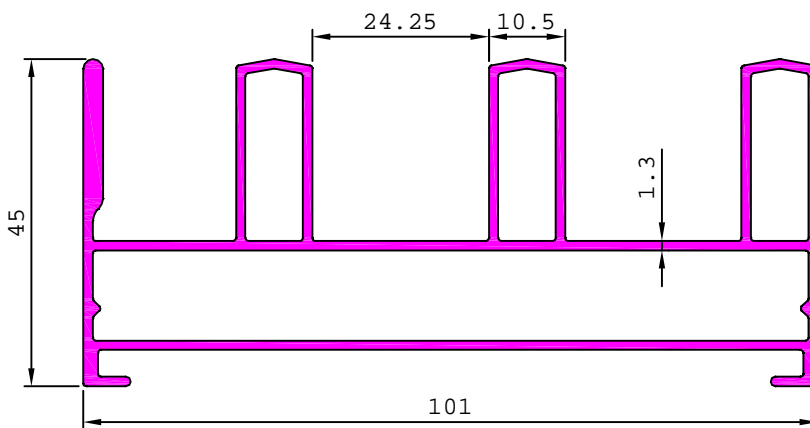
21864

1.630 kg/m



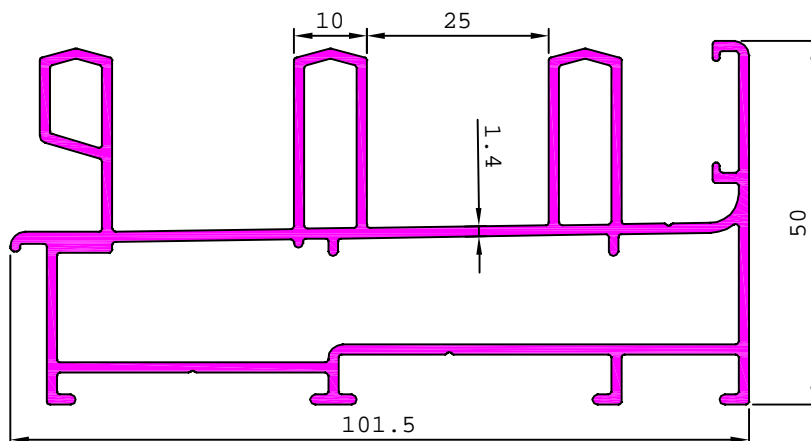
21805

1.648 kg/m



21489

1.798 kg/m

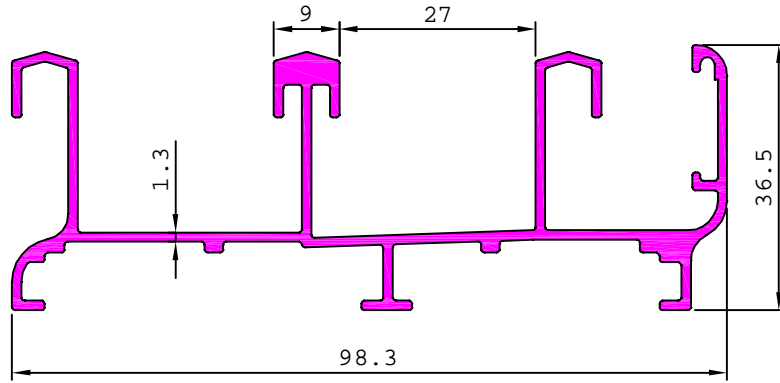


FRAME SECTION

DELUXE WINDOW

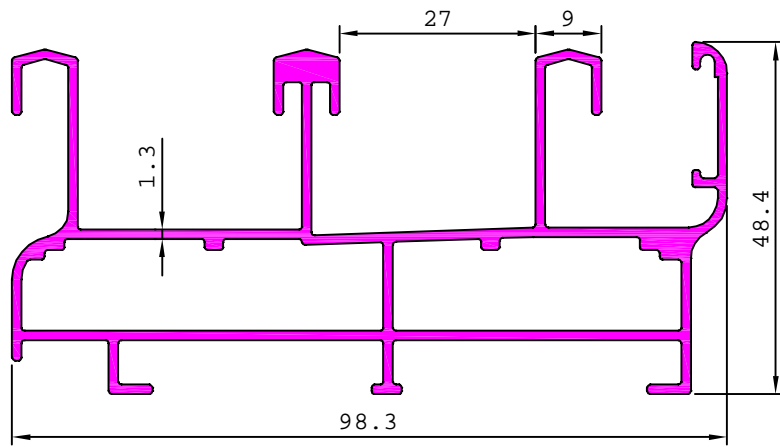
21757

1.136 kg/m



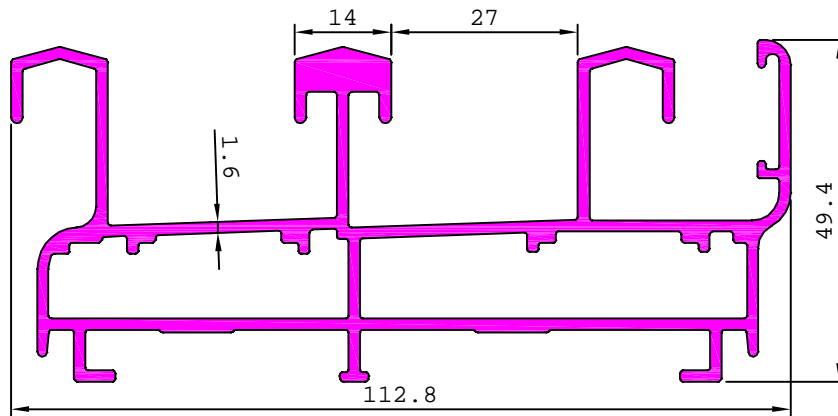
21756

1.587 kg/m



21808

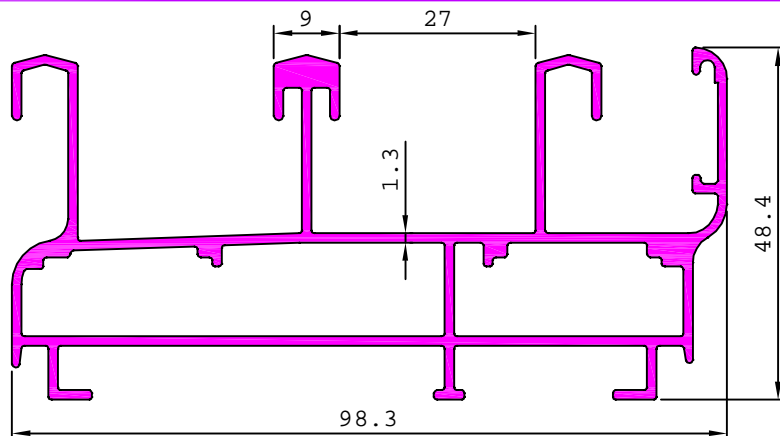
2.271 kg/m



MATCHING WITH 21747,41503

21869

1.622 kg/m

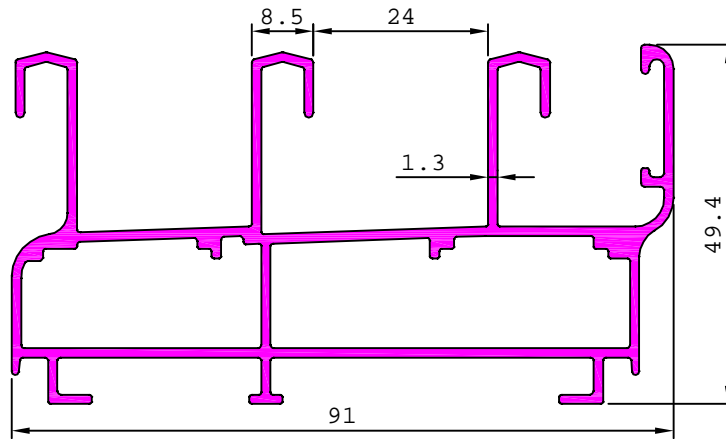


FRAME SECTION

DELUXE WINDOW

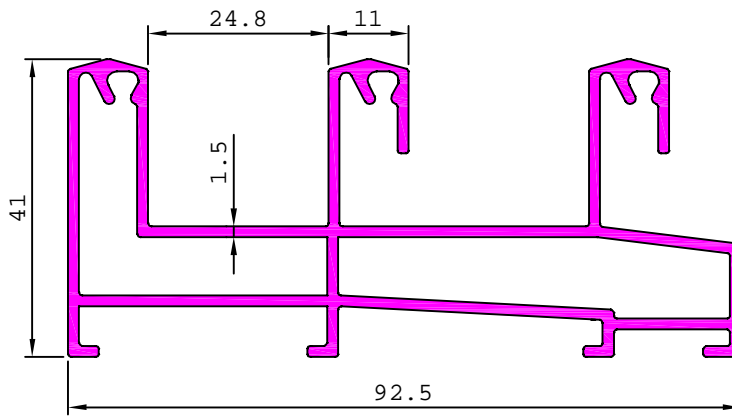
21821

1.509 kg/m



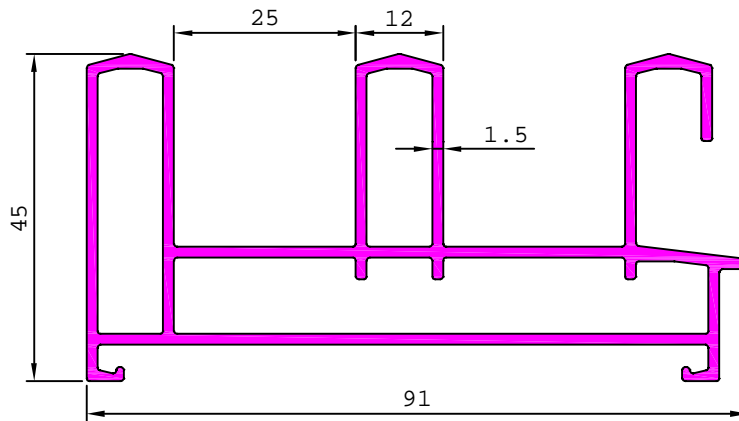
21166

1.569 kg/m



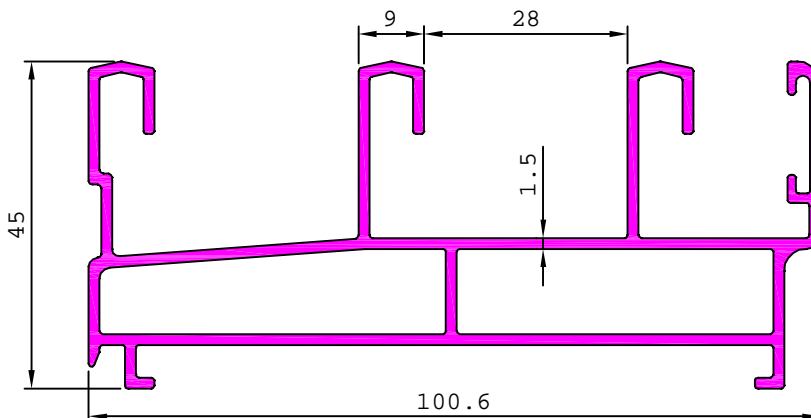
21401

1.591 kg/m



21242

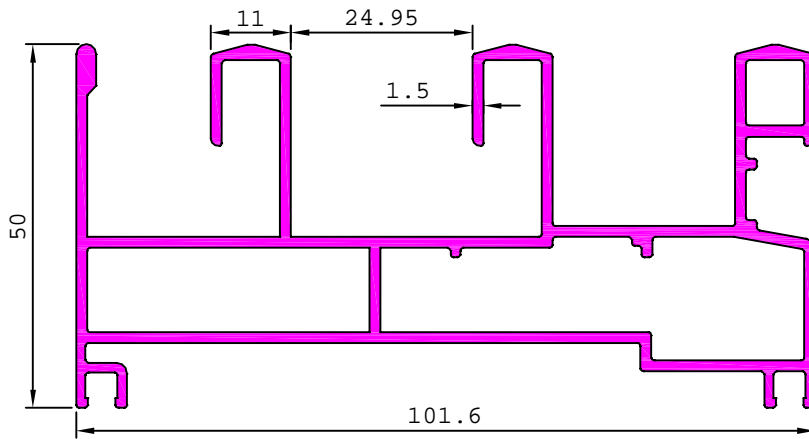
1.630 kg/m



FRAME SECTION

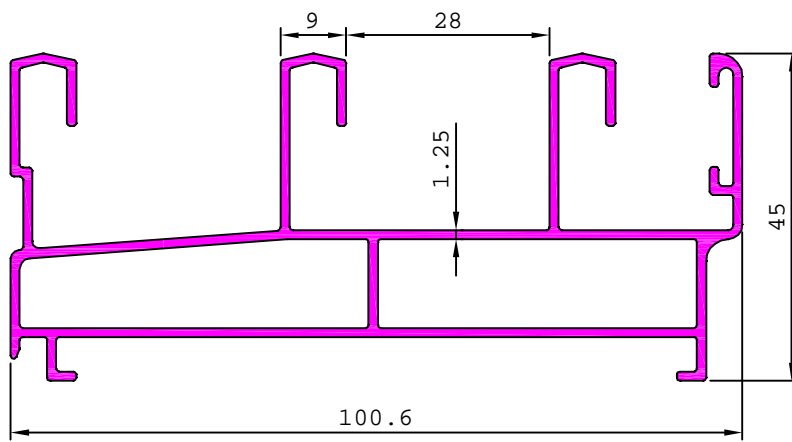
DELUXE WINDOW

21369



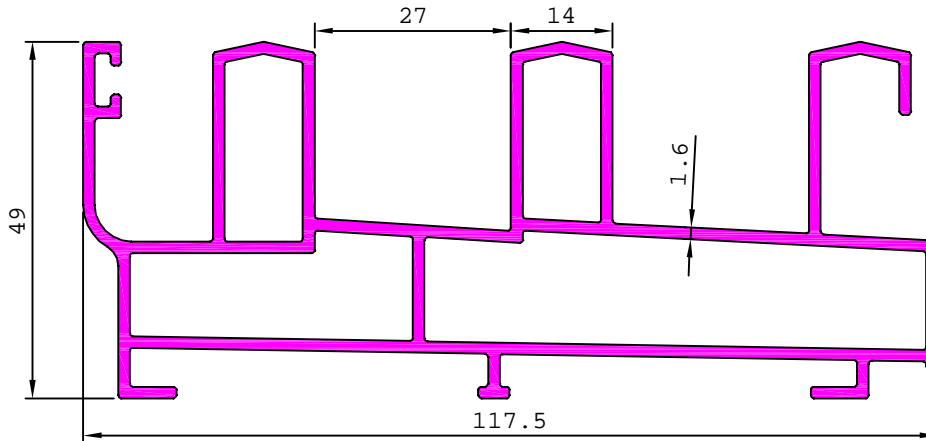
1.860 kg/m

21716



1.385 kg/m

21569

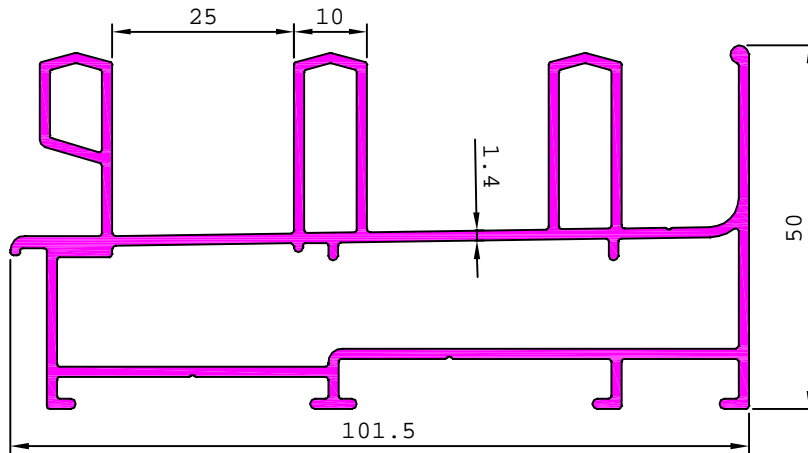


2.193 kg/m

FRAME SECTION

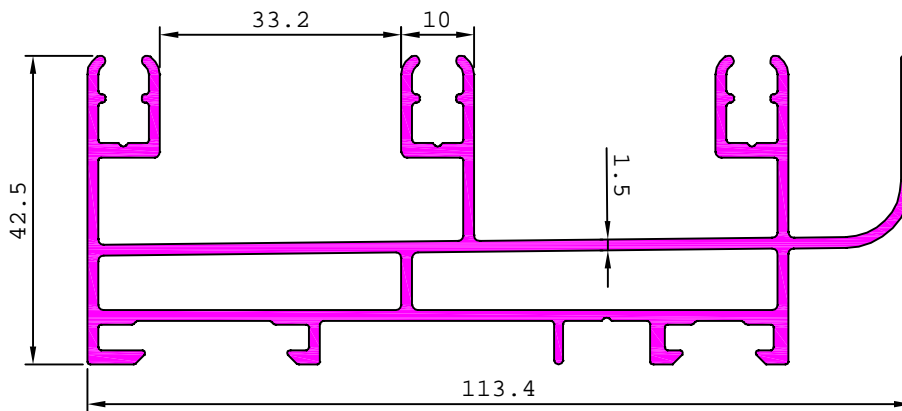
DELUXE WINDOW

21906



1.770 kg/m

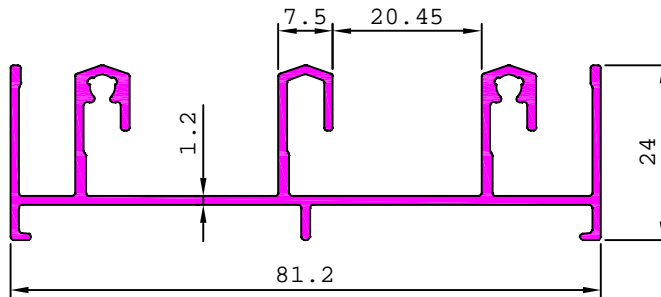
S5533



1.873 kg/m

MATCHING WITH S5535

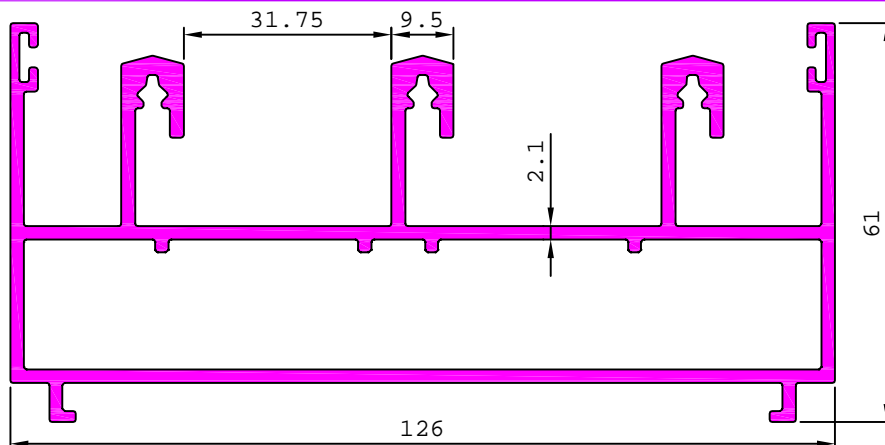
21903



0.780 kg/m

MATCHING WITH S5457, S5458 & S5459

21824



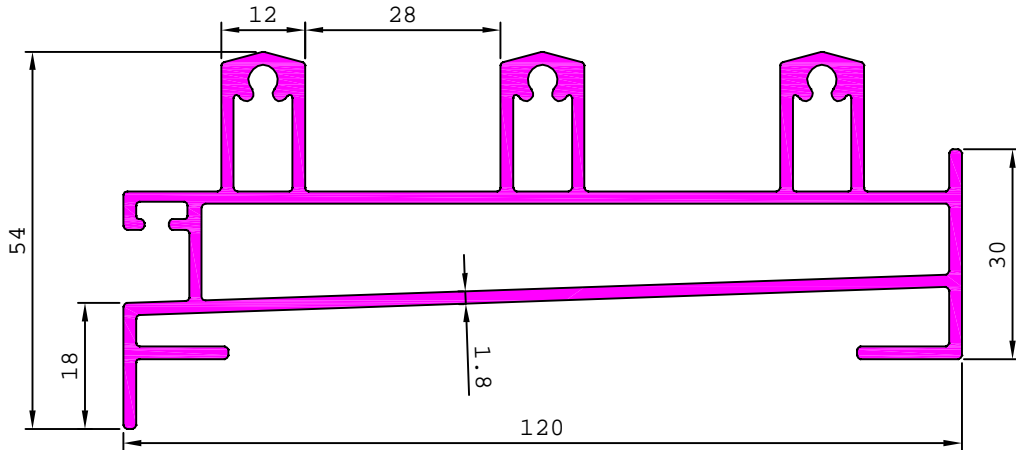
2.999 kg/m

FRAME SECTION

DELUXE WINDOW

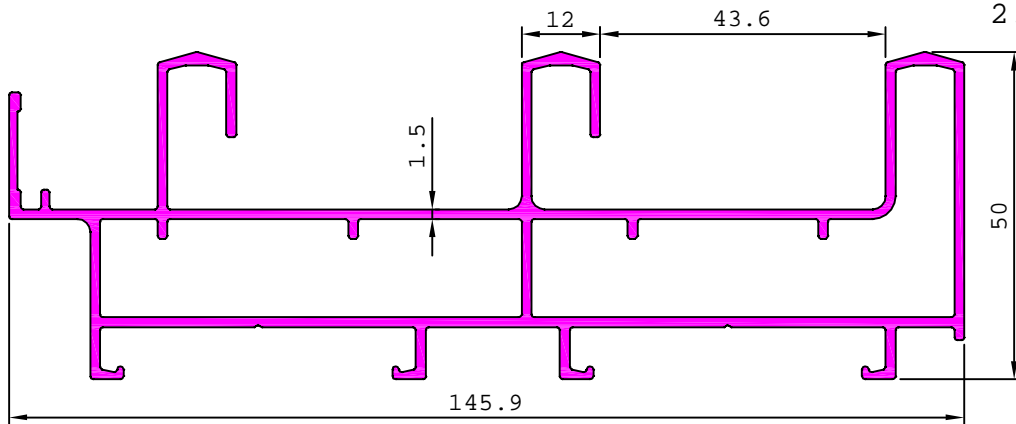
21190

2.429 kg/m



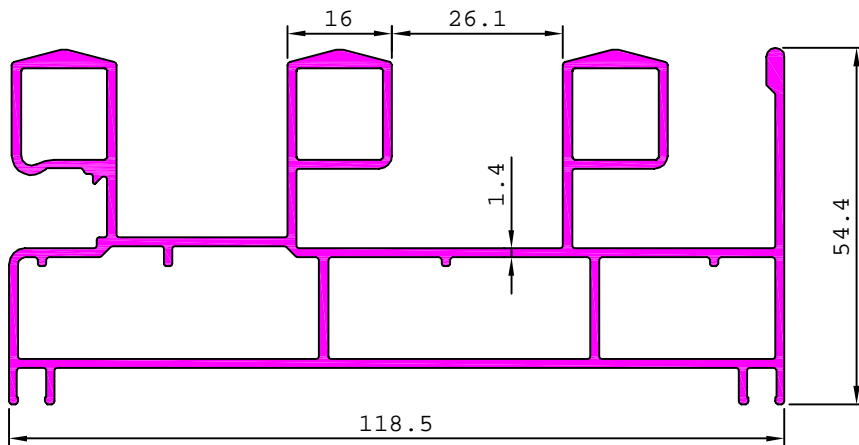
21428

2.183 kg/m



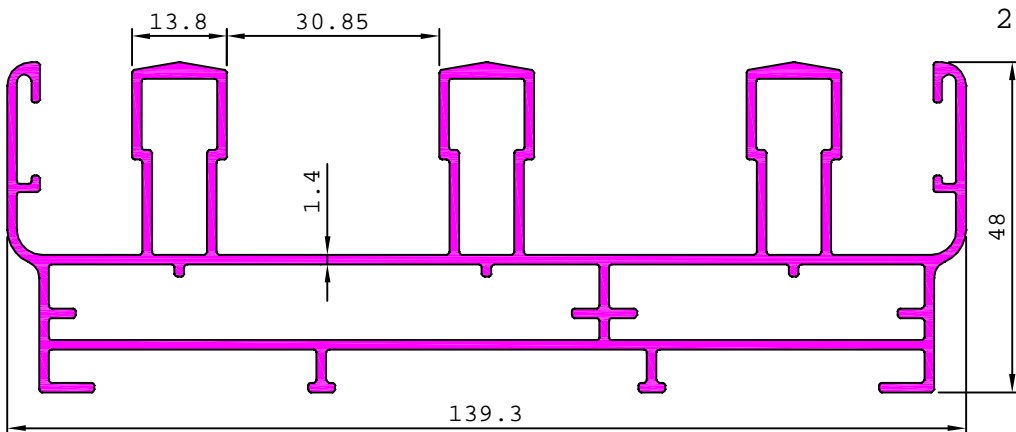
21360

2.254 kg/m



21480

2.480 kg/m

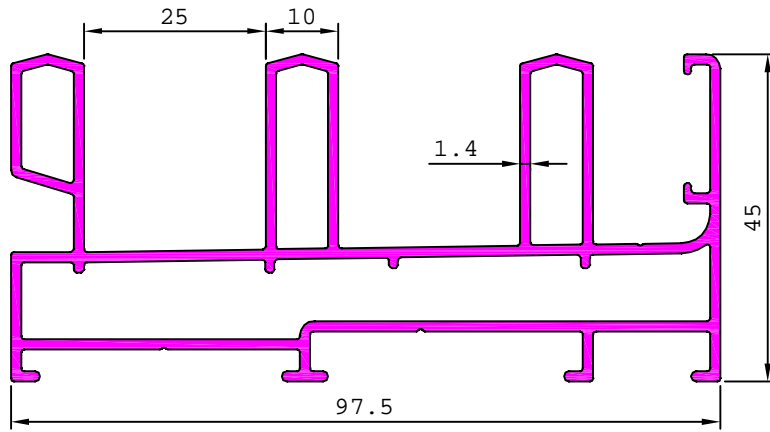


FRAME SECTION

DELUXE WINDOW

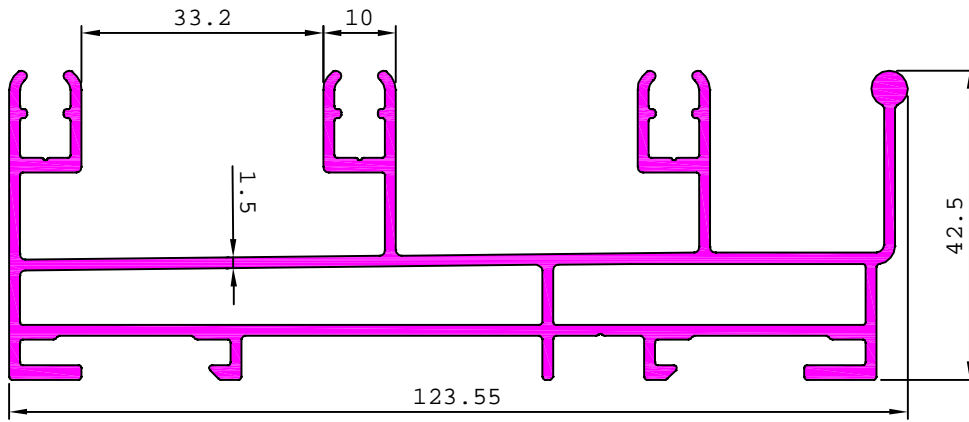
S6318

1.762 kg/m



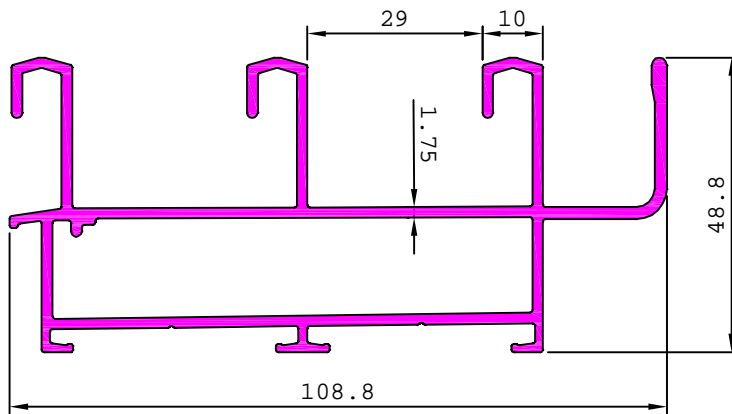
21911

2.099 kg/m



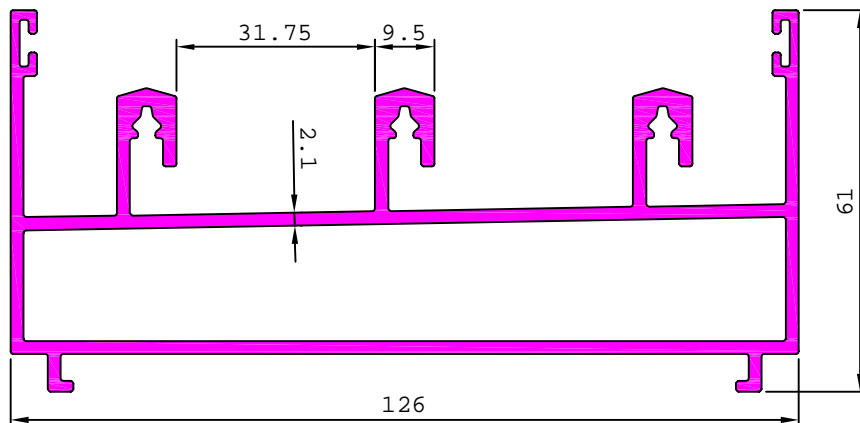
S6620

1.880 kg/m



21913

2.850 kg/m

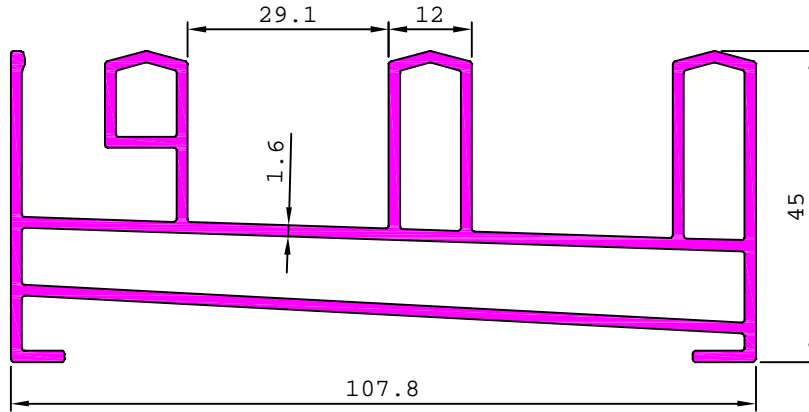


FRAME SECTION

DELUXE WINDOW

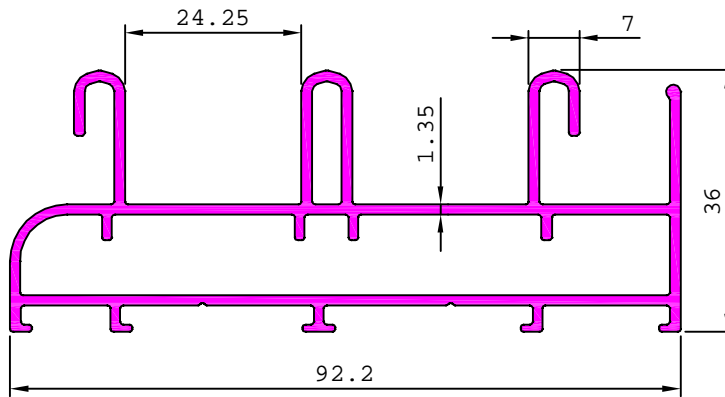
21923

1.985 kg/m



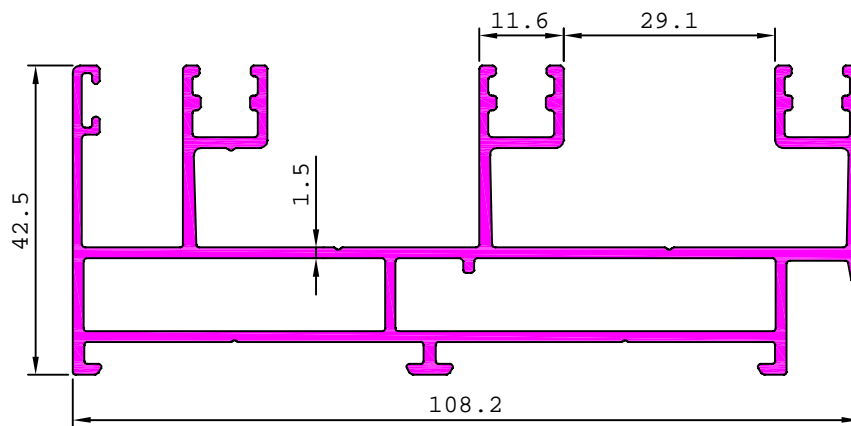
21931

1.358 kg/m



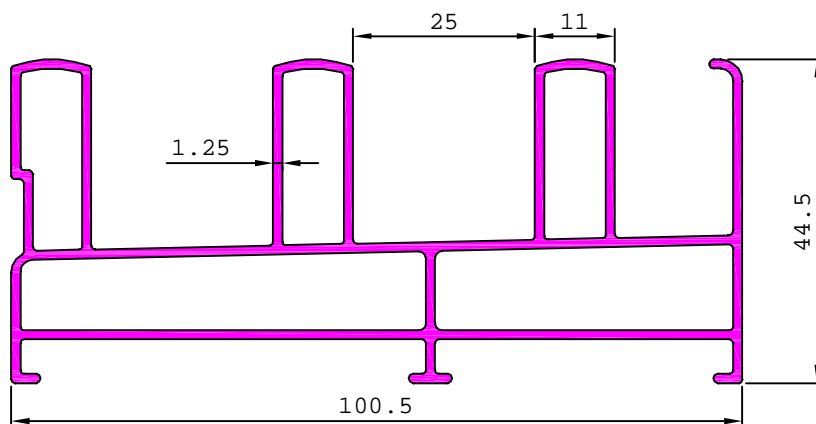
21960

1.772 kg/m



21964

1.565 kg/m

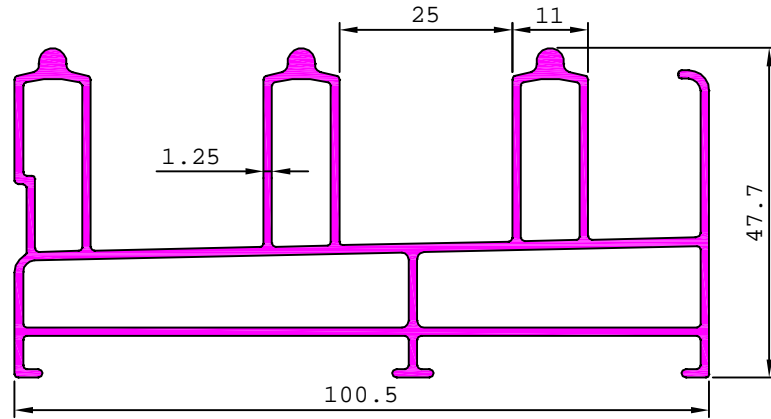


FRAME SECTION

DELUXE WINDOW

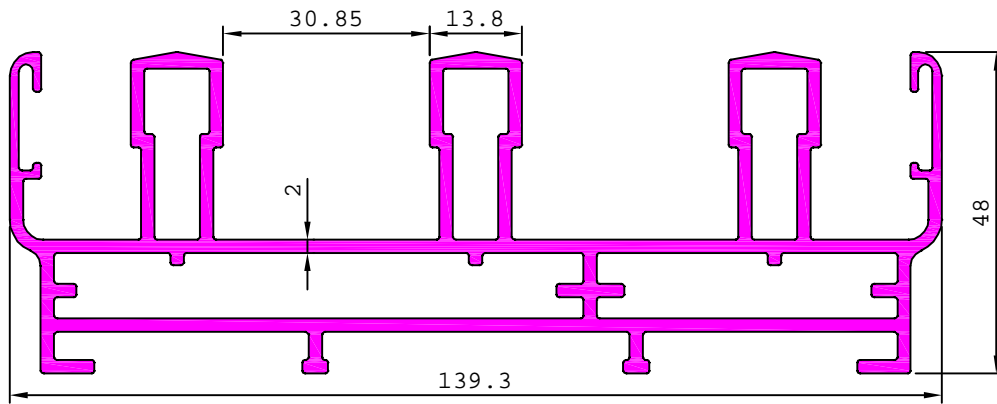
21965

1.658 kg/m



21978

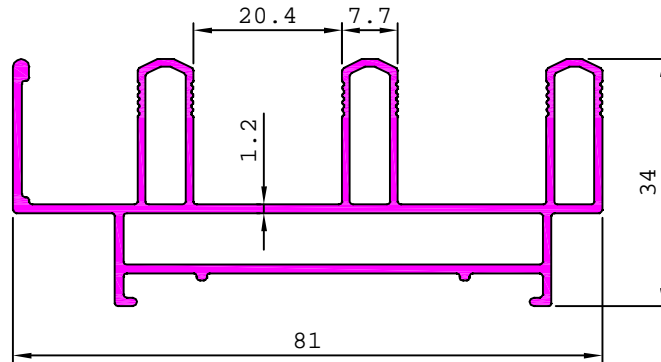
3.327 kg/m



MATCHING WITH 21977, 41547

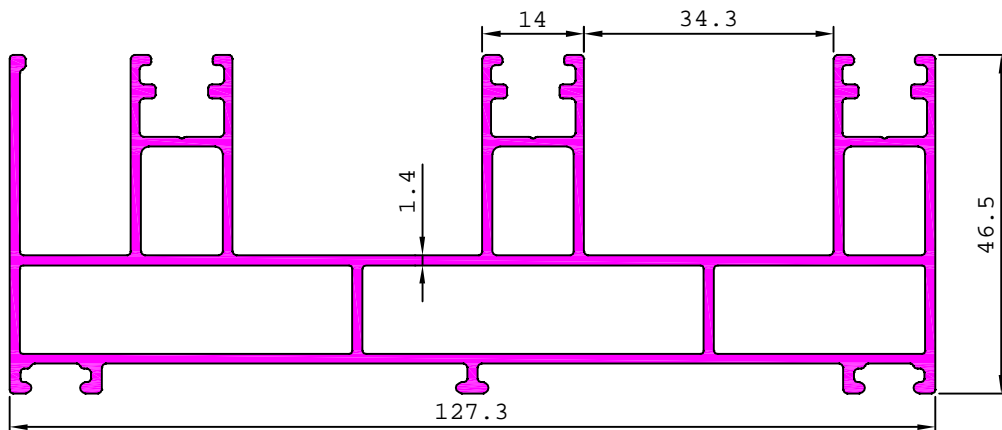
S6764

1.004 kg/m



G100174

2.175 kg/m

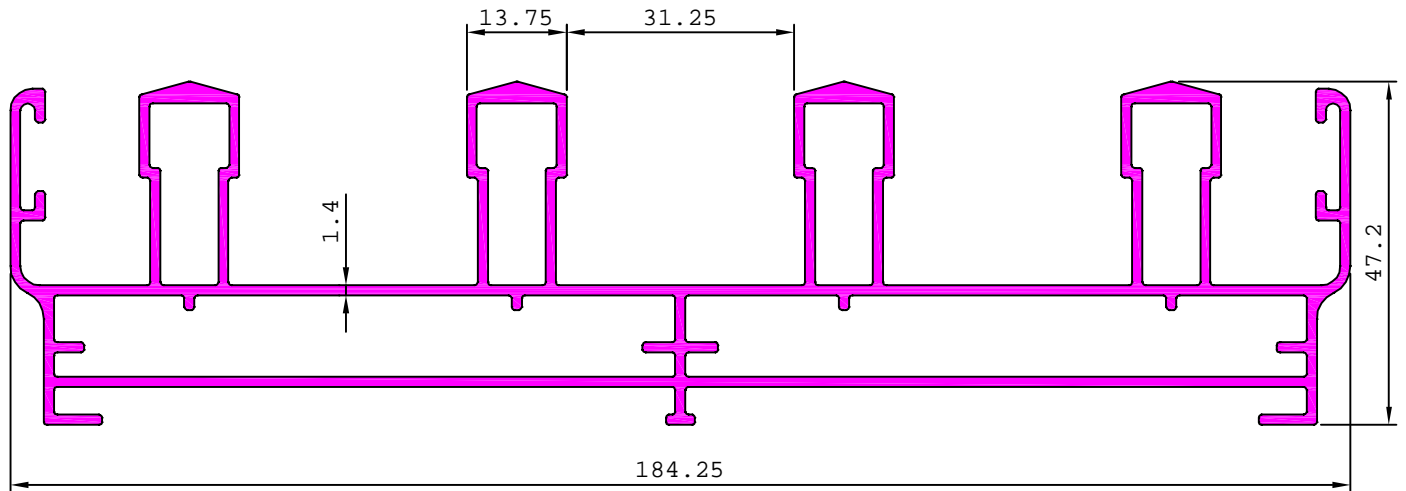


FRAME SECTION

DELUXE WINDOW

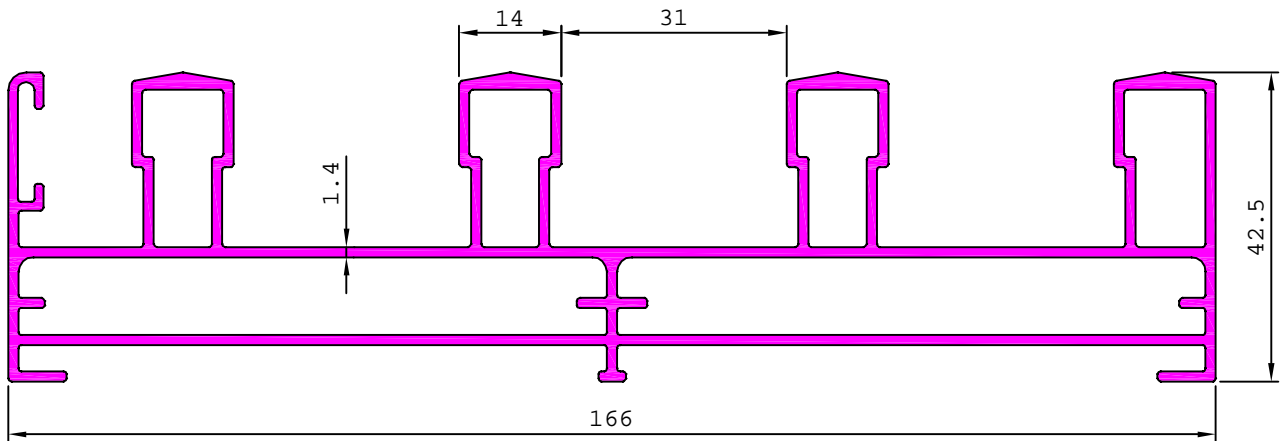
21497

3.109 kg/m



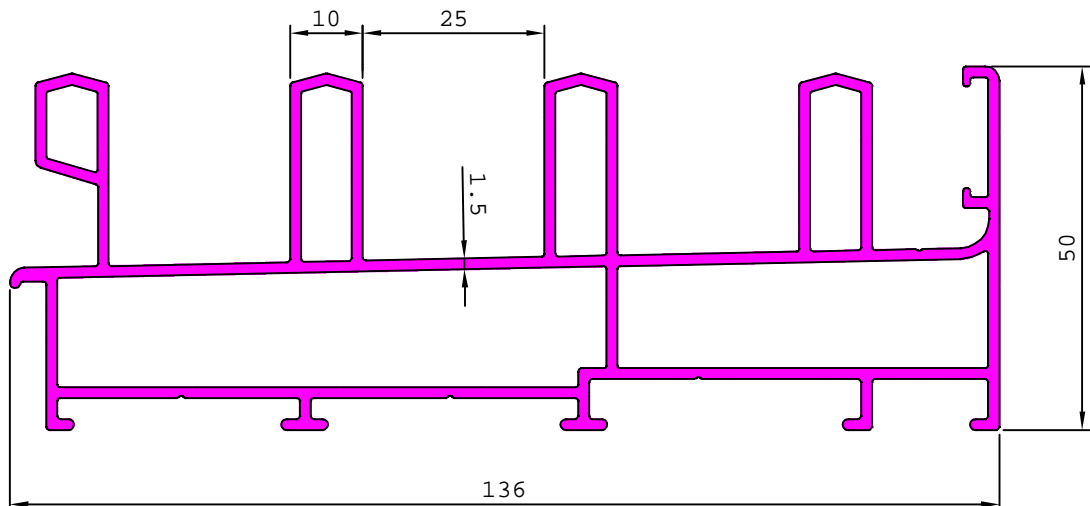
21791

2.655 kg/m



21488

2.466 kg/m

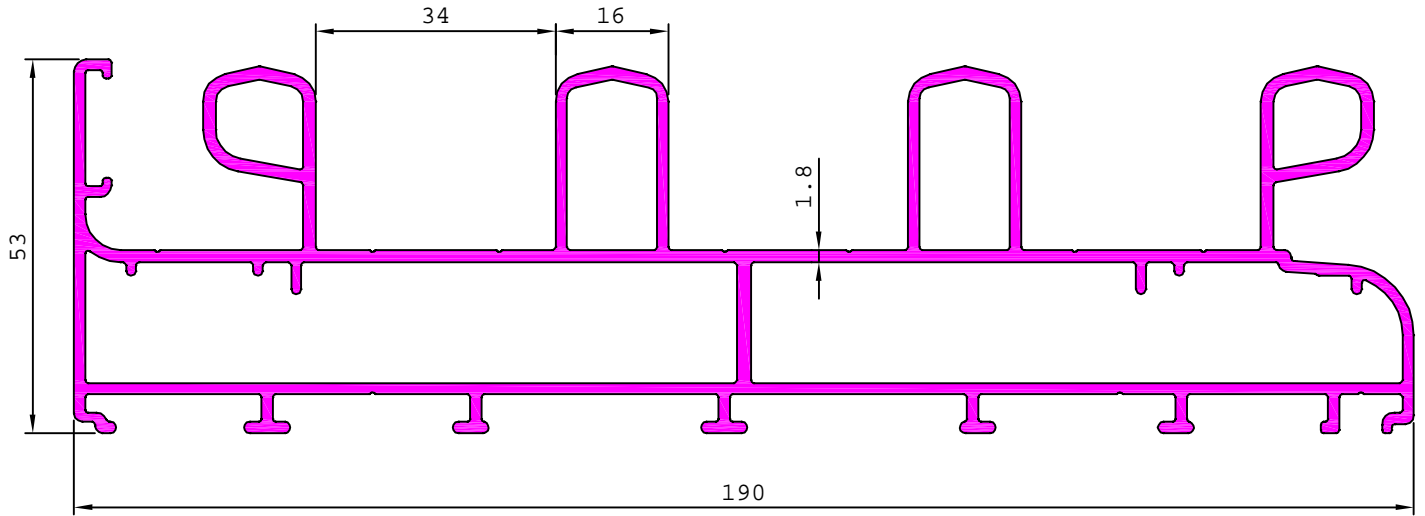


FRAME SECTION

DELUXE WINDOW

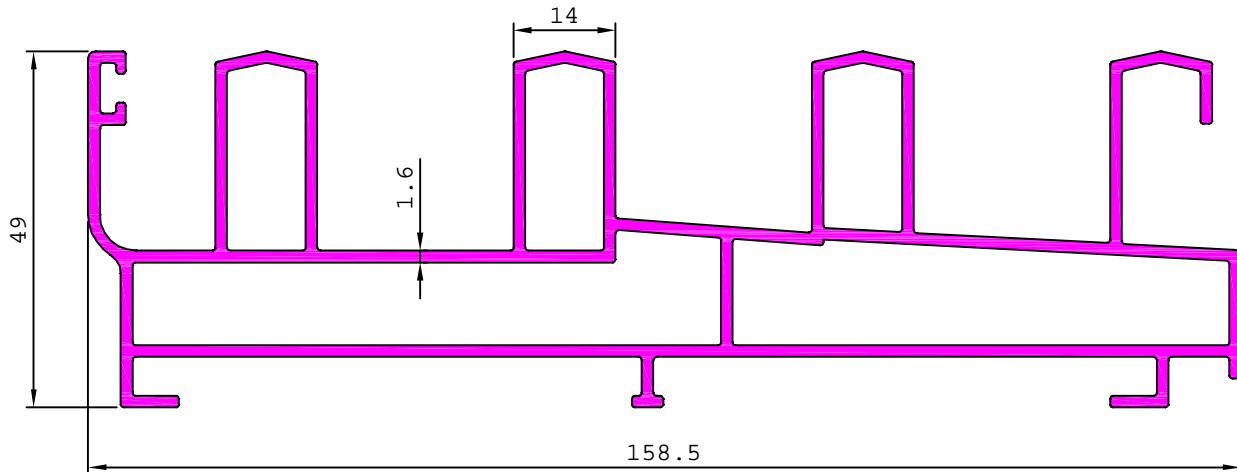
21498

3.582 kg/m



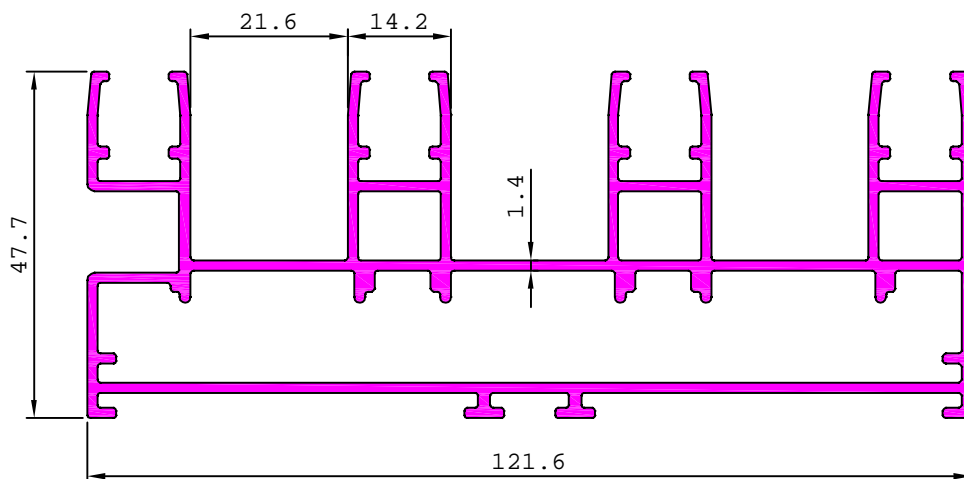
21558

2.829 kg/m



21644

2.337 kg/m

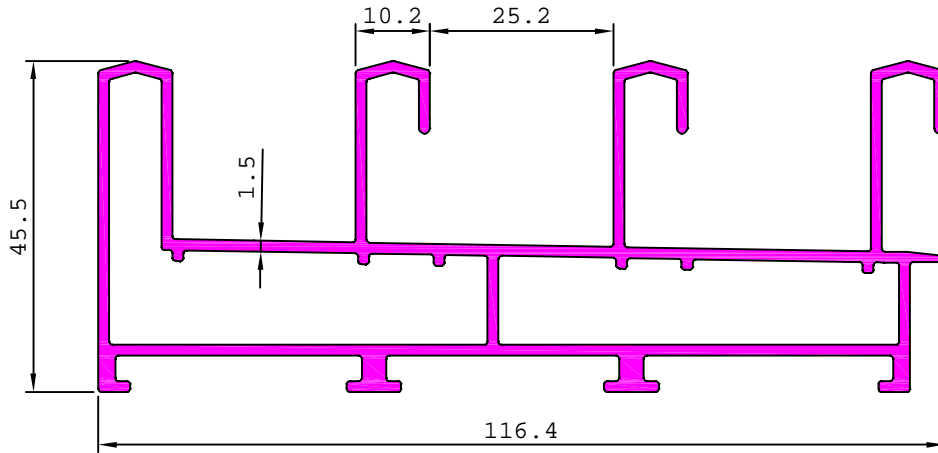


FRAME SECTION

DELUXE WINDOW

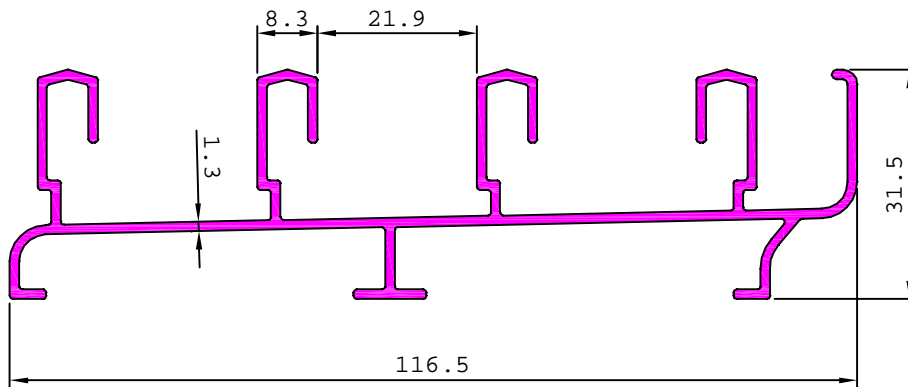
21976

1.990 kg/m



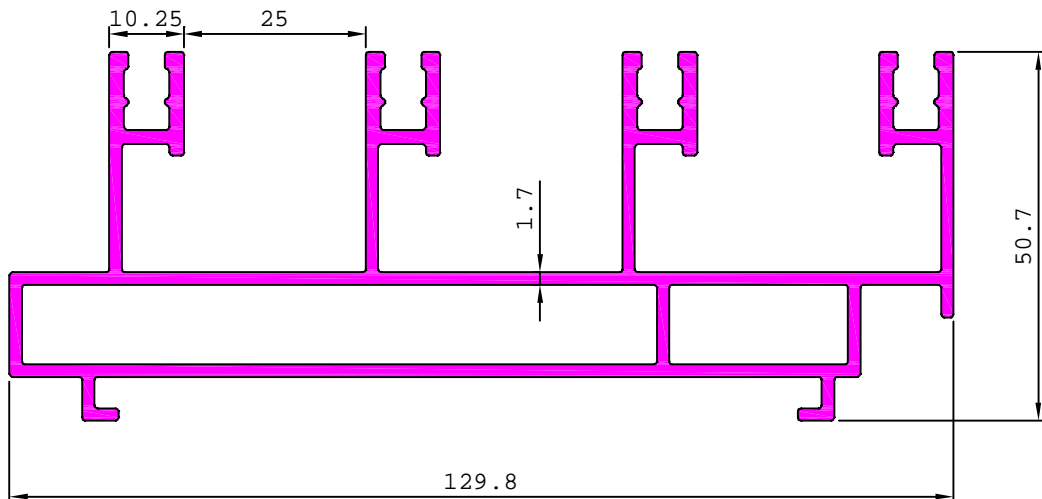
46002

1.143 kg/m



G100854

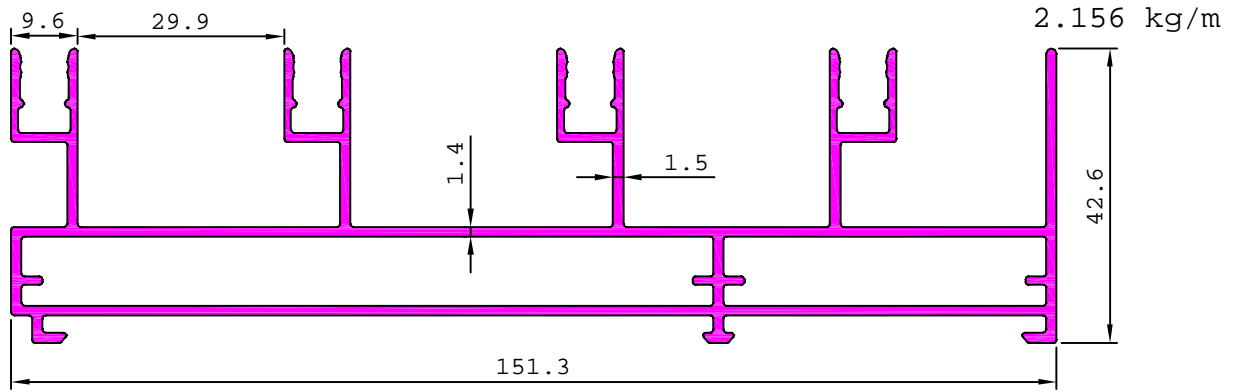
2.476 kg/m



FRAME SECTION

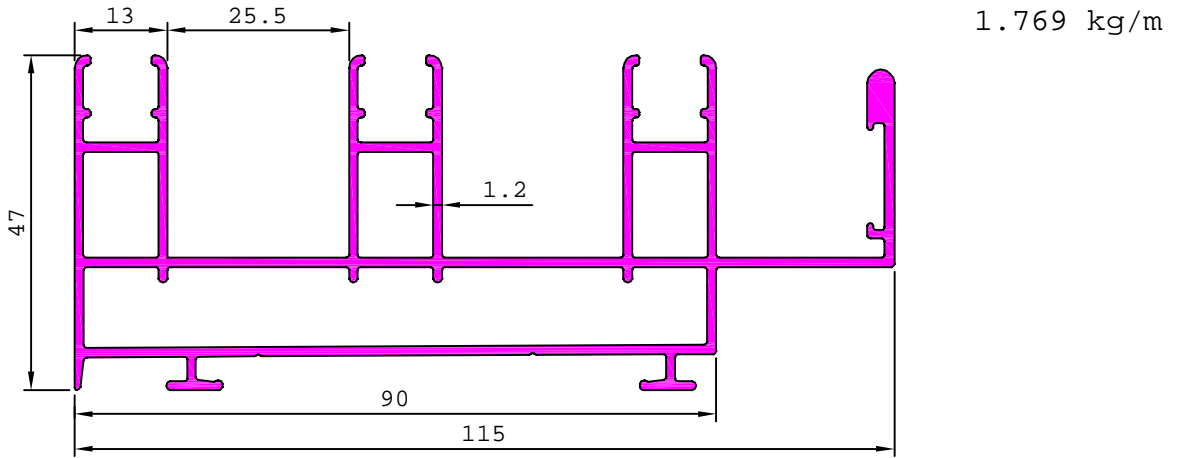
DELUXE WINDOW

G100912



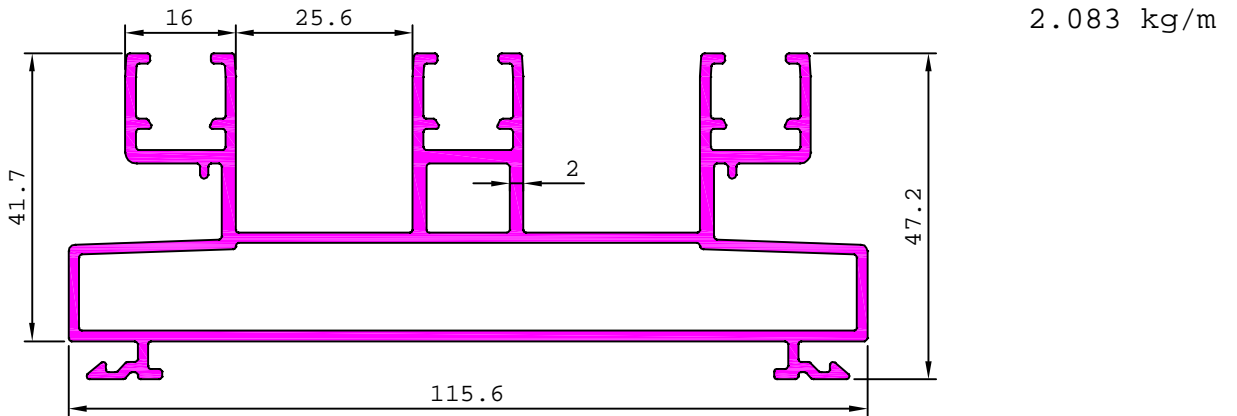
MATCHING WITH X3048

G101053

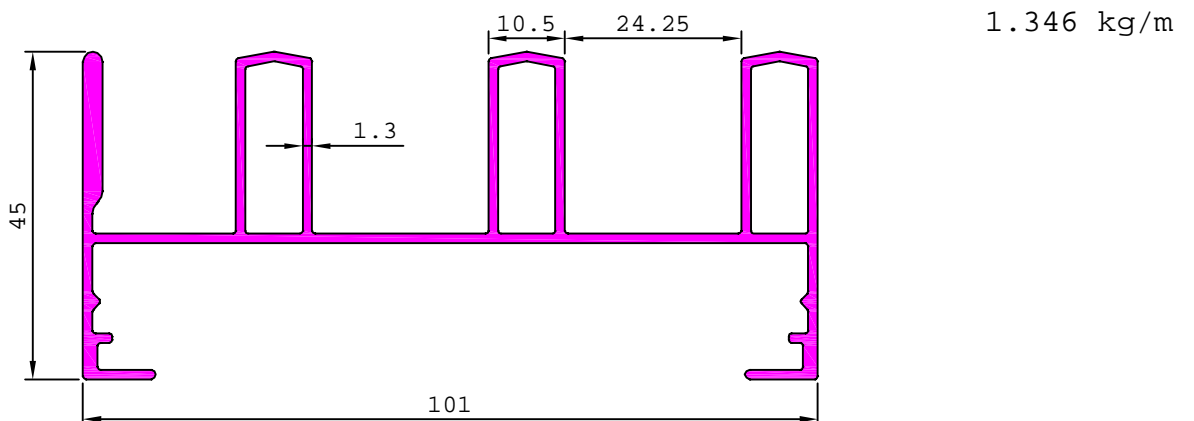


MATCHING WITH G101065

G100609

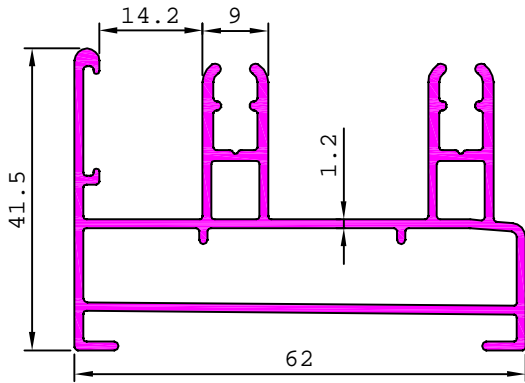


G101564



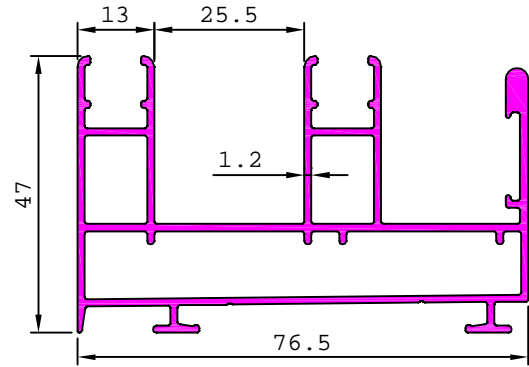
FRAME SECTION DELUXE WINDOW

G101054 1.029 kg/m



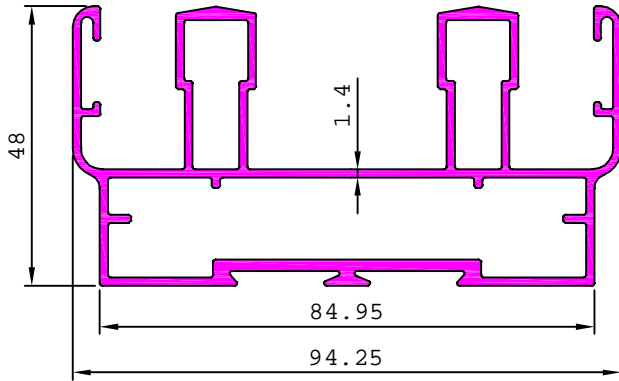
MATCHING WITH G101055

G101060 1.322 kg/m

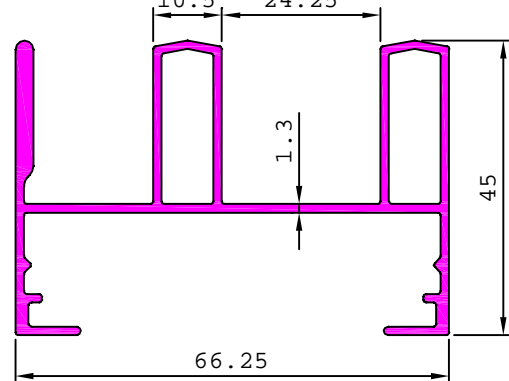


MATCHING WITH G101065

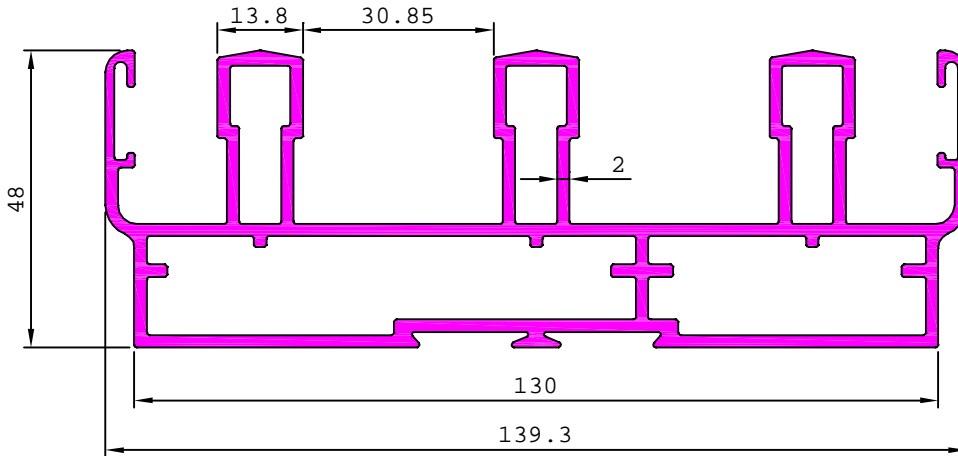
G101280 1.829 kg/m



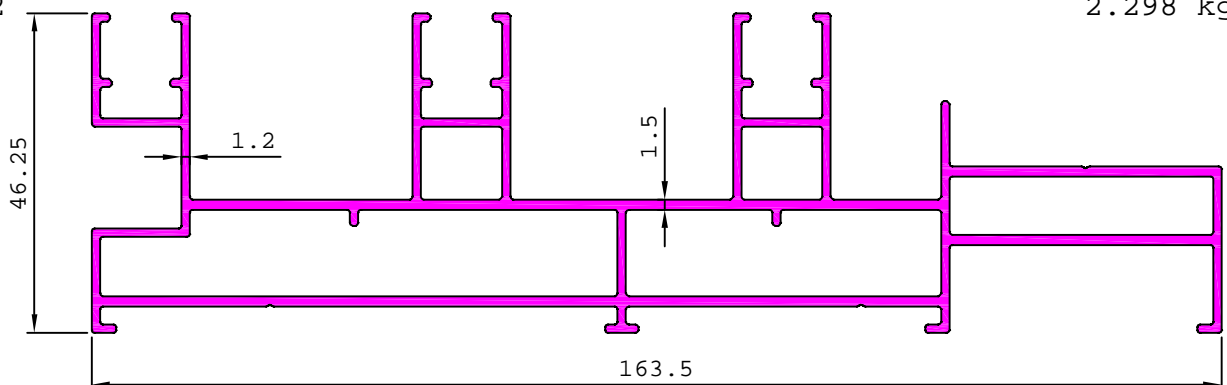
G101565 1.026 kg/m



G101361 3.277 kg/m



G102622 2.298 kg/m

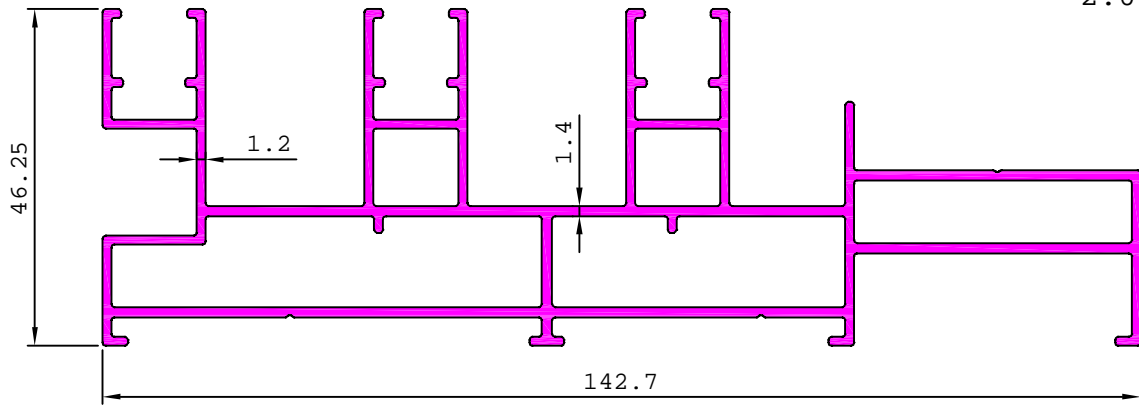


FRAME SECTION

DELUXE WINDOW

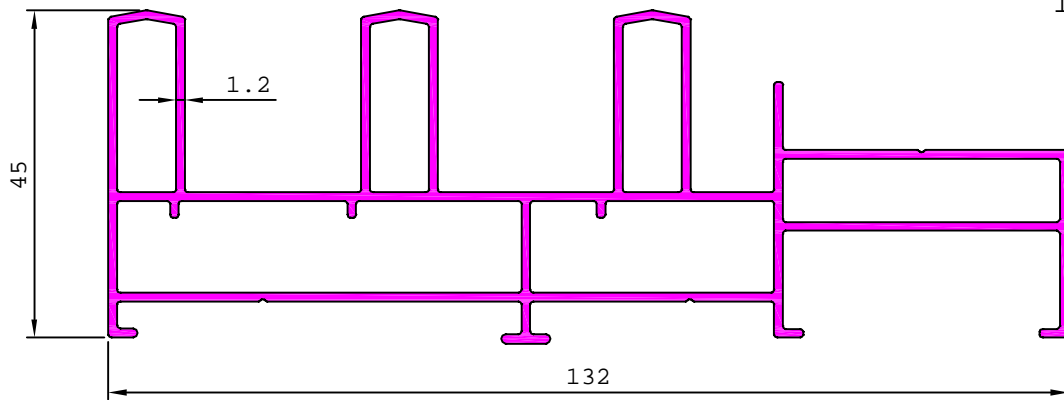
G102623

2.068 kg/m



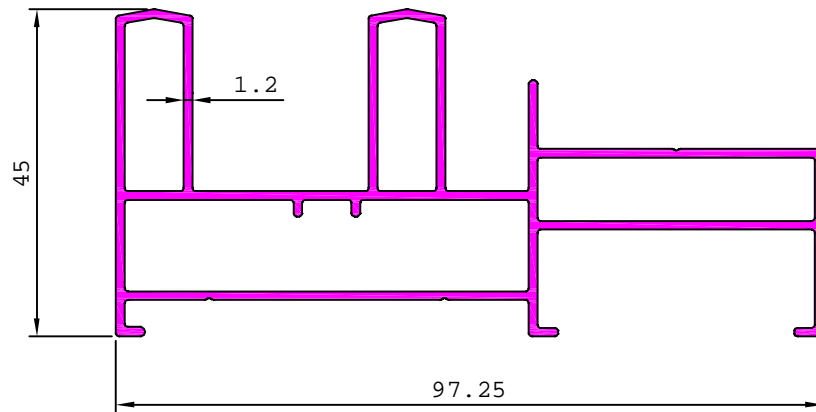
G102626

1.774 kg/m



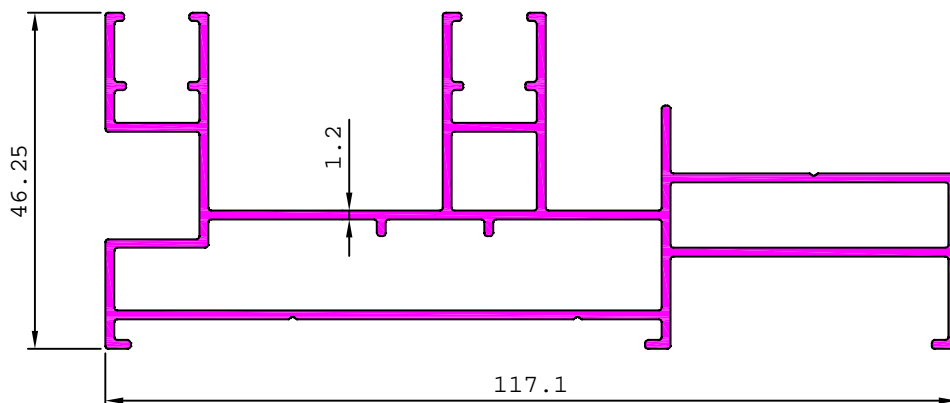
G102625

1.278 kg/m



G102620

1.453 kg/m

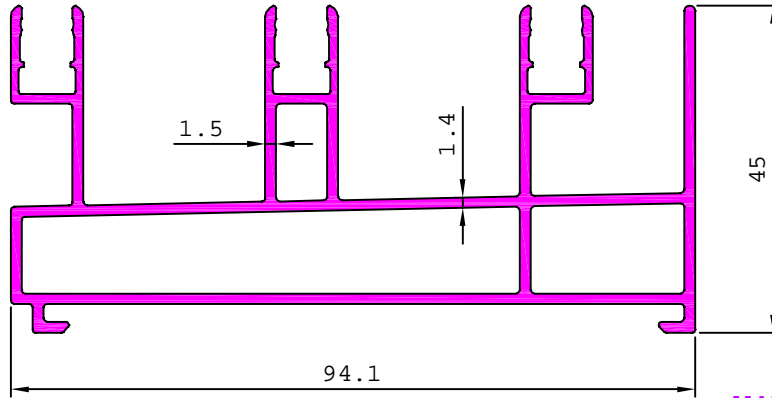


FRAME SECTION

DELUXE WINDOW

G102656

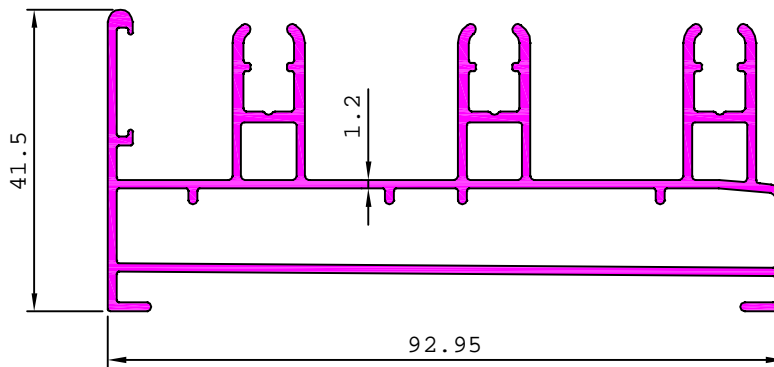
1.588 kg/m



MATCHING WITH G102662

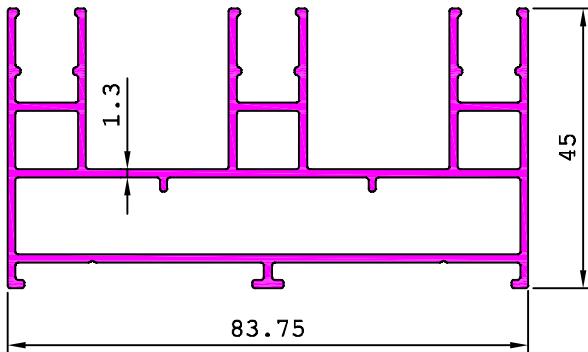
G102669

1.447 kg/m



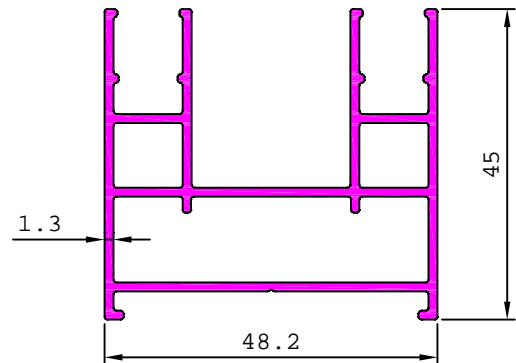
G102619

1.433 kg/m



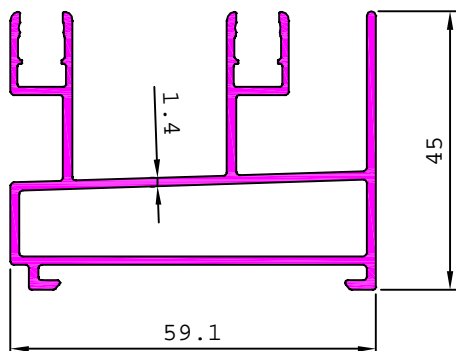
G102621

0.930 kg/m



G102655

1.046 kg/m

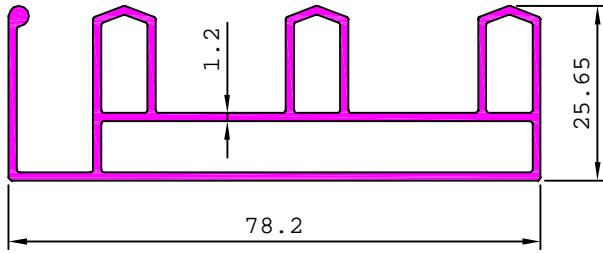


MATCHING WITH G102662

FRAME SECTION DELUXE WINDOW

G102755

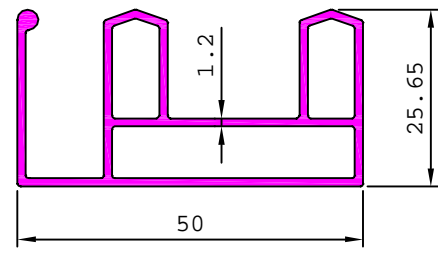
0.955 kg/m



MATCHING WITH G102753

G102754

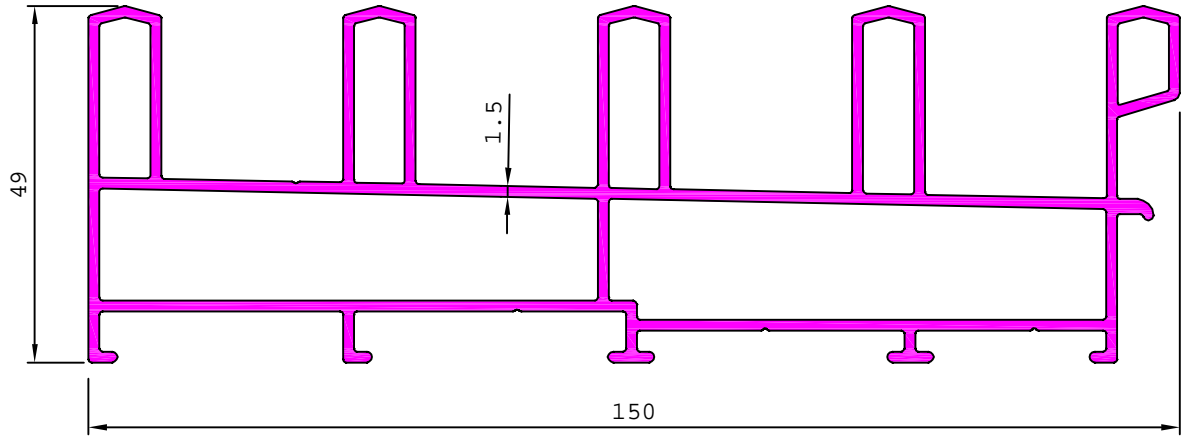
0.655 kg/m



MATCHING WITH G102753

G103301

2.629 kg/m



G104241

2.059 kg/m

